

Overview

Combine sophisticated sound and design in compact surface-mount speakers that will make a significant contribution to the most refined, elegant spaces.



Features

- Optimized for Background Music
- A Sublime Blend of Function and Elegance
- A Range of Installation Options
- Newly developed 1.5-inch full-range driver unit
- Designed for Lo-Z connections
- Wide 170° horizontal and vertical dispersion
- Compact 62mm x 62mm form blends unobtrusively with any décor
- Dedicated wall/ceiling mount hardware supplied
- Black and white models available
- Paintable enclosures and grilles

Specifications

General Specifications

System Type		Full-range, Acoustic suspension
Components	LF	1.5" Cone
	HF	
Frequency Range	(-10dB)	180Hz-20kHz
Coverage Angle (Horizontal x Vertical)		170° x 170°
Nominal Impedance		8Ω
Power Rating	NOISE	5W
	PGM	10W
	MAX	20W
Sensitivity (1W, 1m)		79dB SPL ¹
Maximum SPL (Calculated, 1m)		92dB SPL ²
Connectors		Euroblock (2 pin) × 1
Material, Finish, Color		Black, White
Dimensions (W x H x D)		62mm x 62mm x 82mm (2.4" x 2.4" x 3.2")
Net Weight		0.17kg (0.37lbs)
Packaging		Single
Certificate		UL1480, NFPA70, CE, RoHS

*1 Full-space (4π) (300Hz-10kHz)

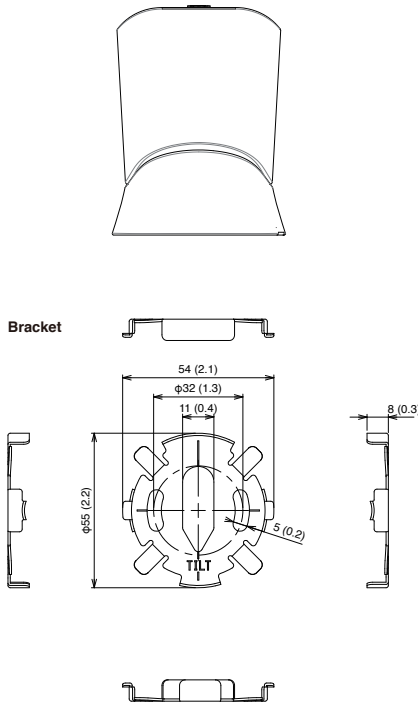
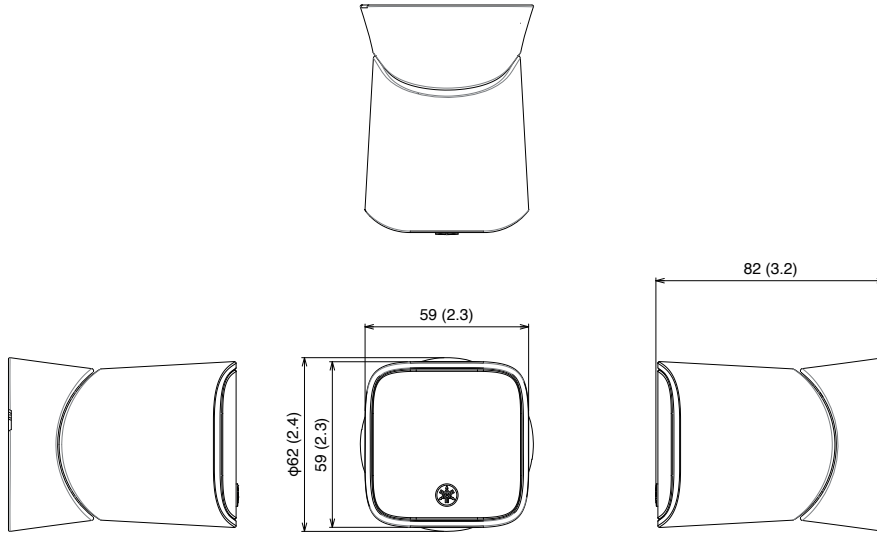
*2 Calculated based on power rating and sensitivity, exclusive of power compression

Accessories

Included Accessories	Wall/Ceiling Bracket
Optional Accessories	CMA1M, RMA1M

Dimensions

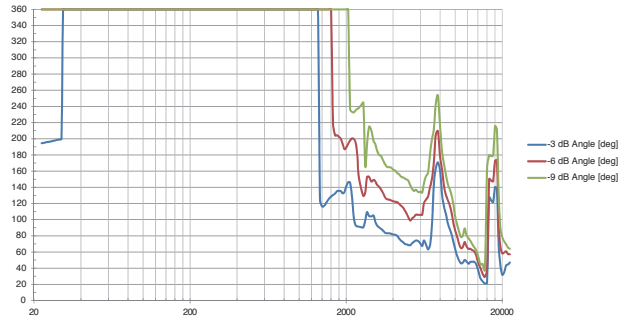
Unit: mm (inch)



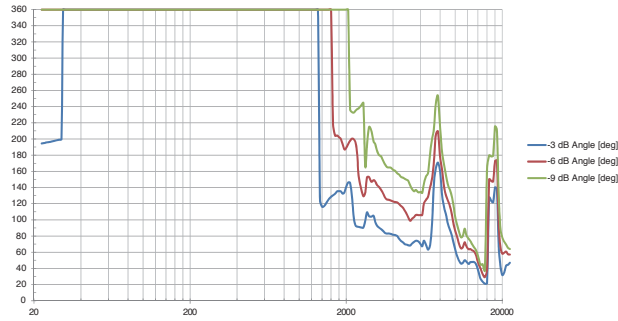
Architectural and Engineering Specifications

The loudspeaker shall be of surface-mount design, a Full-range, Acoustic suspension type. The loudspeaker shall consist of 1.5" (3.75cm) cone driver. The speaker shall be rated at 8 ohms. The power rating shall be 10W into 8 ohms. The loudspeaker shall be capable of meeting the following performance criteria: The measured sensitivity shall be 79dB SPL (at 1W, 1m, in full-space); The maximum SPL shall be 92dB SPL (at 1m); The frequency range shall be 180Hz-20kHz (10dB below rated sensitivity, in full-space); The nominal coverage angle shall be 170° horizontal and 170° vertical. The 2-pin Euroblock connector shall be provided for an input. The cabinet and baffle shall be constructed of ABS. The grille shall be constructed of 0.5mm-thick powder coated perforated steel, with an aperture ratio of 58%. The grille shall have the following color variation: black-painted (VXS1MLB) or white-painted (VXS1MLW). The loudspeaker shall be 62mm (2.5") wide, 62mm (2.5") high, and 82mm (3.3") deep. The weight shall be no more than 0.17kg (0.4lbs). The loudspeaker shall have included accessories as follows: The bracket shall allow the loudspeaker to be mounted onto both walls and ceilings. The loudspeaker shall be the Yamaha VXS1MLB or VXS1MLW.

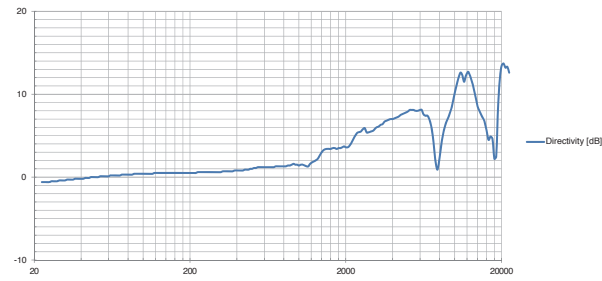
Horizontal Beam Width



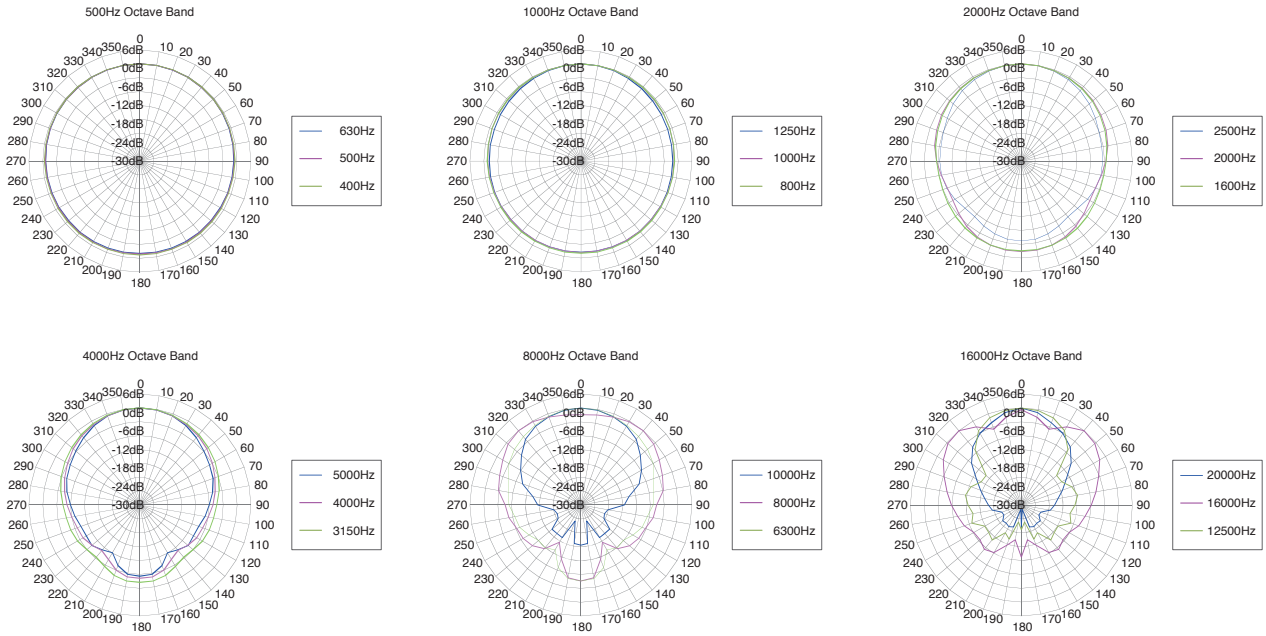
Vertical Beam Width



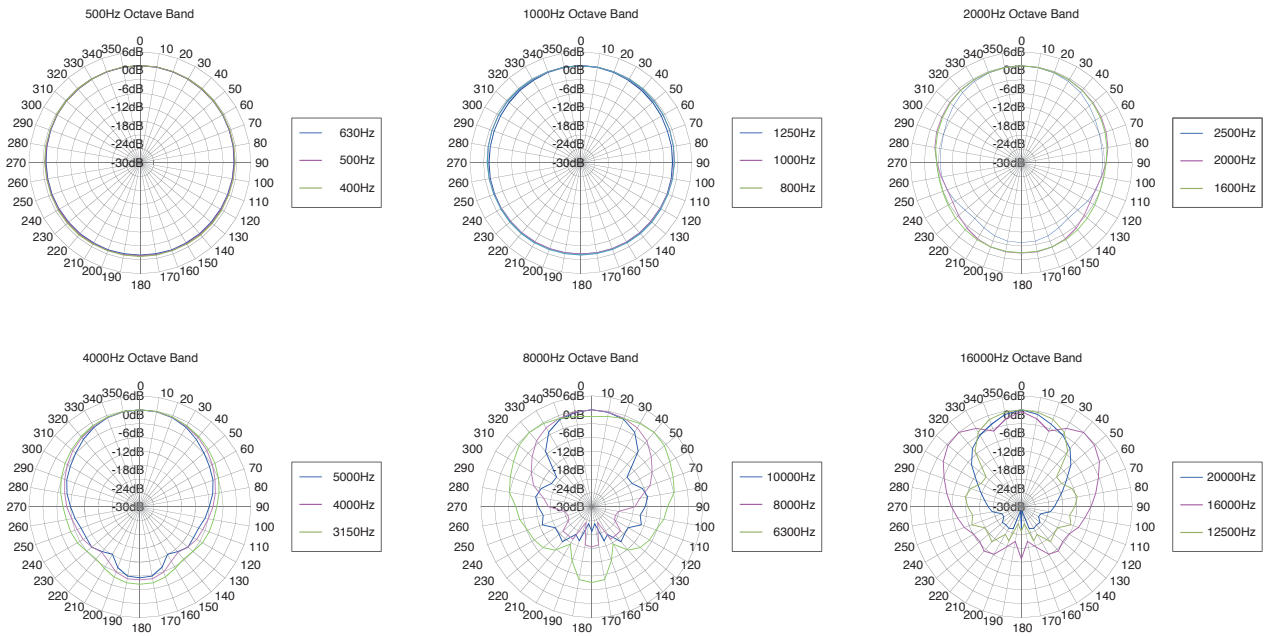
Directivity Index



Horizontal Polar Plots



Vertical Polar Plots



*All information subject to change without notice.

*All trademarks and registered trademarks are property of their respective owners.

Created in December, 2017

YAMAHA CORPORATION
P.O.BOX 1, Hamamatsu Japan
www.yamaha.com/proaudio/