

NS-6900/NS-7900/NS-P7900

Speaker System

Thank you for choosing this YAMAHA speaker system.

Each speaker set consisting of the components shown on the table.

NS-6900		Front speaker	x 1
NS-7900		Front speaker	x 1
NS-P7900	NS-C7900	Center speaker	x 1
	NS-E7900	Surround speaker	x 2

PRECAUTIONS

■ Read this before using the speaker

- Any time you note distortion, reduce the volume control on your amplifier to a lower setting. Never allow your amplifier to be driven into "clipping". Otherwise the speaker may be damaged.
- When using an amplifier with a rated output power higher than the nominal input power of the speaker, care should be taken never to exceed the speaker's maximum input.
- Do not attempt to clean the speaker with chemical solvents as this might damage the finish. To clean, wipe with a dry, soft cloth.
- To prevent the enclosure from warping or discoloring, do not place the speaker where it will be exposed to direct sunlight or excessive humidity.

- When the front cover is removed, take care not to touch the speaker units with your hands or to exert excessive force with tools.
- Do not place the speaker where it is liable to be knocked over or struck by falling objects. Stable placement will also ensure better sound performance.
- Secure placement or installation is the owner's responsibility. YAMAHA shall not be liable for any accident caused by improper placement or installation of the speaker.
- This speaker features a magnetically shielded design, but there is still a chance that placing it too close to a TV set might impair picture color. Should this happen, move the speaker away from the TV set.

PRECAUTIONS WHEN POSITIONING THE FRONT SPEAKERS

The speaker is constructed with the majority of the weight located in its upper portion, and is thus susceptible to falling over if proper care is not taken to insure its stability. If the speaker falls over, it may damage the speaker or be the cause of injury (or even death) to persons and/or damage to personal property.



■ For safe and proper use of the speaker:

- Position the speaker in a location that is solid, level, smooth, and low (with respect to the floor).
- Do not push or apply pressure to the side of the speaker when moving, or lean objects against the side of the speaker.
- Do not sit on or set objects on top of the speaker.

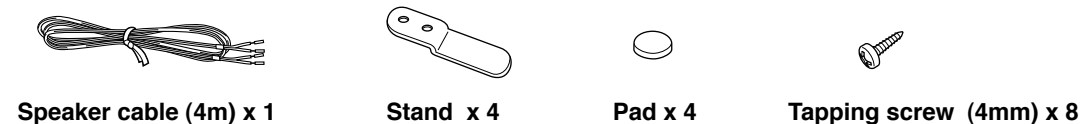
Vibrations or jolts associated with earthquakes and other phenomena or activities may cause the speaker to fall over. For safety reasons, using commercially available products that increase stability in the speaker is recommended (metal fittings or chains, etc.).

■ Use the stands included with the speaker to increase stability:

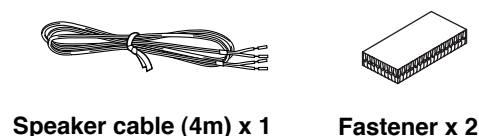
Be sure to use the stands regardless of where the speaker is positioned. Attaching the stands included with the speaker reinforces the base of the speaker not to fall over. Please be cautioned that even though the stands are connected, this does not guarantee that the speaker will not fall over.

SUPPLIED ACCESSORIES

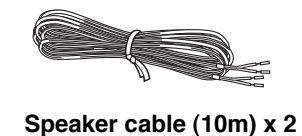
Front speaker (NS-6900/NS-7900)



Center speaker (NS-C7900)



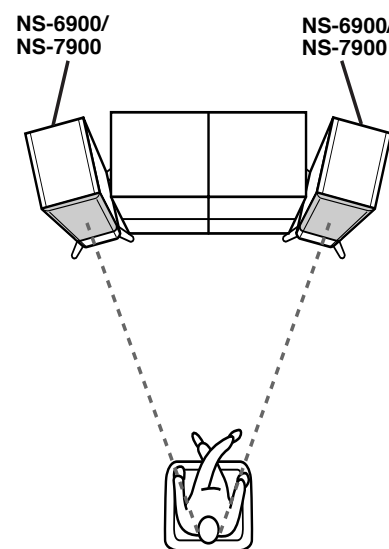
Surround speakers (NS-E7900)



SETTING UP THE SPEAKER

■ Using front speakers as 2ch stereo speakers

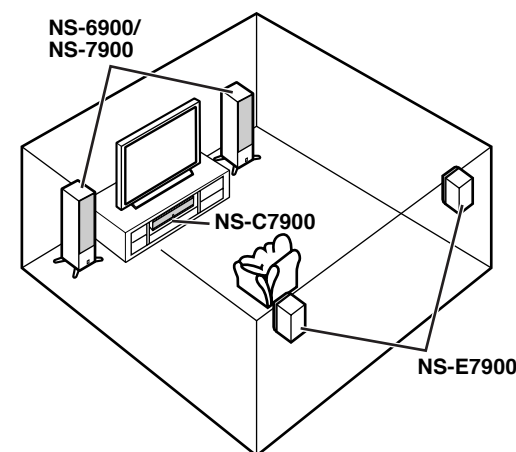
Better stereo images will be obtained when the front speakers are slightly angled in towards the listeners.



■ Using front/center/surround speakers in a multi channel system

Position the front speakers on both sides of the TV. The positioning of speakers is important, because it controls the whole sound quality of a multi channel system. Set up the speakers on the basis of your listening position by following the owner's manual supplied with your amplifier.

The following diagram shows the recommended speaker layout.

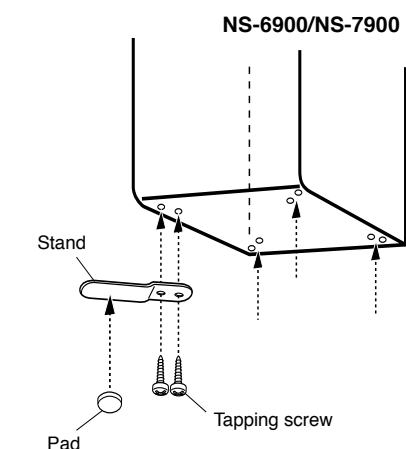


Note:
These speakers feature a magnetically shielded design, but there is still a chance that placing them too close to a TV set might impair picture color or create a buzzing noise. Should this happen, move the speaker away from the TV set.

PLACING THE SPEAKER

■ Attaching the stand to the front speaker

When positioning the front speaker, be sure to attach the supplied stand to the 8 specified holes located on the bottom of the speaker to increase stability.



- Put the 4 mm tapping screws through the two holes on the stand, and screw into the two holes on the bottom of the speaker.
- When both screws are attached, tighten both of the screws so that the stand is firmly in place.
- Attach the pads to the bottom of the end portion of the stand.
- Attach the other stands in the same manner and confirm that all 4 stands are firmly attached.

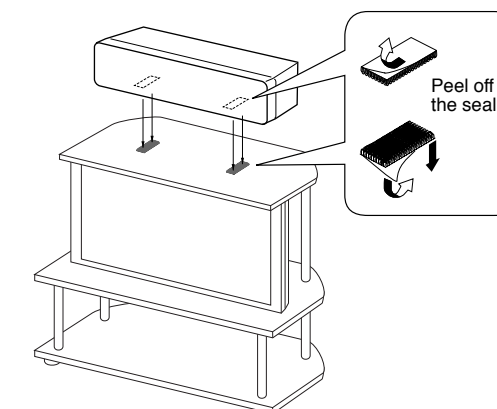
Note

- Be careful not to apply force to the side of the speaker, otherwise the speaker may fall causing damage to the speaker or personal injury.

■ Placing the center speaker

When placing the speaker on top of the TV, be sure to attach the supplied fasteners at two points on both bottom of the speaker and top of the TV to prevent the speaker from falling down.

NS-C7900



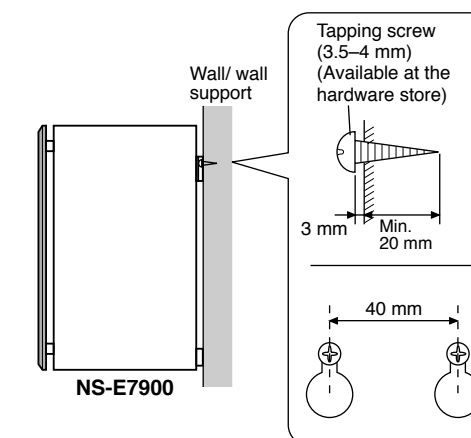
Notes

- Do not place the speaker on top of the TV which area is smaller than the bottom area of the speaker. If placed, the speaker may drop out causing an injury to you.
- Do not place the speaker on top of the TV with an inclination.
- Do not touch the adhesive surface after peeling off the seal as this will weaken its adhesive strength.
- Thoroughly wipe clean the surface where the fastener is to be applied. Note that adhesive strength is weakened if the surface is dirty, oily or wet and that this may cause the center speaker to drop.

■ Mounting the surround speakers on the wall

You can mount the surround speakers on the wall using the holes of the brackets attached to the back of the speakers.

- Fasten two screws into a firm wall or wall support at the interval as shown below.
 - Hang the speaker by mounting the holes on the protruding screws.
- * Make sure that the screws are securely affixed by the narrow parts of the holes.



WARNING:

- This speaker weighs 1.9 kg. Do not mount it on thin plywood or a wall with soft surface material. If mounted, the screws may come out of the flimsy surface and the speaker may fall. This damages the speaker or causes personal injury.
- Do not install the speaker to a wall with nails, adhesives, or any other unstable hardware. Long-term use and vibrations may cause it to fall.
- To avoid accidents resulting from tripping over loose speaker cable, fix it to the wall.

CONNECTING TO YOUR AMPLIFIER

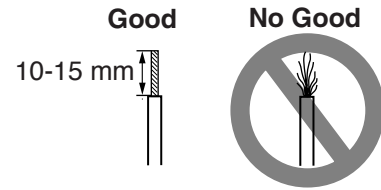
Always turn off your amplifier before making any connections.

Before connecting

- Remove the insulation coating at extremity of each speaker cable by twisting the coating off.

Note:

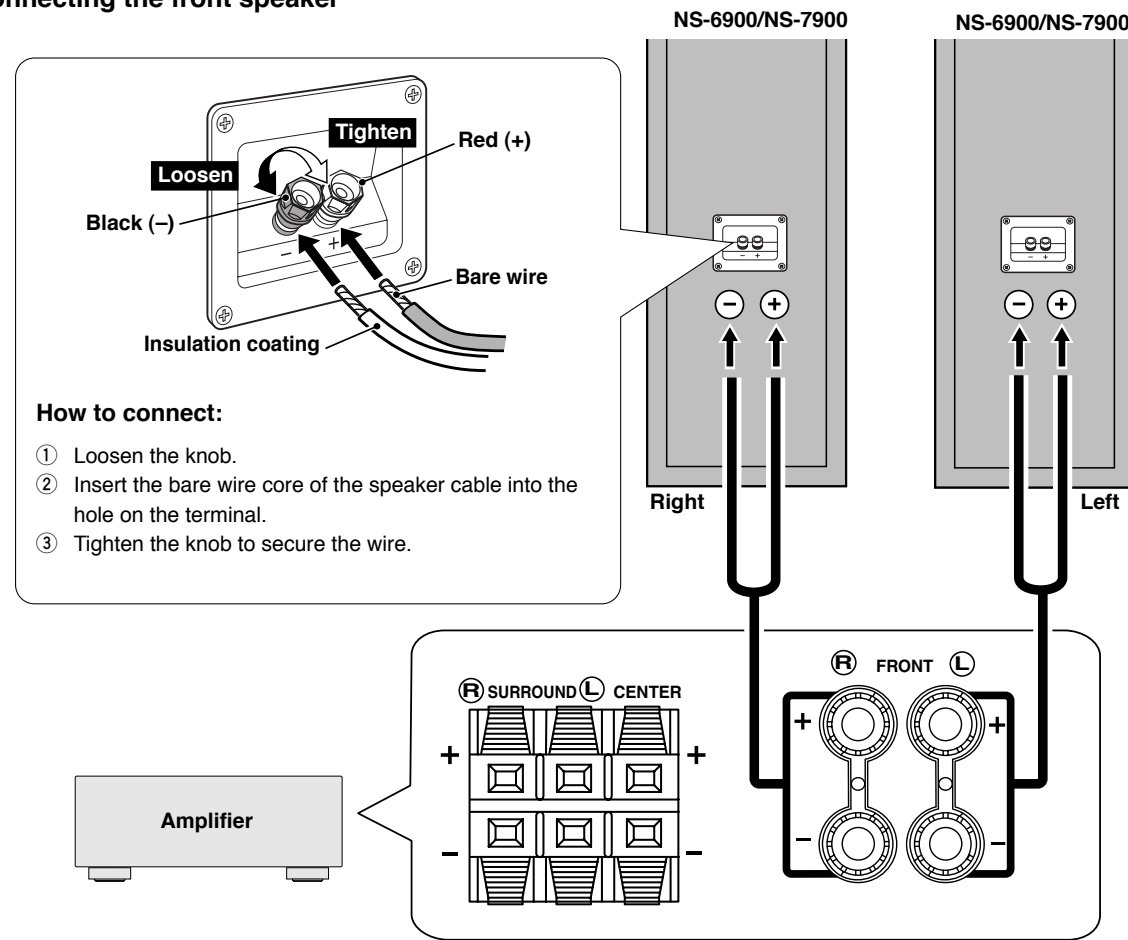
- Do not let uninsulated bare wires touch each other as this could damage the speaker or the amplifier.
- Securely twist the bare wires and lump them together to prevent them causing a short circuit.



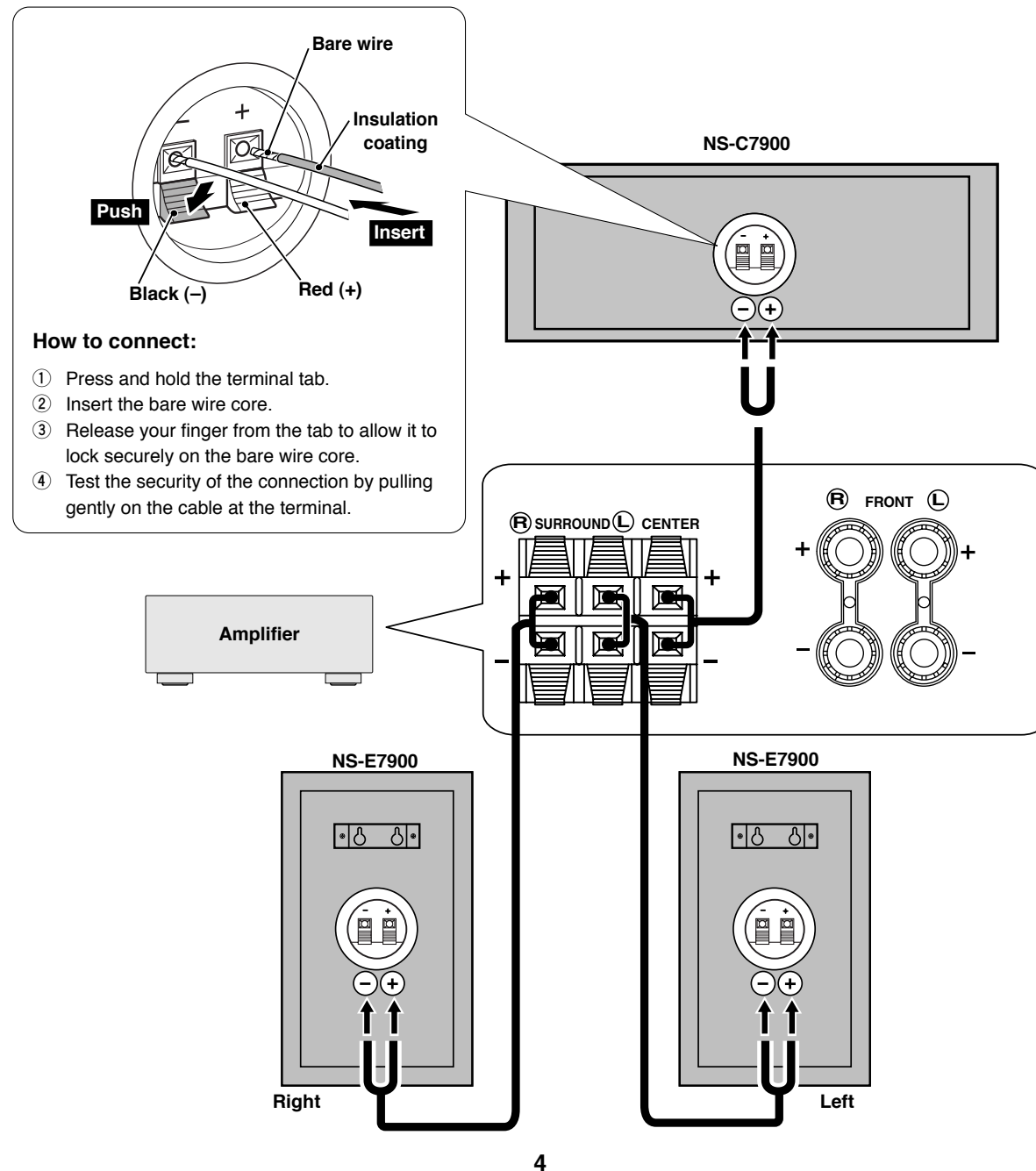
Connections

- Connect the input terminals at the rear of the speakers to the speaker output terminals of the amplifier with the speaker cable.
- Connect the (+) terminals on the amplifier and the speakers using one side of the cable. Connect the (-) terminals on both components using the other side of the cable.
- Connect one speaker to the left (marked L) terminals of your amplifier, and another speaker to the right (marked R) terminals, making sure not to reverse the polarity (+, -). If one speaker is connected with reversed polarity, the sound will be unnatural and lack bass.

Connecting the front speaker

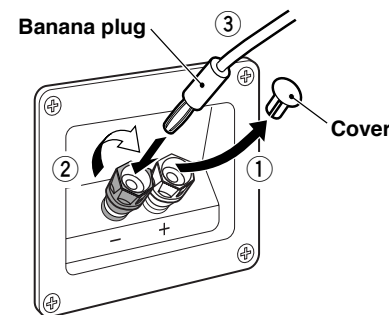


Connecting the center/surround speakers



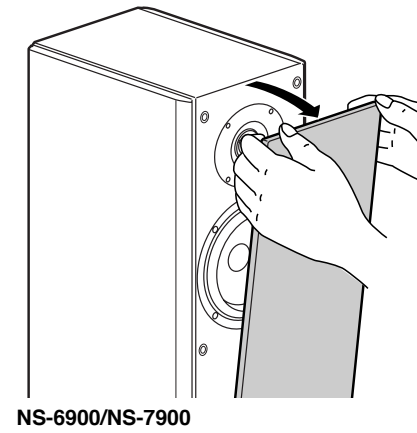
Using a banana plug

- Remove the cover by pulling it toward you.
- Tighten the terminal knob.
- Simply insert the banana plug into the terminal.



REMOVING THE FRONT COVER OF THE FRONT SPEAKER

The front cover is fastened to the enclosure at six points and can be removed if desired. To remove the cover, hold on to both sides and slowly pull straight away from the speaker. To reattach, line up the six holes on the speaker with the six corresponding pegs on the inner surface of the cover and push gently.



Note

When the cover is removed, take care not to touch the speaker units with your hands or to exert excessive force with tools.

SPECIFICATIONS

NS-6900

Type...2-way bass reflex speaker system, Magnetically shielded type
 Driver.....16 cm cone woofer x 1, 2.5 cm soft dome tweeter
 Impedance.....6 Ω
 Frequency Response.....34 Hz to 25 kHz
 Rated Input Power.....40 W
 Maximum Input Power.....150 W
 Sensitivity.....87 dB/2.83 V/m
 Crossover Frequency.....4 kHz
 Dimensions (W x H x D)195 x 980 x 345 mm
 Weight.....16.5 kg

NS-7900

Type...2-way bass reflex speaker system, Magnetically shielded type
 Driver.....16 cm cone woofer x 2, 2.5 cm soft dome tweeter
 Impedance.....6 Ω
 Frequency Response.....32 Hz to 25 kHz
 Rated Input Power.....50 W
 Maximum Input Power.....180 W
 Sensitivity.....88 dB/2.83 V/m
 Crossover Frequency.....2 kHz
 Dimensions (W x H x D).....195 x 1020 x 345 mm
 Weight.....17.5 kg

NS-P7900

NS-C7900

Type.....2-way acoustic suspension speaker system, Magnetically shielded type
 Driver.....8 cm cone woofer x 2, 2.5 cm balanced dome tweeter
 Impedance.....6 Ω
 Frequency Response.....70 Hz to 30 kHz
 Rated Input Power.....25 W
 Maximum Input Power.....100 W
 Sensitivity.....88 dB/2.83 V/m
 Crossover Frequency.....12 kHz
 Dimensions (W x H x D)395 x 130 x 150 mm
 Weight.....3.3 kg

NS-E7900

Type.....2-way acoustic suspension speaker system, Magnetically shielded type
 Driver.....8 cm cone woofer x 1, 2.5 cm balanced dome tweeter
 Impedance.....6 Ω
 Frequency Response.....70 Hz to 40 kHz
 Rated Input Power.....20 W
 Maximum Input Power.....80 W
 Sensitivity.....85 dB/2.83 V/m
 Crossover Frequency.....13 kHz
 Dimensions (W x H x D)130 x 217 x 150 mm
 Weight.....1.9 kg

- Specifications subject to change without notice due to product improvements.
- Care should be taken not to exceed the input power values noted above.

© 2006 YAMAHA CORPORATION All rights reserved.

YAMAHA ELECTRONICS CORPORATION, USA 6660 ORANGETHORPE AVE., BUENA PARK, CALIF. 90620, U.S.A.
 YAMAHA CANADA MUSIC LTD. 135 MILNER AVE., SCARBOROUGH, ONTARIO M1S 3R1, CANADA
 YAMAHA ELECTRONIK EUROPA GmbH, SIEMENSSTR. 22/34, 25462 PELLINGEN BEI HAMBURG, GERMANY
 YAMAHA ELECTRONIQUE FRANCE S.A. RUE AMBROISE CROIZAT BP70 CROISSY-BEAUBOURG 77312 MARNE-LA-VALLEE CEDEX02, FRANCE
 YAMAHA ELECTRONICS (UK) LTD. YAMAHA HOUSE, 200 RICKMANSWORTH ROAD WATFORD, HERTS WD1 7JS, ENGLAND
 YAMAHA SCANDINAVIA A.B. J. A. WETTERGRENS GATA 1, BOX 30063, 400 43 VÄSTRA FRILUNDA, SWEDEN
 YAMAHA MUSIC AUSTRALIA PTY. LTD. 17-33 MARKET ST., SOUTH MELBOURNE, 3205 VIC., AUSTRALIA

