



## Compact & Simple.

The concept is simple, but the sound is formidable. Amazing bass power from a compact body and speakers. With this system, less is more.



• iPod and USB device not included with MCR-330.



Bass drum: YAMAHA DAXDAD

## Beyond expectations.

Looking at the speaker, you can't imagine the powerful, well balanced sound. Yamaha creates exceptional bass from a small baffle board and a deep cabinet that acts like a bass drum. It's all the result of things we've learned from decades of making musical instruments.



A brilliant combination of Yamaha technology for high sound quality packed into a micro component system. Outstanding bass sound from compact body.



MCR-330 (CRX-330 Black + NS-BP110 Piano Black)



The CDR-330 CD receiver is available with black and silver finish.  
 The NS-BP110 speakers are available with Piano Black and Piano White finish.

## Advanced Features

- Convenient system control capability
- iPod direct docking via top panel universal dock
- USB port on top panel
- High quality CD player with CD Text display
- Superb reception FM tuner with handy functions

## High Sound Quality

- 20W x 2 high power output
- Subwoofer out for adding a subwoofer
- Aluminum front panel and knobs

## Speaker Section

- 2-way bass-reflex speakers
- Outstanding powerful bass sound from compact body
- Gold-plated speaker screw type terminals (NS-BP110)
- Detachable grille

### Main Specifications

CD RECEIVER: CRX-330		
Minimum RMS Output Power	(6 ohms, 1 kHz, 10% THD)	20 W + 20 W
Frequency Response	(20 Hz-20 kHz, CD, etc.)	0 ± 1 dB
Total Harmonic Distortion	(CD etc., Sp Out, 1 kHz)	0.05% (10 W/6 ohms)
Dimensions	(W x H x D)	180 x 117 x 303 mm
Weight		7-1/8" x 4-5/8" x 11-7/8" 3.1 kg; 6.8 lbs.

### SPEAKERS: NS-BP110

Driver		10cm (4") cone and 2.5cm (1") dome
Input Power	(Nominal/Max)	30 W / 90 W
Frequency Response		60 Hz-50 kHz
Sensitivity		84 dB/2.83 V/1 m
Crossover Frequency		8 kHz
Impedance		6 ohms
Dimensions	(W x H x D)	123 x 192 x 296 mm
Weight		4-7/8" x 7-5/8" x 11-5/8" 2.3 kg; 5.1 lbs.



MCR-330 (CRX-330 Silver + NS-BP110 Piano White)

The MCR-330 has been designed for anyone who wants to enjoy music...really enjoy music...from a personal-sized, easy to use system. The size is compact, the styling is simple and straightforward. All of the special design features are on the inside, where they contribute to pure, high quality sound.

The CD player is a high performance type with CD Text display, and you also get the convenience of docking an iPod and inserting a USB player right into the top of the unit.

The speakers are extremely high quality – you won't believe how good they sound and how much bass they put out.

In short, the MCR-330 goes far beyond your expectations for a Micro Component System.

**ADVANCED FEATURES**

**iPod Direct Docking on the Top Panel**

You can listen to iPod music from the speakers to enjoy more powerful, higher quality sound. You just dock your iPod right into the universal dock on the top panel. Operating your iPod from the system remote unit is extremely easy, because the remote operates the same way as the iPod controls. In



addition, the iPod charges while in use.

**USB Port on the Top Panel**

A USB port is provided on the top panel for connecting USB memory devices and portable audio players.

Compatible with MP3 and WMA formats, it also provides display of USB file name, artist name, album and song title.



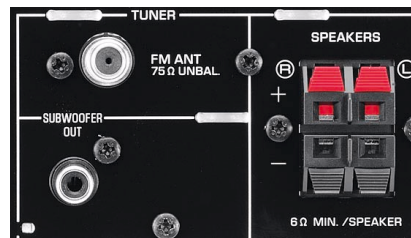
**HIGH SOUND QUALITY**

**Amazingly Good Sound Quality**

Quite simply, the MCR-330 sounds like a much bigger, more expensive system. The receiver/CD player uses the same digital amplifier as our high performance models, and the same high precision DAC and large, stable power supply as our excellent CD players.

**Subwoofer Out**

The Subwoofer Out terminal outputs bass



frequencies for connecting a subwoofer. Adding a subwoofer to the system pays big dividends.

**Superb Reception FM Tuner with Handy Functions**

In addition to utilizing a Direct PLL IF Count Synthesizer Tuning system, the MCR-330 also makes station selection easy. Users can preset as many as 30 FM stations for instant one-touch tuning, and with each one the tuning mode (auto or mono) is also memorised. The European models provide RDS (Radio Data System) tuning.

**Automatic Preset Tuning**

Auto FM Station Memory automatically presets the 30 strongest FM stations on the dial so you don't have to do it manually.

**Aluminum Front Panel**

The aluminum front panel provides an elegant look and helps to improve sonic performance.

**SPEAKER SECTION**

**Powerful 2-Way Bass-Reflex Speaker System**

Yamaha is known for its high quality compact speakers, and this system lives up to that reputation. The MCR-330 has 2-way drivers, and can handle 90W of power.

**VCCS (Vibration Control Cabinet Structure) Technology**

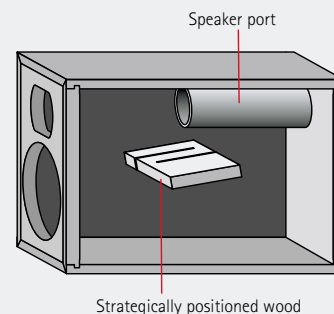
No matter how good the music source, amplifier and speakers are, speaker cabinet vibration will affect the sound, usually for the worse and sometimes quite a lot. Limiting this vibration, especially on the long side of the cabinet, is thus very important. Adding internal reinforcements haphazardly does no good and using conventional rubber and other damping materials has a shortcoming: it is effective across all frequency bands, while the vibration only affects a narrow band (generally around 500Hz).

The Yamaha speaker team attacked this problem in two ways. The first is an internal structure called VCCS (Vibration Control Cabinet Structure). It consists of several strategically placed pieces of wood, whose shapes, positions and angles were arrived at after a long process of experimentation. The second is the use of a new material that provides excellent vibration isolation performance.

The result is that unwanted cabinet vibration has been greatly reduced. The sound you hear from the 10cm woofers and balanced dome tweeters is not negatively affected by the cabinet, putting these system speakers truly in a

class of their own, with clear, powerful sound that will first surprise you and then delight you.

VCCS (Vibration Control Cabinet Structure) Principle



• iPod is a trademark of Apple, Inc., registered in the U.S. and other countries. • iPod and USB device not included with MCR-330. • Product designs and specifications are subject to change without notice.