



ハイハットスタンド

Hi-Hat Stand

Hi-Hat-Maschine

Trépied de cymbale Charleston

Supporto hi-hat

Soporte para charles

Estante de Hi-hat

Стойка для хай-хэта

踩镲架

Hi-Hat 架

하이햇 스탠드

HHS9D

取扱説明書

Owner's Manual

Benutzerhandbuch

Mode d'emploi

Manuale di istruzioni

Manual de instrucciones

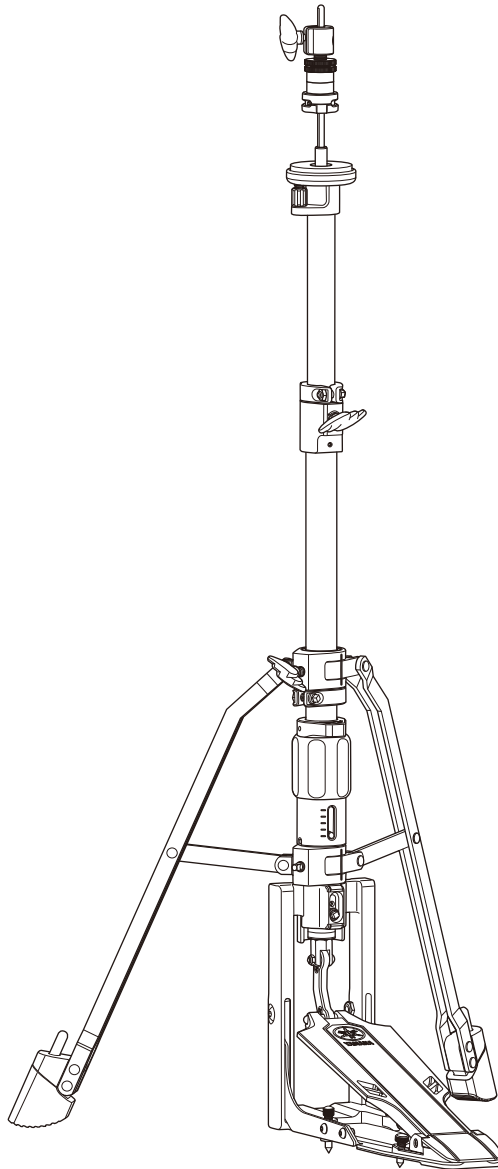
Manual do Proprietário

Руководство пользователя

使用说明书

使用説明書

사용설명서



日本語

English

Deutsch

Français

Italiano

Español

Português

Русский

简体中文

繁體中文

한국어

JA

EN

DE

FR

IT

ES

PT

RU

ZH-CN

ZH-TW

KO

Introduction

Thank you for purchasing this Yamaha Hi-Hat Stand. To get full use of the product and enjoy optimal performance, read this owner's manual carefully before using it. After you have read the manual, keep it in a safe and handy place for future reference.

Confirmation of Packing Contents

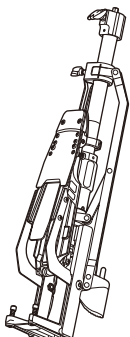
The shipping package of this product should contain the parts shown below. Before assembling this product, confirm that all parts listed are included.

* If a part is missing, contact your dealer or qualified Yamaha service personnel.

① Owner's Manual
(this document)



② Base unit



③ Top pipe



④ Hi-hat shafts
(long × 1, short × 1)



⑤ Hi-hat clutch
(LC9)



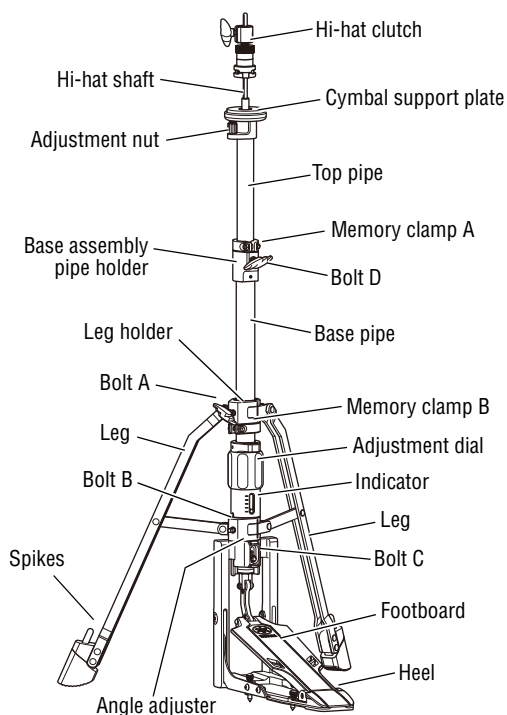
⑥ Tuning key



* When the product is shipped from the factory, the short hi-hat shaft is installed to the top pipe.

⑦ Precautions Leaflet
⑧ Address List

Part Names



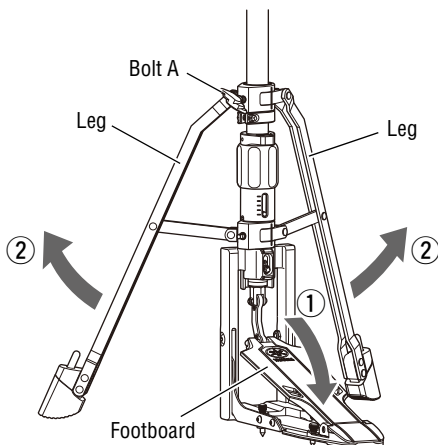
* The contents of this manual apply to the latest specifications as of the publishing date. To obtain the latest manual, access the Yamaha website then download the manual file.

Assembly

Assemble the hi-hat stand according to the following steps.

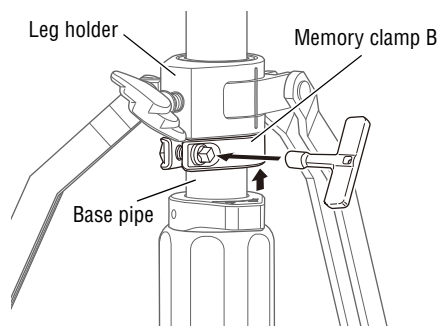
1. Secure the legs

- ① Open the footboard of the base unit.
- ② Loosen bolt A, and then open the two legs to their most stable position to prevent the stand from overturning while playing.



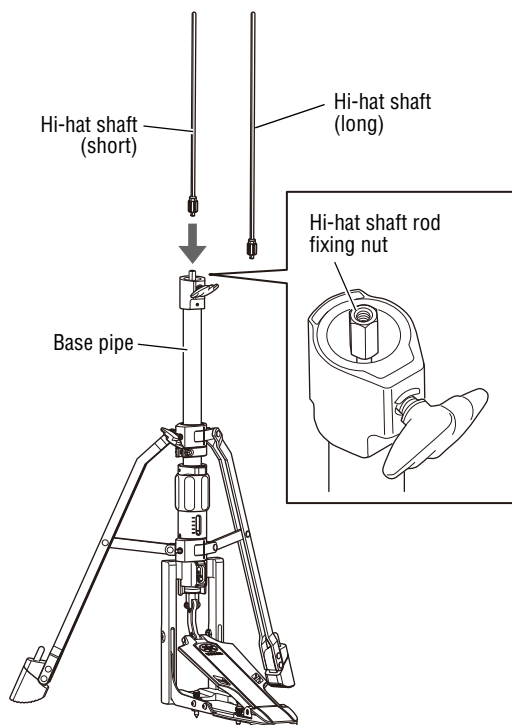
- ③ Tighten bolt A to secure the legs.
- ④ The memory clamp B allows you to mark the opening position of the legs and make it easier to return to that position.

After loosening the screw of the memory clamp B by using a tuning key, move the memory clamp B to the boundary line of the leg holder and the base pipe, and then retighten the screw.



2. Select and assemble the hi-hat shaft.

- ① Select one of the enclosed hi-hat shafts, long or short, according to the desired height.



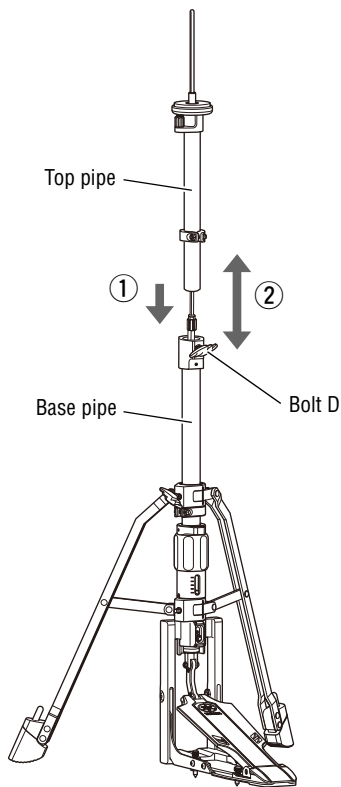
- ② Put the hi-hat shaft into the hi-hat shaft rod fixing nut in the base assembly pipe holder to secure it.

NOTE

- Since the HHS9D allows height adjustment, two types of hi-hat shafts (long and short) are included for your preference.
- Before the product is shipped from the factory, the short hi-hat shaft is installed to the top pipe.

3. Assemble the top pipe.

- ① Insert the top pipe in the pipe holder of the base assembly.
- ② Once the height is determined, tighten bolt D to secure.

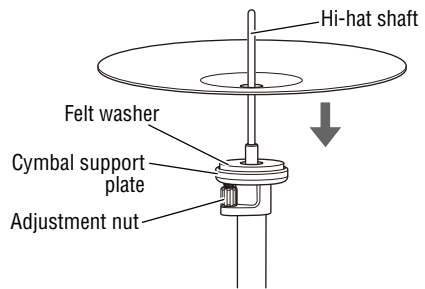


NOTICE

Be careful to avoid continuing for a long while to fasten bolt D without the top pipe inserted; otherwise, you may not be able to insert the top pipe.

4. Set the bottom hi-hat cymbal.

Set the bottom hi-hat cymbal onto the cymbal support plate.



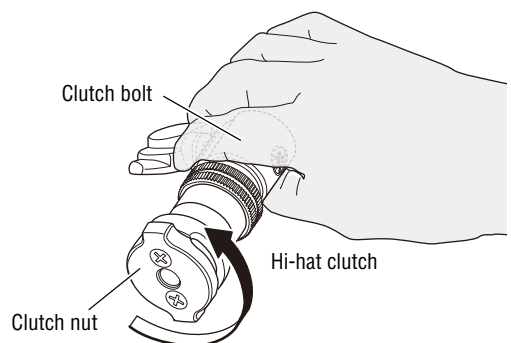
NOTE

- Adjust the tilt angle of the bottom hi-hat cymbal by rotating the adjustment nut under the cymbal support plate.

5. Attach the top hi-hat cymbal.

Attach the hi-hat clutch (LC9) to the top hi-hat cymbal, and then slide that assembly onto the hi-hat shaft.

- ① In order to remove the clutch nut from the hi-hat clutch, hold the upper part of the clutch bolt with one hand so that it does not move, and then rotate the metal part of the clutch nut to the left with your other hand.

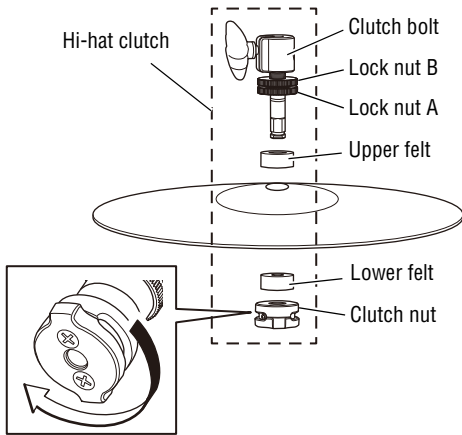


NOTE

- The hi-hat clutch is for fixing and holding the top hi-hat cymbal in place between the two felts.

- ② Remove the lower felt and install the cymbal. Thread the downward-facing cymbal, then the bottom felt, and then the clutch nut through the axis of the clutch bolt, and insert the cymbal between the upper and lower felts.

At this time, pay attention to the direction of the hole and install the clutch nut all the way in.

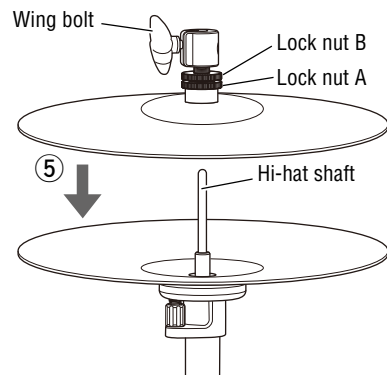


- ③ Turn the metal part of the clutch nut to the right until it clicks to secure the cymbal. Check that the clutch nut does not fall out.

- ④ Use the lock nut in order to adjust how tightly the top hi-hat cymbal is gripped. Rotating the lock nut to the right increases tension while turning to the left decreases tension.

NOTE

- The lock nut has a dual structure, in order to prevent slack. By using lock nut A, adjust how tight the top hi-hat cymbal is held, and then tighten lock nut B in order to fix lock nut A firmly.
- If the lock nut is fastened too tightly, it may not be possible to attach the clutch nut. If so, loosen the lock nut to the position to which the clutch nut is attached.



- ⑤ Slide the hi-hat clutch attached to the top cymbal onto the hi-hat shaft, stepping on the footboard to put the desired amount of space between the cymbals, and then tighten the wing bolt.

To remove the top hi-hat cymbal, follow steps ①–⑤ in reverse order.

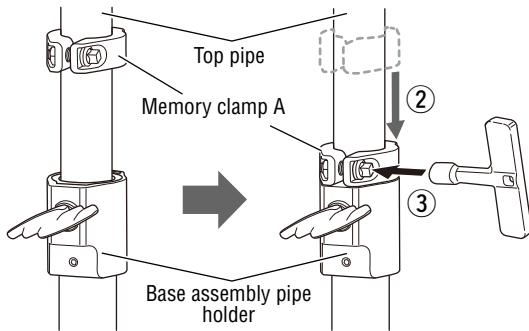
NOTE

- Make sure to occasionally apply grease to any moving parts to ensure free and smooth operation of the product.

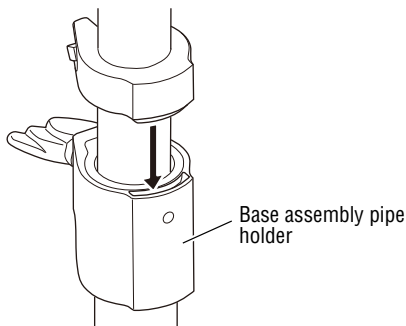
6. Set the memory clamp.

The memory clamp allows you to mark the height and trend of the hi-hat cymbal as desired.

- ① If necessary, readjust the position of the high-hat cymbal, referring to steps 3-② and 5-⑤.



- ② Loosen the screw of memory clamp A by using a tuning key, and then move the clamp to the boundary line of the top pipe and the base pipe. Also, make sure memory clamp A firmly fits into the hollow on the back of the base assembly pipe holder.



- ③ Tighten the screw of memory clamp A by using a tuning key.

NOTE

- Use the tuning key to firmly tighten the memory clamp so as to prevent the pipe from slipping when you play.

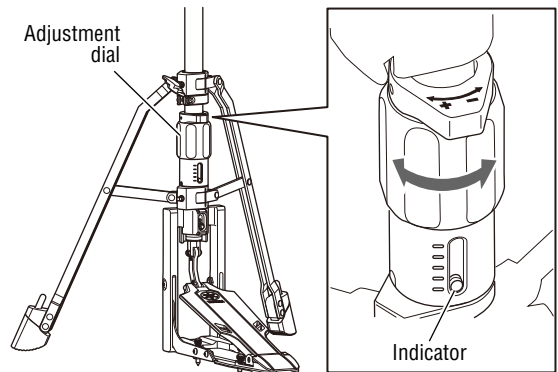
The assembly is now complete.

Adjustment

Adjust the hi-hat stand to a favorite condition by following these steps:

■ Adjusting the spring tension

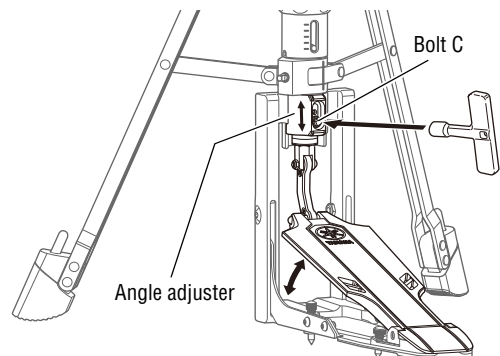
Use the adjustment dial to adjust the tension of the footboard spring. Turning the dial in the "+" direction increases tension while turning it to the "-" direction decreases tension. The indicator conveniently displays the amount of tension.



■ Adjusting the footboard angle

Use the angle adjuster to increase or decrease the amount of footboard angle by raising or lowering it.

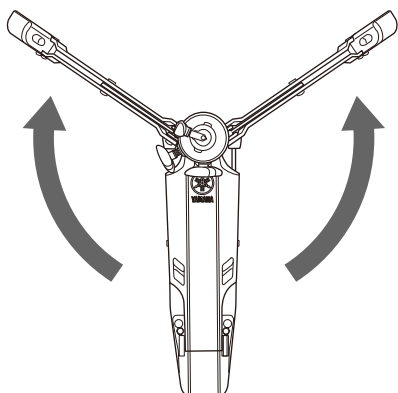
- ① With the tuning key, loosen bolt C, and then slide the angle adjuster higher or lower as needed.



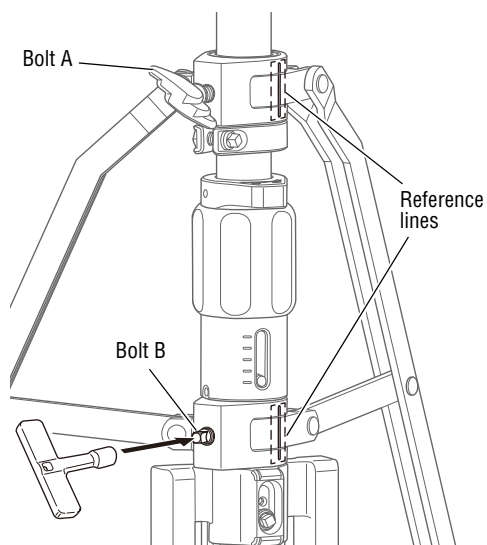
- ② After the angle has been determined, firmly tighten bolt C with the tuning key.

■ Adjusting the leg position

The position of the two legs can be adjusted.



- ① Loosen the bolt A, and then loosen bolt B by using the tuning key.
- ② After the position has been determined, firmly tighten bolts A and B.



NOTE

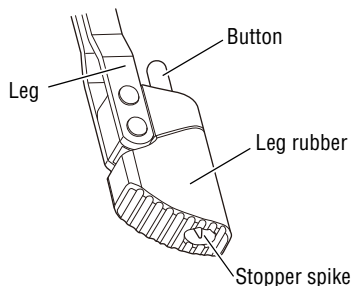
- We recommend that you open the two legs to their most stable state (the position where the reference lines align in a single row).

■ Preventing the stand from sliding

Use the stoppers or spikes to prevent the stand from sliding away from you while playing. Put the stand on a carpet to prevent any damage to the floor.

[Stoppers]

Push the button on the top of the rubber foot in order to extend the enclosed stopper spike.

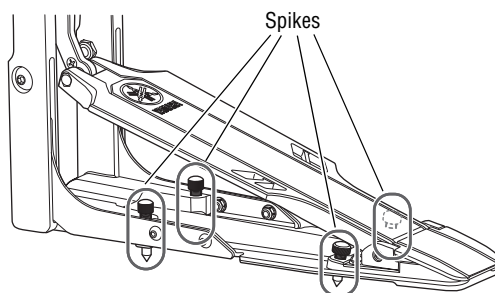


NOTE

- By pressing the button on the top of the leg rubber, the stopper spike can be inserted or retracted with a single touch.

[Spikes]

Turning the four spike heads clockwise (at the lower part of the footboard) extends the spikes out, toward the floor.



Yamaha Global Site
<https://www.yamaha.com/>

Yamaha Downloads
<https://download.yamaha.com/>

YAMAHA CORPORATION

10-1 Nakazawa-cho, Chuo-ku,
Hamamatsu, 430-8650 Japan

ヤマハ株式会社

〒430-8650 静岡県浜松市中央区中沢町 10-1

© 2023 Yamaha Corporation

Published 10/2023 2023年10月 発行

IPOE-A1

VED2200