

CD-S2000

Super Audio CD Player Lecteur Super Audio CD



OWNER'S MANUAL
MODE D'EMPLOI
BEDIENUNGSANLEITUNG
BRUKSANVISNING
MANUALE DI ISTRUZIONI
MANUAL DE INSTRUCCIONES
GEBRUIKSAANWIJZING
ИНСТРУКЦИЯ ПО ЭКСПЛУАЦИИ

HiFi Began with Yamaha

Yamaha's involvement with and passion for music goes back more than a century, to when we built our first reed organ in 1887. Now we are the world's leading producer of pianos and other musical instruments, and are involved with music in many other ways as well. We manufacture professional recording equipment, we design concert halls and we assist artists at concerts with set up and sound tuning.

This knowledge and experience benefits our production of audio components in many ways. We introduced our first HiFi (High Fidelity) turntable in 1954. Thereafter we were one of the first to offer mass-produced, high quality audio equipment, and introduced many legendary stereo components.

We hope you enjoy the genuine HiFi experience of Yamaha Natural Sound.



Excellence in Audio Achievement

1920-
1960s

First HiFi System introduced in 1920

We introduced numerous HiFi components (turntables, FM/AM tuners, integrated amplifiers, preamplifiers, power amplifiers and speakers) in 1955 - 1965.

Natural Sound Speaker Series introduced in 1967

NS-20 Monitor Speaker



NS-20



CA-1000

1970s

CA-1000 Integrated Amplifier

Featuring A-Class operation, the CA-1000 set the standard for integrated amplifiers.

NS-690 Monitor Speaker



NS-690



NS-1000M

NS-1000M Monitor Speaker

A truly legendary speaker still revered by HiFi enthusiasts.

B-1 Power Amplifier

An innovative power amp that used FETs in all stages.



B-1



C-2

C-2 Control Amplifier

Received top prize at the Milan International Music and HiFi Show

NS-10M Studio Monitor Speaker

Became of the most popular studio monitors in the world.



PX-2



NS-10M

A-1 Integrated Amplifier

PX-2 Turntable

Yamaha's first straight arm turntable.



B-6



A-1

1980s

B-6 Power Amplifier

Pyramid-shaped power amplifier.

GT-2000/L Turntable

First CD Player (CD-1) introduced in 1983

B-2x Power Amplifier



MX-10000



B-2x

MX-10000 Power Amplifier and

CX-10000 Control Amplifier

Redefined the capabilities of separate components.

AX-1 Integrated Amplifier



Soavo-1



CX-10000

1990s

GT-CD1 CD Player

MX-1 Power Amplifier and

CX-1 Preamplifier

2000s

Soavo-1 and Soavo-2 Natural Sound Speaker Systems

A-S2000 Stereo Amplifier and
CD-S2000 Super Audio CD Player



Soavo-2

CD-S2000

- ◆ *Full-stage balanced signal transmission achieves the ultimate in CD reproduction*
- ◆ *Full-stage balanced signal transmission beginning with the DAC*
- ◆ *Exclusive Yamaha loading mechanism with superior quietness*
- ◆ *Independent power supplies with digital and analog completely separated*
- ◆ *Pure Direct*
- ◆ *Left-right symmetrical design with rigid, stable construction*
- ◆ *Super sound from Super Audio CDs*

■ Supplied accessories

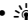
Please check that you have received all of the following parts.

- AC power cable
- Remote control
- Batteries (AA, R6, UM-3) (×2)
- Audio pin cable
- Safety brochure

Contents

Controls and functions.....	6
Connections.....	14
Specifications	18
Playable disc format.....	19
Troubleshooting.....	21

■ About this manual

-  indicates a tip for your operation.
- This manual is printed prior to production. Design and specifications are subject to change in part as a result of improvements, etc. In case of differences between the manual and the product, the product has priority.
- The color of images in this manual may vary from the original.
- Read the safety brochure before using this unit.

CD-S2000

Controls and functions

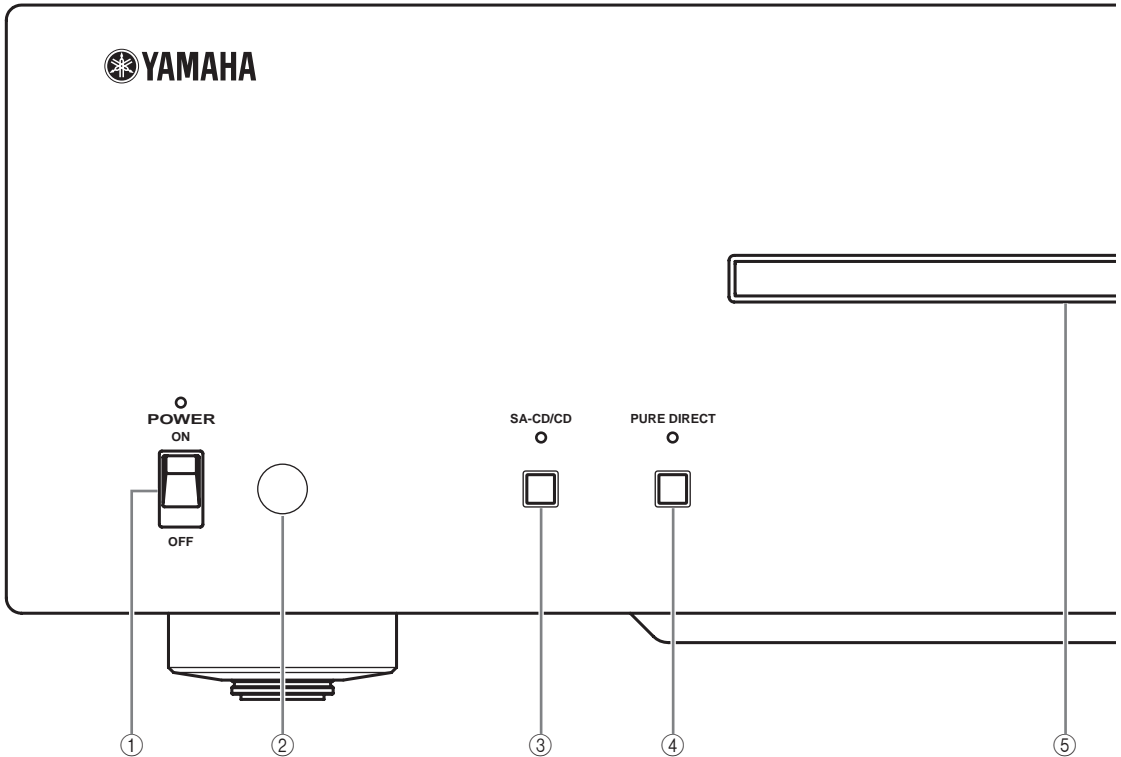
In this chapter, you will learn the controls and functions of CD-S2000.

POWER
ON



OFF

■ Front panel



① POWER

Press upward or downward to turn on or off this unit.



The POWER indicator above lights up when this unit is turned on.

② Remote control sensor

Receives signals from the remote control.

③ SA-CD/CD

Switches the playback layer of a hybrid SA-CD between SA-CD and CD.



- The SA-CD/CD indicator above lights up when the SA-CD layer is selected.
- This setting is retained even if you turn off this unit.

④ PURE DIRECT

Turns on the PURE DIRECT mode to improve audio quality.

When this unit is in the PURE DIRECT mode:

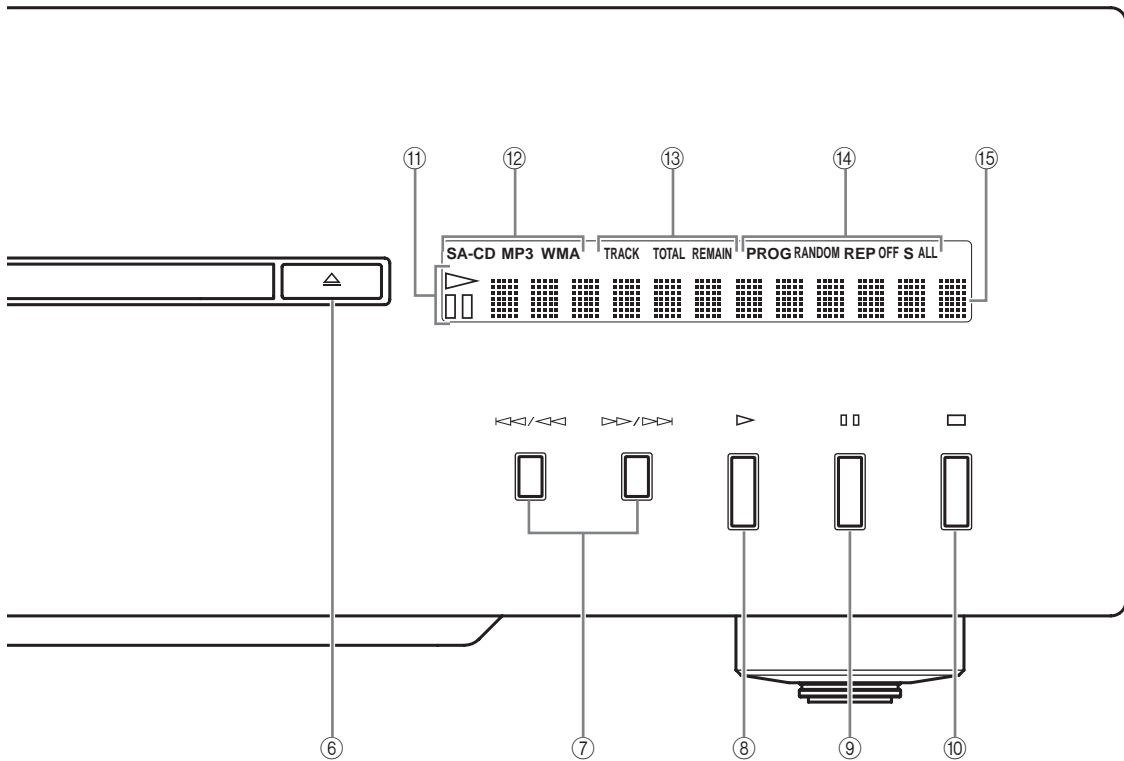
- The PURE DIRECT indicator above lights up.
- The digital output is turned off.
- The front panel display is turned off.



- The least indicators and messages are still displayed in the front panel display.
- Press again to turn off the PURE DIRECT mode.
- This setting is retained even if you turn off this unit.

⑤ Disc tray

Loads a disc.



⑥ (Open/Close)

Opens or closes the disc tray.



You can also close the disc tray by:

- pressing (Play) on the front panel or on the remote control or by pressing the front edge of the disc tray gently.
- pressing a numeric button on the remote control.

⑦ (Skip/Search backward),
 (Skip/Search forward)

: Skips to the next track.

: Skips back to the beginning of the current track.

(twice): Skips to the previous track.

Press and hold or to search backward/forward.



Each time you press and hold or , the search speed increases by 4 levels.

⑧ (Play)

Starts playback.

⑨ (Pause)

Pauses playback. Press or to resume playback.

⑩ (Stop)

Stops playback.

⑪ **Playback status indicator**

⑫ **Disc type indicator**

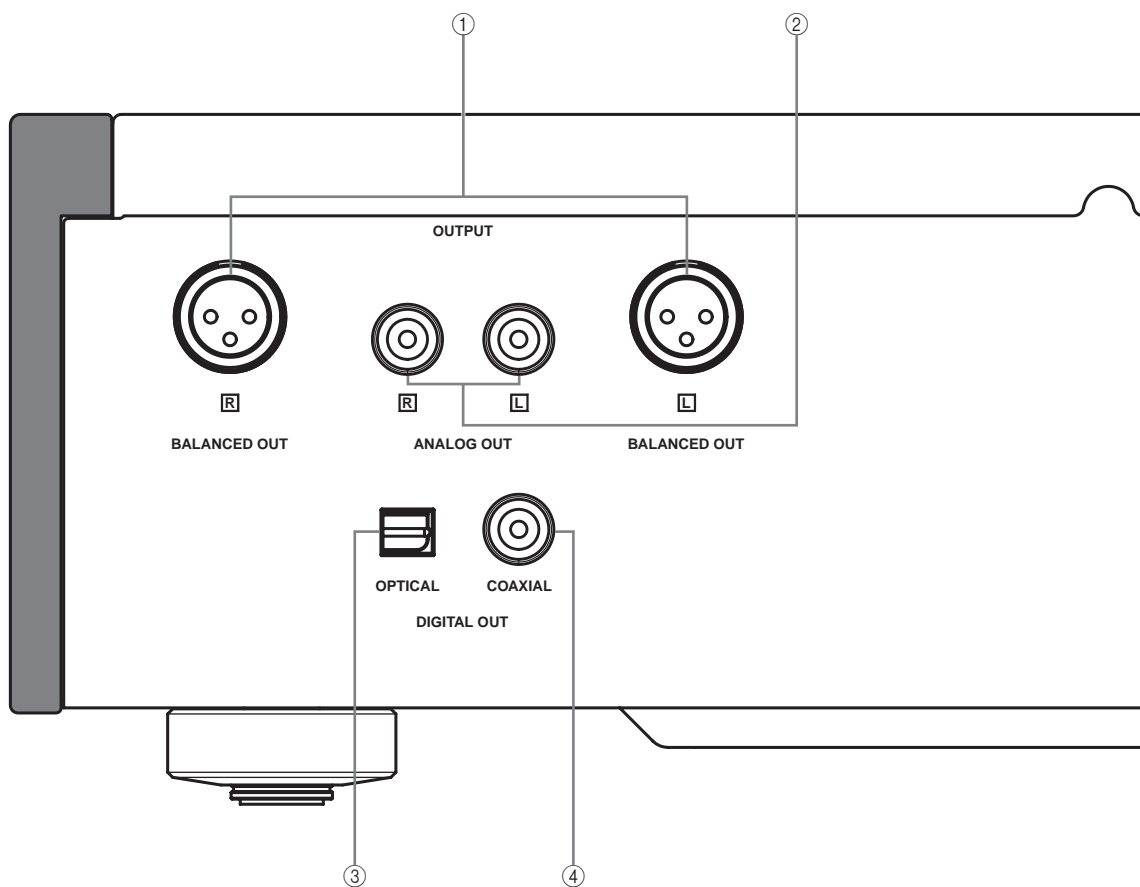
⑬ **Time display mode indicator**

⑭ **Playback mode indicator**

⑮ **Multi-information display**

See pages 20 for more information on MP3/WMA playback.

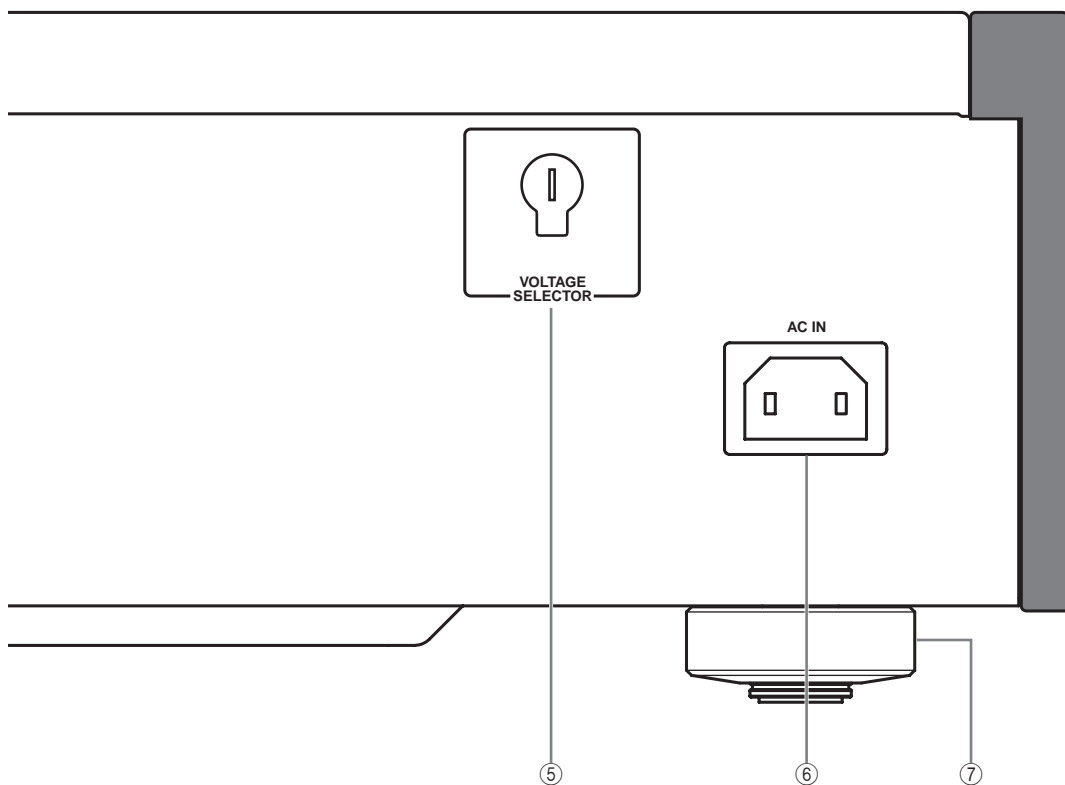
■ Rear panel



See page 14 for connection information.

- ① **BALANCED OUT jacks**
- ② **ANALOG OUT jacks**
- ③ **OPTICAL DIGITAL OUT jack**
- ④ **COAXIAL DIGITAL OUT jack**

(Asia and General models)



⑤ **VOLTAGE SELECTOR**

(Asia and General models only)

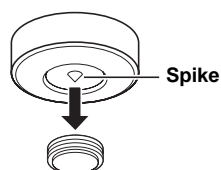
The **VOLTAGE SELECTOR** on the rear panel of this unit must be set for your local main voltage **BEFORE** plugging the AC power cable into the AC wall outlet. See page 16 for further information.

⑥ **AC IN**

Use this inlet to plug in the supplied power cable. See page 16 for connection information.

⑦ **Foot**

The feet of this unit include built-in spikes. Using the spikes can reduce the effect of vibrations on the set. When using the spikes, remove the magnet foot by pulling it.



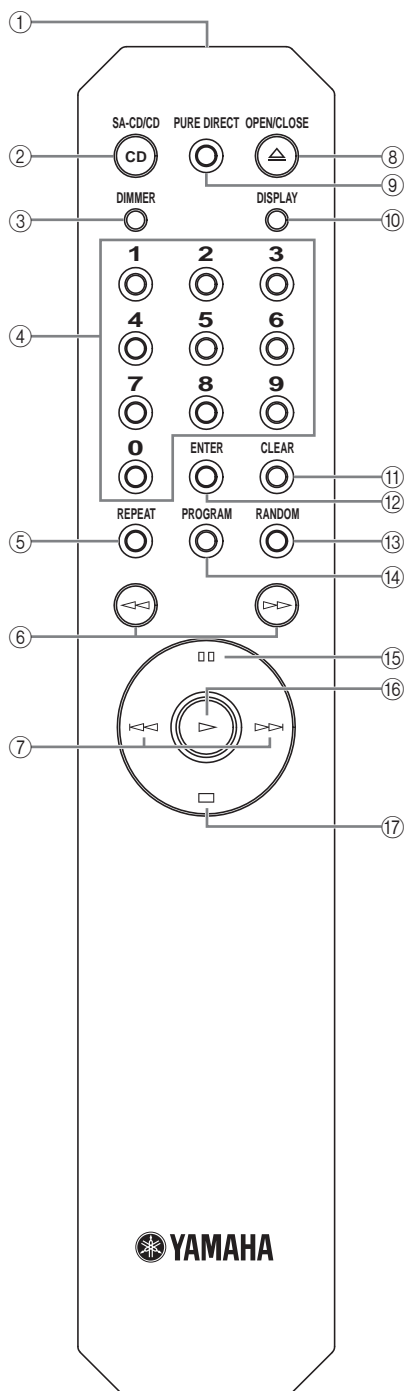
Caution

When using the feet's built-in spikes, the spikes may scratch the shelf or floor on which this unit is installed. Use the supports when placing this unit on expensive furniture, etc.



If this unit is unstable, you can adjust the foot height by rotating it.

■ Remote control



① Infrared signal transmitter

Sends infrared signals to this unit.

② SA-CD/CD

Switches the playback layer of a hybrid SA-CD between SA-CD and CD.



- The SA-CD/CD indicator on the front panel lights up when the SA-CD layer is selected.
- This setting is retained even if you turn off this unit.

③ DIMMER

Selects brightness level for the front panel display. Each time you press DIMMER, the brightness level changes in the following order:

Max (brightest) → Level 1 (default) → Level 2 → Level 3 (darkest) → Max



This setting is retained even if you turn off this unit.

④ Numeric buttons

Use to select a track directly.

Note

This operation is ineffective for MP3 or WMA discs.

⑤ REPEAT

Repeats playback of a single track or all tracks. Each time you press REPEAT during playback, the repeat playback mode changes as follows:

- REP S (single repeat playback): On reaching the end of the current track, playback repeats from the beginning of the current track.
- REP ALL (all repeat playback): On reaching the end of the last track, playback repeats from the beginning of the first track.

Note

This operation is ineffective for MP3 or WMA discs.

⑥ ◀▶ (Search backward), ▶▶ (Search forward)

Searches tracks backward/forward.



Each time you press ◀▶ or ▶▶, the search speed increases by 4 levels.

⑦ ◀◀ (Skip backward), ▶▶ (Skip forward)

▶▶ : Skips to the next track.

◀◀ : Skips back to the beginning of the current track.

◀◀ (twice): Skips to the previous track.

⑧ OPEN/CLOSE

Opens or closes the disc tray.

⑨ PURE DIRECT

Turns on the PURE DIRECT mode to improve audio quality.

When this unit is in the PURE DIRECT mode:

- The PURE DIRECT indicator above lights up.
- The digital output is turned off.
- The front panel display is turned off.



- The least indicators and messages are still displayed in the front panel display.
- This setting is retained even if you turn off this unit.

⑩ DISPLAY

Switches the time display. Each time you press DISPLAY during playback, the time display changes as follows:

- Elapsed time of the current track (default setting). The TRACK indicator lights up in the front panel display.
- Remaining time of the current track. The TRACK and REMAIN indicators light up in the front panel display.
- Total remaining time of the disc. The TOTAL and REMAIN indicators light up in the front panel display.

⑪ CLEAR

Erases the last programmed track when this unit is in the program editing mode. See “Program playback” on this page.



You can erase all programmed tracks when the playback is stopped.

⑫ ENTER

Confirms a track number entered when you are programming tracks.

⑬ RANDOM

Turns on or off the random playback mode.

Notes

- This operation is ineffective for MP3 or WMA discs.
- The random playback mode is canceled when playback is stopped or the disc is ejected.

⑭ PROGRAM

Turns on or off the program playback mode. See “Program playback” on this page.

⑮ ⏸ (Pause)

Pauses playback. Press ▷ or ⏸ to resume playback.

⑯ ▷ (Play)

Starts playback.

⑰ ◻ (Stop)

Stops playback.

See pages 20 for more information on MP3/WMA playback.

■ Program playback

In the program playback mode, you can play back tracks in a programmed sequence.

Notes

- This operation is ineffective for MP3 or WMA discs.
- The programmed tracks are erased when the disc is ejected or this unit is turned off.

1 Press PROGRAM while playback is stopped.

This unit is set to the program editing mode.

2 Select a track by using the numeric buttons and ENTER.

3 Repeat step 2 to program the next track.

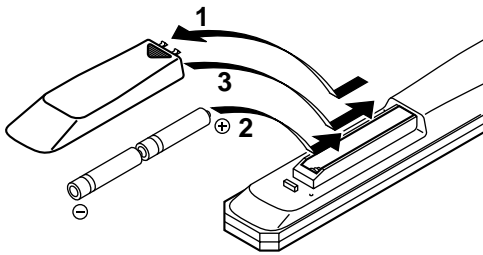
You can program up to 24 tracks.

4 Press ▷.

Playback starts from the beginning of the programmed sequence.

Controls and functions

■ Installing batteries in the remote control



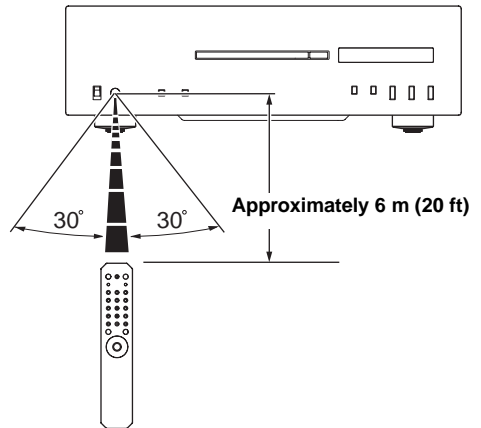
1 Press the ▼ part and slide the battery compartment cover off.

2 Insert the two supplied batteries (AA, R6, UM-3) according to the polarity markings (+ and -) on the inside of the battery compartment.

3 Slide the cover back until it snaps into place.

■ Using the remote control

The remote control transmits a directional infrared beam. Be sure to aim the remote control directly at the remote control sensor on the front panel of this unit during operation.





CD-S2000 Connections

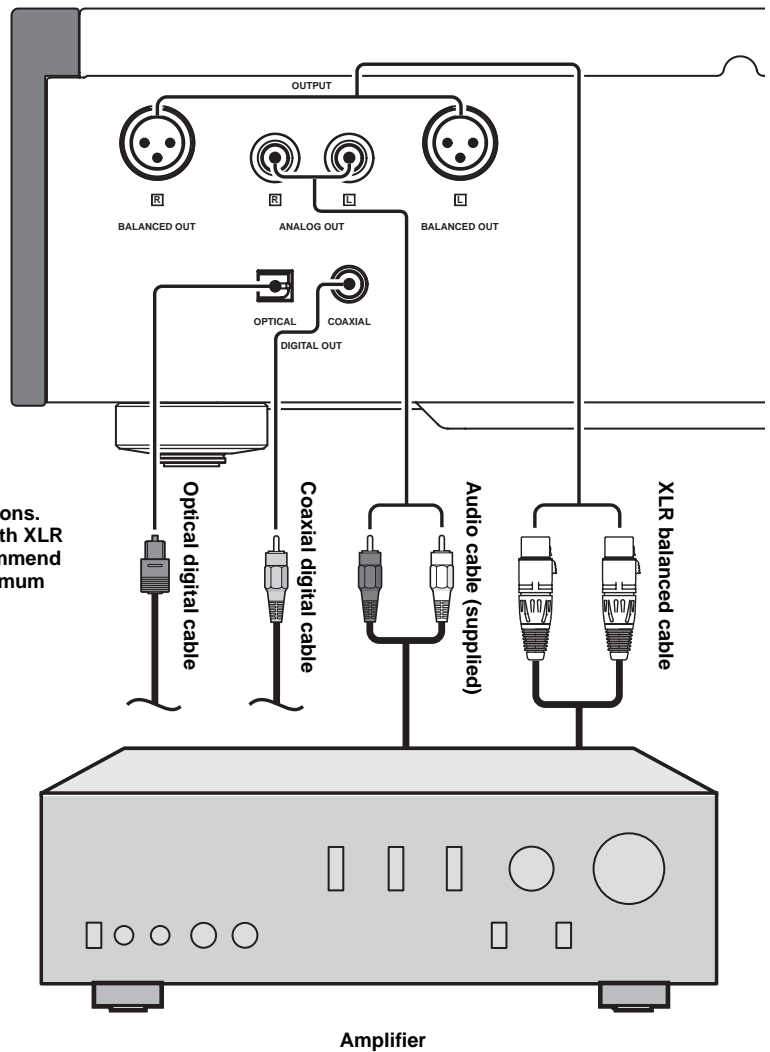
In this section, you will make connections between CD-S2000 and your amplifier.

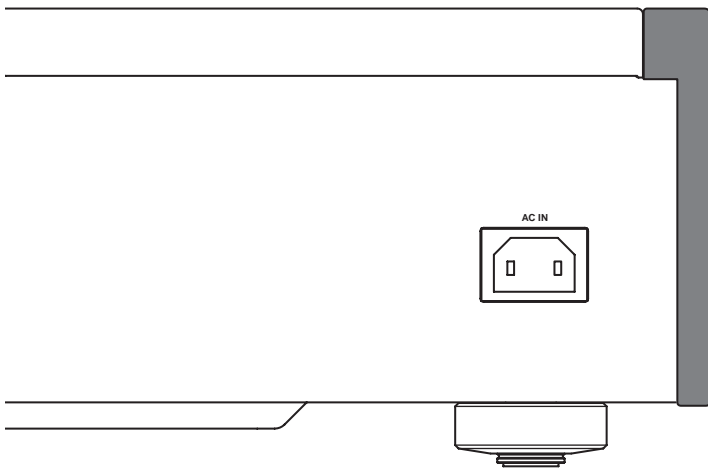
OUT
G OUT

BALANCED OUT

COAXIAL

Select one of these connections.
If your amplifier is equipped with XLR
balanced input jacks, we recommend
balanced connection for optimum
audio performance.

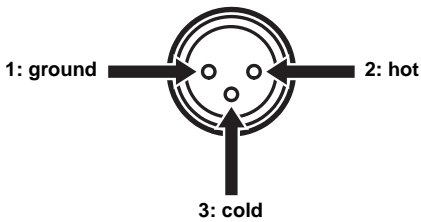




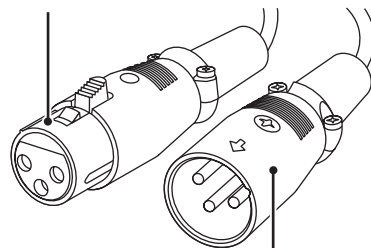
■ **Connecting to the BALANCED OUT jacks**

Connect your amplifier with the XLR balanced output jacks. The pin assignments for these jacks are shown below. Refer to the owner’s manual supplied with your amplifier and verify that its XLR balanced input jacks are compatible with the pin assignments.

When connecting, be sure to match the pins and insert the connector of the “female” XLR balanced cable. When disconnecting, pull out the “female” XLR balanced cable while pressing down the latch lock on the plug.



“Female” XLR connector



“Male” XLR connector

■ **VOLTAGE SELECTOR**
(Asia and General models only)

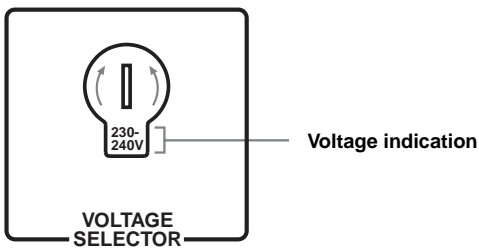
Caution

The VOLTAGE SELECTOR on the rear panel of this unit must be set for your local voltage BEFORE plugging the power cable into the AC wall outlet. Improper setting of the VOLTAGE SELECTOR may cause damage to this unit and create a potential fire hazard.

Rotate the VOLTAGE SELECTOR clockwise or counterclockwise to the correct position using a straight slot screwdriver.

Voltages are as follows:

..... AC 110/120/220/230–240 V, 50/60 Hz



■ **Connecting the power cable**

Plug the power cable into the AC IN connector when all connections are complete, and then plug in the power cable to the AC outlet.



CD-S2000 Specifications

In this section, you will find technical specifications for CD-S2000.

CD-S2000

Specifications

AUDIO SECTION

- Frequency Response
 - SA-CD 2 Hz to 50 kHz (–3 dB)
 - CD 2 Hz to 20 kHz
- Total Harmonic Distortion
 - SA-CD 0.0017% or less
 - CD 0.002% or less
- Signal to Noise Ratio (IHF-A Network) 116 dB or more
- Dynamic Range
 - SA-CD 110 dB or more
 - CD 100 dB or more
- Output Level (1 kHz, 0 dB) 2.0 ± 0.3 V

LASER DIODE PROPERTIES

- Type
 - SA-CD Semiconductor laser (AlGaInP)
 - CD Semiconductor laser (AlGaAs)
- Wavelength
 - SA-CD 650 nm
 - CD 780 nm
- Output Power
 - SA-CD 5 mW (max)
 - CD 7 mW (max)

GENERAL

- Power Supply
 - [U.S.A. and Canada models] AC 120 V, 60 Hz
 - [Asia and General models] AC 110/120/220/230–240 V, 50/60 Hz
 - [China model] AC 220 V, 50 Hz
 - [Korea model] AC 220 V, 60 Hz
 - [Australia model] AC 240 V, 50 Hz
 - [U.K. and Europe models] AC 230 V, 50 Hz
 - Power Consumption 30 W
 - Off-state Power Consumption 0 W
 - Dimensions (W x H x D) 435 x 137 x 440 mm
(17-1/8" x 5-3/8" x 17-5/16")
 - Weight 15 kg (33 lbs. 1 oz.)
- * Specifications are subject to change without notice.

Taking care of this unit

When you wipe this unit, do not use chemical solvents (ex. alcohol or thinner etc.); this might damage the finish. Use a clean, dry cloth. For heavy dirt, dampen a soft cloth in detergent diluted with the water, wring it out, and then clean this unit up with the cloth.

The screws on the side panels may loosen as wood expands and contracts. In this case, tighten the screws.

Supported disc types

This unit is designed to play back compact discs bearing the marks shown below. Never attempt to load any other types of discs into this unit. This unit can also play back 8-cm (3-inch) compact discs.

Super Audio CD

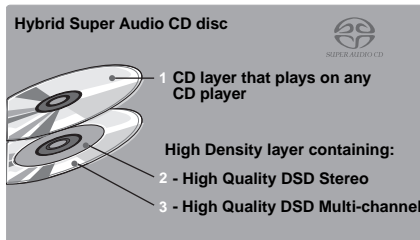
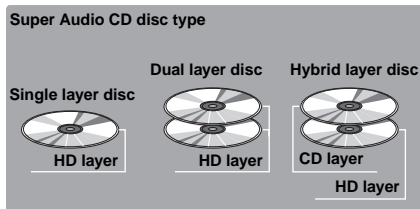


SUPER AUDIO CD

Audio format based upon the current CD standards but includes a greater amount of information that provides higher quality sound. There are three types of discs: single layer, dual layer and hybrid discs. The hybrid disc can be played on existing CD players as well as Super Audio CD players since it contains both standard audio CD and Super Audio CD information.

Note

This unit does not show text data on the front panel display.



Compact discs (digital audio)



The most popular discs for commercially available audio CDs.

CD-R, CD-RW digital audio discs



Music CDs made by copying onto a CD-R or CD-RW (including MP3 or WMA format files).

Notes

- Be sure to use a CD-R or CD-RW disc made by a reliable manufacturer.
- Be sure to use a CD-R or CD-RW disc which has at least one of the following phrases on the disc or disc case.
 - FOR CONSUMER
 - FOR CONSUMER USE
 - FOR MUSIC USE ONLY
- Be sure to use a finalized CD-R or CD-RW disc.

CD-TEXT discs



The discs recorded with text data such as album titles, track titles, and artist names. These discs can be played back with ordinary CD players.

Note

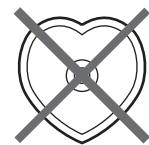
This unit does not show text data on the front panel display.

NOTE:

This unit may not be able to play back some CD-RW discs or discs on which recording was not made correctly.

To prevent a malfunction of this unit:

- Do not use any nonstandard shaped disc (heart, etc.) available in the market as it might damage this unit.
- Do not use a disc with tape, seals, or paste on it. Such a disc may get stuck in this unit or cause damage to this unit.



Playable disc format

■ About MP3 and WMA discs

You can play back MP3 and WMA files recorded on a CD-R or CD-RW with similar uses as a music CD.

MP3

MP3 (MPEG-1 Audio Layer-3) is a standard technology and format for compressing an audio sequence into a small-sized file. However, the original level of sound quality is preserved during playback.

Notes

- This unit plays back MP3 files in alphanumeric order.
- Up to 648 folders and files (combined) and up to 299 folders are recognized; however, some folders and files may not be recognized depending on their directory structure.
- Depending on recording conditions such as recording software settings, this unit may not be able to play back the disc or files in the order they were recorded.
- This unit is compatible with a sampling frequency of 44.1 kHz.
- This unit is compatible with a bitrate of 32, 40, 48, 56, 64, 80, 96, 112, 128, 160, 192, 224, 256, or 320 kbps. Variable bitrate is not supported.
- The disc must be ISO9660 compatible.
- The text data contained in the files are not displayed on this unit.

WMA

WMA (Windows Media Audio) is a Microsoft file format for encoding digital audio files similar to MP3 although WMA can compress files at a higher rate than MP3.

Notes

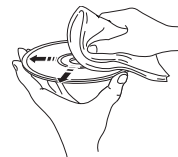
- This unit plays back WMA files in alphanumeric order.
- Up to 648 folders and files (combined) and up to 299 folders are recognized; however, some folders and files may not be recognized depending on their directory structure.
- This unit is compatible with a sampling frequency of 44.1 kHz.
- This unit is compatible with a bitrate of 48, 64, 80, 96, 128, 160, or 192 kbps. Variable bitrate is not supported.
- The disc must be ISO9660 compatible.
- Copyright-protected WMA files cannot be played back with this unit.
- The text data contained in the files are not displayed on this unit.

■ Handling compact discs

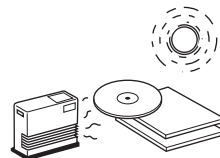
- Always handle a disc with care so that its surface is not scratched.



- Compact discs are rarely worn out during playback, but damage to the disc surface when the disc is being handled can adversely affect the disc playback.
- Be sure to use a felt-tip pen or similar writing tool when writing on the label side of a disc. Do not use a ball-point pen, pencil, or other hard-tipped writing tools as these may damage the disc and may adversely affect the disc playback.
- Do not warp discs.
- When a disc is not currently being used, remove it from this unit and store it in an appropriate case.
- When removing or storing a disc, be careful not to scratch the playing surface.
- Compact discs are not affected by small particles of dust or fingerprints on their playing surface, but even so they must be kept clean. Wipe the disc surface with a clean, dry cloth. Do not wipe the disc surface with a circular motion; wipe it straight outward from the center.



- Do not try to clean the disc surface with any type of disc cleaner, record spray, anti-static spray or liquid, or any other chemical-based liquid as such substances may irreparably damage the disc surface.
- Do not expose discs to direct sunlight, high temperature, or high humidity for a long period of time as these conditions may warp or otherwise damage the disc.



- To play back an 8-cm (3-inch) compact disc, place it in the inner recessed area of the disc tray. Do not put a normal 12-cm CD on top of an 8-cm CD.

Refer to the chart below if this unit does not function properly. If the problem you are experiencing is not listed below or if the instructions below do not help, turn off this unit, disconnect the AC power cable, and contact the nearest authorized Yamaha dealer or service center.

Problem	Cause	Remedy	See page
The unit does not switch ON when POWER is pressed upward.	The power cord is not connected nor completely connected.	Securely connect the power cord.	16
The disc tray does not close completely.	A foreign object is obstructing the tray.	Carefully check the disc tray and remove the foreign object.	—
Playback does not start.	The disc is damaged.	Check the disc carefully; replace it if necessary.	—
	There is moisture on the laser pickup.	Wait 20 to 30 minutes after switching the unit ON before trying to play back a disc.	—
	The disc is loaded upside down.	Reload the disc with the label side up.	—
	The disc is dirty.	Clean the disc.	—
	The MP3 or WMA formats are not compatible with this unit.	Replace the disc with a correctly recorded disc playable with this unit.	20
	The CD-RW (ReWritable) disc is not recorded correctly.	Replace the disc with a correctly recorded disc playable with this unit.	—
	The disc is a non-standard disc not playable with this unit.	Replace the disc with a correctly recorded disc playable with this unit.	—
Playback is delayed, or begins at the wrong place.	The disc may be scratched or damaged.	Check the disc carefully; replace it if necessary.	—
No sound.	Improper output cable connections.	Connect the cables properly. If the problem persists, the cables may be defective.	14
	Improper amplifier operation.	Set the amplifier controls to the correct input selection.	—
Sound “skips”.	This unit is being subjected to vibrations or impacts.	Relocate this unit.	—
	The disc is dirty.	Clean the disc.	—
Sound “hums”.	Improper cable connections.	Securely connect the audio cables. If the problem persists, the cables may be defective.	14
Noise from a nearby tuner.	The tuner is too close to this unit.	Move the tuner and this unit farther apart.	—
Noise from inside of the disc tray.	The disc may be warped.	Replace the disc.	—
The remote control does not work.	The batteries of the remote control are too weak.	Replace the batteries with new ones.	12
	Remote control is too far away or tilted too much.	Use within 6 m and 60° radius.	12
	Direct sunlight or lighting (of an inverter type fluorescent lamp etc.) is striking the remote control sensor of this unit.	Reposition this unit.	12

La Hi-Fi doit ses débuts à Yamaha

La passion de Yamaha pour la musique remonte à plus d'un siècle, plus exactement à 1887, l'année où nous avons conçu notre première orgue à anche. Actuellement, nous sommes le principal producteur de pianos et d'instruments de musique au monde, et nous sommes impliqués de multiples façons dans le domaine musical. Nous fabriquons des équipements d'enregistrement professionnels, nous concevons des salles de concert et assistons les artistes à effectuer réglages et accordage sonores pour les concerts.

Notre production de composants audio profite de maintes manières de ce savoir et de cette expérience. Nous avons commercialisé notre premier tourne-disque Hi-Fi (Haute Fidélité) en 1954. Nous avons été ensuite une des premières sociétés à produire en masse des appareils audio de haute qualité et à introduire d'innombrables composants stéréo légendaires.

Nous espérons que vous apprécierez l'expérience Hi-Fi unique du Yamaha Natural Sound.



L'excellence dans l'accomplissement audio

1920-
1960s

Premier Système Hi-Fi introduit en 1920

Nous avons introduit de nombreux composants Hi-Fi (tourne-disques, tuners FM/AM, amplificateurs intégrés, préamplis, amplificateurs de puissance et enceintes) en 1955 – 1965.



NS-20



CA-1000

Commercialisation de la série d'enceintes Natural Sound en 1967.

Enceinte de contrôle NS-20



NS-690



NS-1000M

1970s

Amplificateur intégré CA-1000

Faisant partie des appareils de Classe A, le CA-1000 devient un standard en matière d'amplificateurs intégrés.

Enceinte de contrôle NS-690

Une enceinte véritablement légendaire, toujours vénérée par les passionnés de Hi-Fi.

Amplificateur de puissance B-1

Un ampli innovant utilisant des transistors FET à tous les étages.



B-1



C-2

Amplificateur de commande C-2

A reçu le premier prix au Salon International de la Musique et de la Hi-Fi de Milan



PX-2



NS-10M

Enceinte de contrôle pour studio NS-10M

Devenue une des enceintes de studio les plus populaires au monde.



A-1

Amplificateur intégré A-1

Tourne-disque PX-2

Le premier tourne-disque à bras droit de Yamaha.



B-6



B-2x

1980s

Amplificateur de puissance B-6

Amplificateur de puissance pyramidal.

Tourne-disque GT-2000/L

Premier lecteur de CD (CD-1) commercialisé en 1983



MX-10000



CX-10000

Amplificateur de puissance B-2x

Amplificateur de puissance MX-10000 et

Amplificateur de commande CX-10000

Ont redéfini les fonctionnalités des composants séparés.

Amplificateur intégré AX-1

1990s

Lecteur de CD GT-CD1

Amplificateur de puissance MX-1 et

Préamplificateur CX-1



Soavo-1



Soavo-2

2000s

Systèmes d'enceintes Natural Sound Soavo-1 et Soavo-2

Amplificateur stéréo A-S2000 et

Lecteur de Super Audio CD CD-S2000

CD-S2000

- ◆ *Transmission symétrique du signal sur tous les étages pour une reproduction exceptionnelle des CD.*
- ◆ *Transmission du signal symétrique à tous les étages à partir du convertisseur N/A*
- ◆ *Lecteur CD de haute précision et à chargeur silencieux*
- ◆ *Sources d'alimentation indépendantes avec numérique et analogique complètement séparés.*
- ◆ *Son direct pur*
- ◆ *Conception symétrique gauche-droite avec construction rigide et stable*
- ◆ *Son des CD Super Audio extraordinaire*

■ Accessoires fournis

Veuillez vous assurer que tous les articles suivants vous ont bien été fournis.

- Câble d'alimentation secteur
- Boîtier de télécommande
- Piles (AA, R6, UM-3) (×2)
- Câble audio à fiche cinch
- Brochure sur la sécurité

Table des matières

Commandes et fonctions.....	6
Raccordements	14
Caractéristiques techniques	18
Formats de disques lisibles	19
Guide de dépannage.....	21

■ À propos de ce manuel

- Le symbole ☛ appelle votre attention sur un conseil d'utilisation.
- Ce mode d'emploi a été imprimé avant la fabrication de l'appareil. Les caractéristiques et la présentation ont pu être modifiées à fin d'amélioration, etc. En cas de divergence entre le mode d'emploi et l'appareil, ce dernier prime.
- La couleur des images dans ce manuel peut être différente de l'original.
- Avant d'utiliser cet appareil, veuillez lire la brochure sur la sécurité.

CD-S2000

Commandes et fonctions

Ce chapitre décrit les commandes et fonctions du CD-S2000.

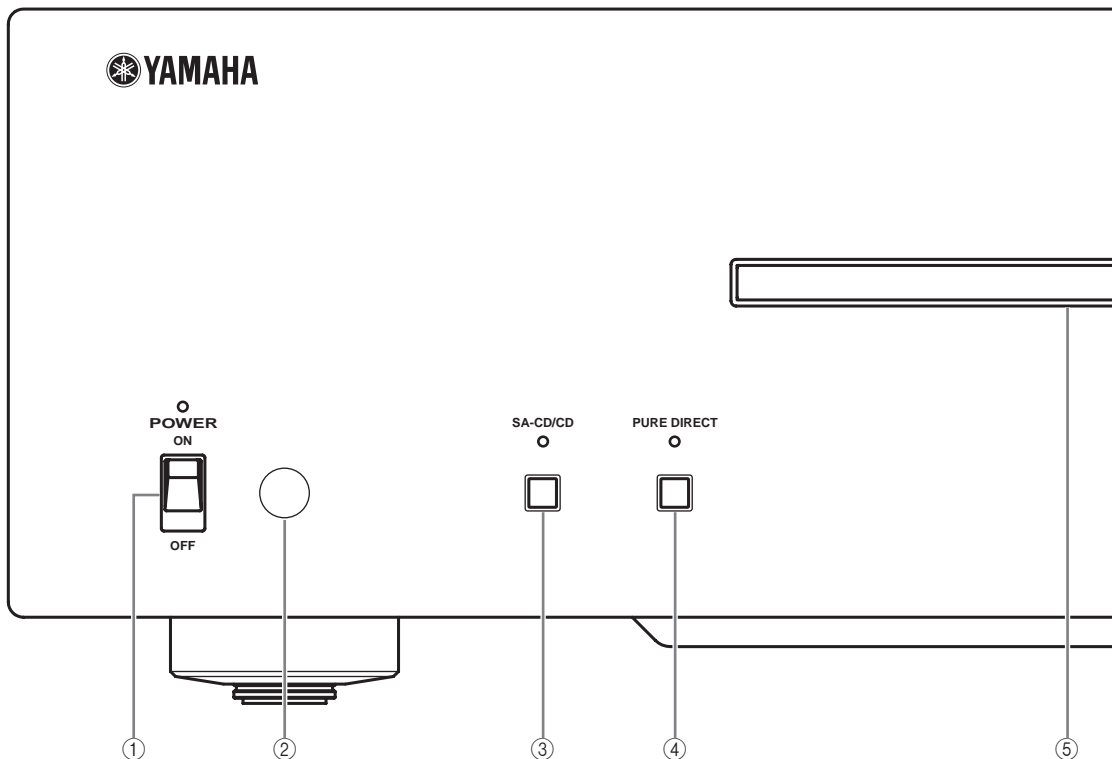
POWER
ON



OFF



■ Panneau avant



① POWER

Appuyez vers le haut ou le bas pour mettre cet appareil sous ou hors tension.



Le témoin POWER au-dessus de la touche s'allume lorsque cet appareil est sous tension.

② Capteur de télécommande

Il reçoit les signaux émis par le boîtier de télécommande.

③ SA-CD/CD

Sélectionne la couche de lecture SA-CD ou CD d'un SA-CD hybride.



- Le témoin SA-CD/CD au-dessus de la touche s'allume lorsque la couche SA-CD est sélectionnée.
- Ce réglage est retenu en mémoire même à la mise hors tension de l'appareil.

④ PURE DIRECT

Met en service le mode PURE DIRECT pour améliorer la qualité du son.

Lorsque cet appareil est en mode PURE DIRECT:

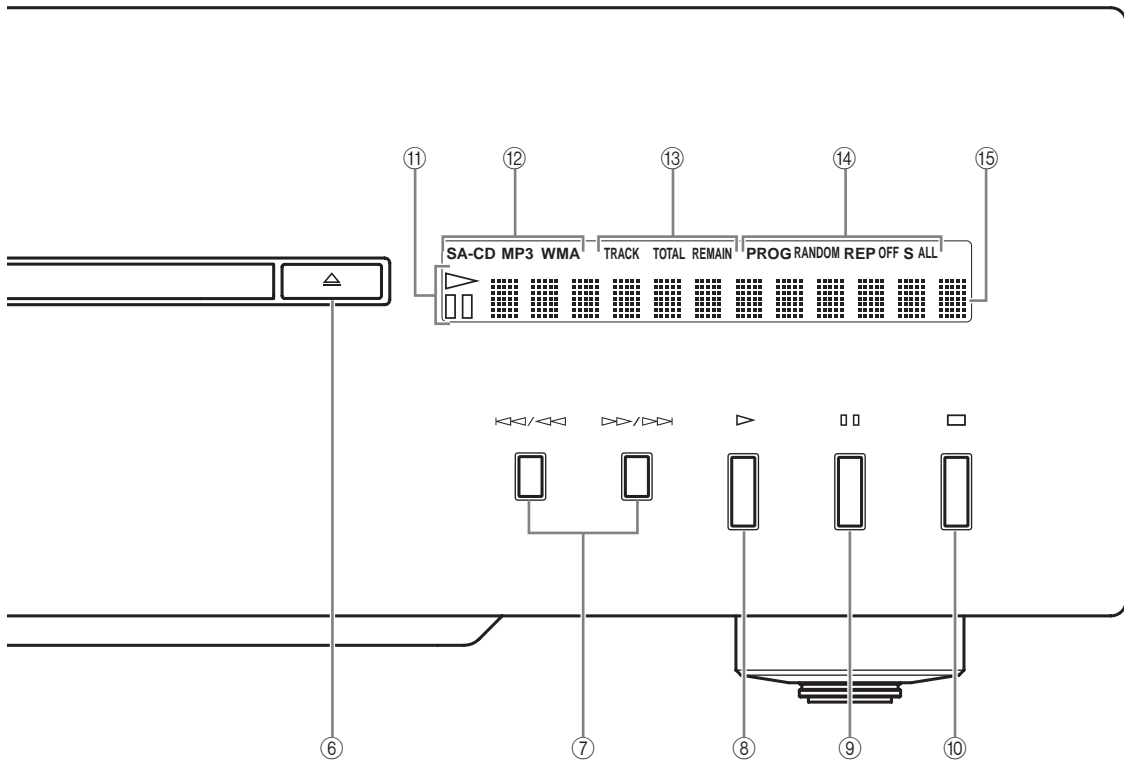
- Le témoin PURE DIRECT au-dessus de la touche s'allume.
- La sortie numérique est désactivée.
- L'afficheur du panneau avant s'éteint.



- Les témoins et messages restent affichés sur l'afficheur du panneau avant.
- Appuyez une nouvelle fois sur la touche pour mettre le mode PURE DIRECT hors service.
- Ce réglage est retenu en mémoire même à la mise hors tension de l'appareil.

⑤ Tiroir de disque

Pour insérer un disque.



⑥ ▲ (Ouverture/Fermeture)

Ouvre ou ferme le tiroir de disque.



Vous pouvez aussi fermer le tiroir de disque en :

- appuyant sur ▷ (Lecture) sur l'afficheur du panneau avant ou sur le boîtier de télécommande, ou bien en appuyant doucement sur le bord avant du tiroir de disque.
- en appuyant sur une touche numérique du boîtier de télécommande.

⑦ ◀◀/▶▶ (Saut/Recherche arrière),

▶▶/▶▶ (Saut/Recherche avant)

▶▶/▶▶ : Saut à la plage suivante.

◀◀/▶▶ : Revient au début de la plage actuelle.

◀◀/▶▶ (deux fois) : Saut à la plage précédente.

Appuyez en continu sur ◀◀/▶▶ ou ▶▶/▶▶ pour effectuer une recherche vers l'arrière ou l'avant.



À chaque nouvelle pression en continu de ◀◀/▶▶ ou ▶▶/▶▶, la vitesse de la recherche augmente de 4 niveaux.

⑧ ▷ (Lecture)

Active la lecture.

⑨ ◻◻ (Pause)

Met la lecture en pause. Appuyez sur ▷ ou ◻◻ pour poursuivre la lecture.

⑩ ◻ (Arrêt)

Arrête la lecture.

⑪ ◻ (Témoin du mode de lecture)

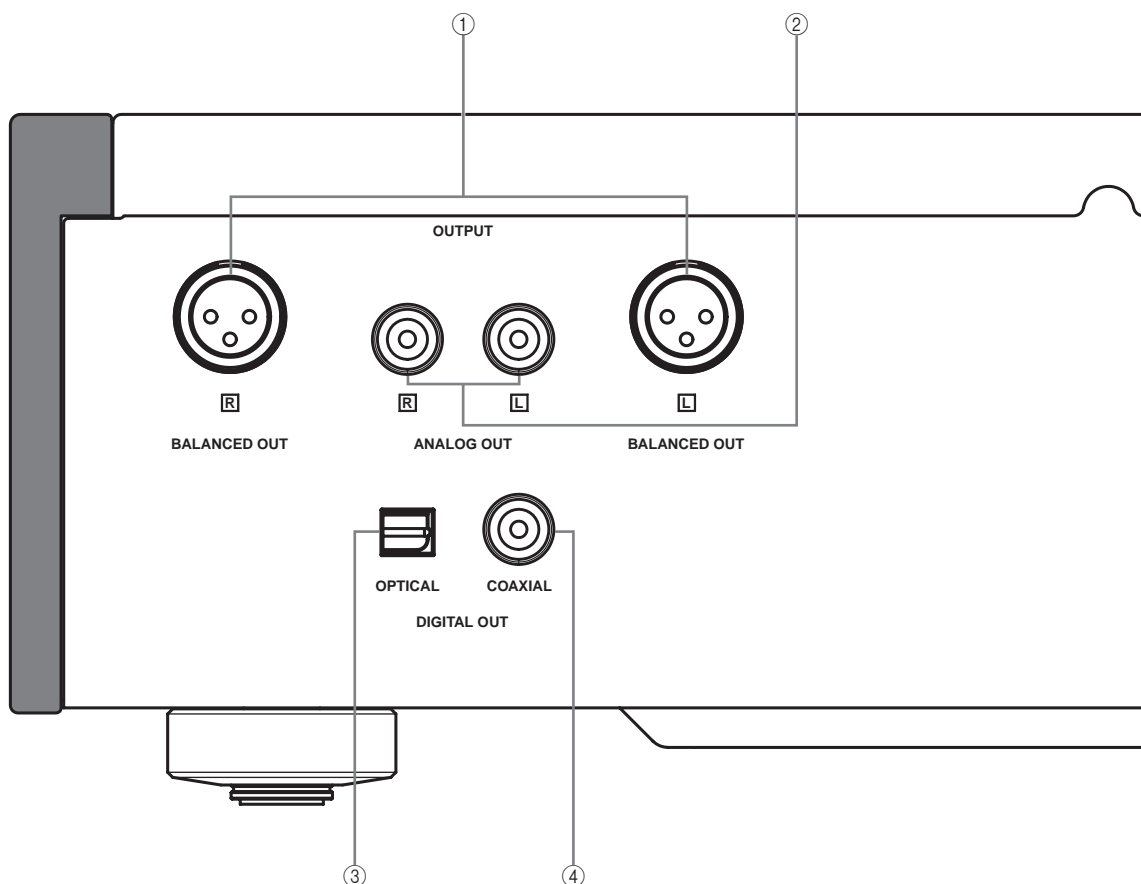
⑫ ◻ (Témoin du type de disque)

⑬ ◻ (Témoin du mode d'affichage du temps)

⑭ ◻ (Témoin du mode de lecture)

⑮ ◻ (Afficheur multifonction)

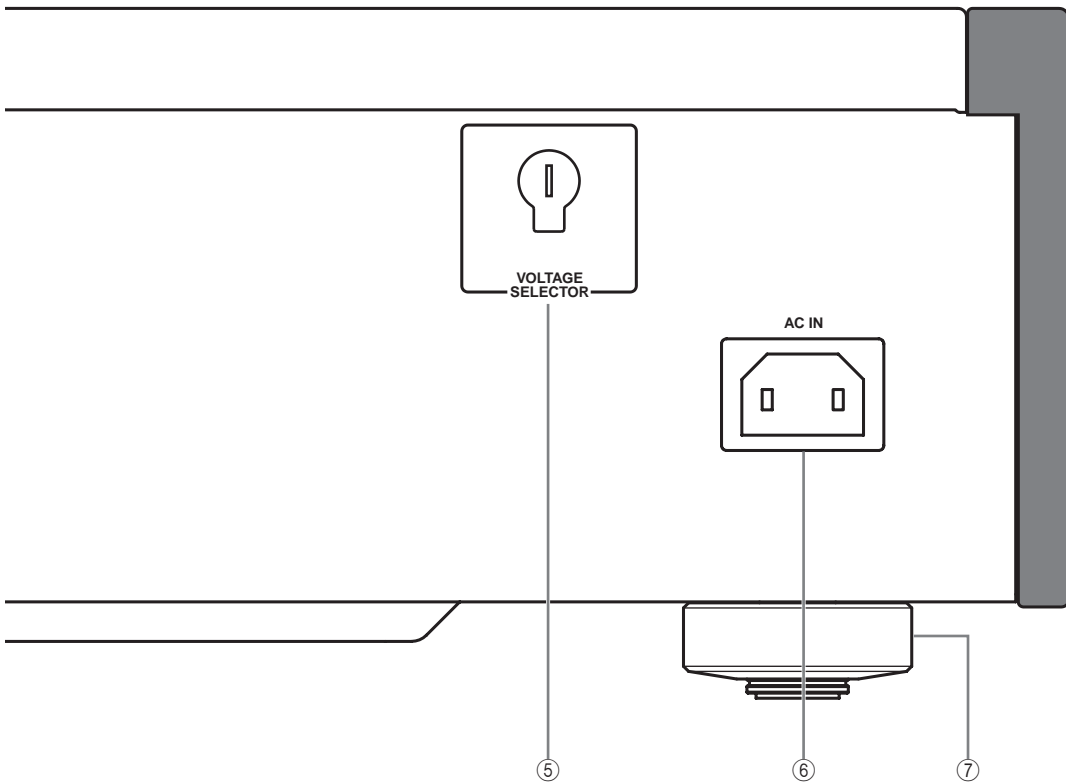
Voir pages 20 pour un complément d'informations sur la lecture MP3/WMA.

■ **Panneau arrière**

Voir page 14 en ce qui concerne les raccordements.

- ① **Prises BALANCED OUT**
- ② **Prises ANALOG OUT**
- ③ **Prise OPTICAL DIGITAL OUT**
- ④ **Prise COAXIAL DIGITAL OUT**

(Modèle pour l'Asie et modèle Standard)



⑤ **VOLTAGE SELECTOR**
(Modèle pour l'Asie et modèle Standard
seulement)

Vous devez régler le sélecteur VOLTAGE SELECTOR à l'arrière de cet appareil sur la tension secteur locale AVANT de brancher le câble d'alimentation secteur sur une prise secteur.

Voir page 16 pour un complément d'informations à ce sujet.

⑥ **AC IN**

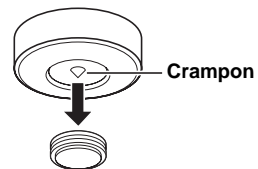
Utilisez cette prise pour brancher le câble d'alimentation secteur fourni.

Voir page 16 en ce qui concerne les raccordements.

⑦ **Pied**

Les pieds de cet appareil sont pourvus de crampons.

Utilisez ces crampons pour réduire l'effet des vibrations sur l'appareil. Si vous utilisez les crampons, retirez le pied magnétique en tirant dessus.



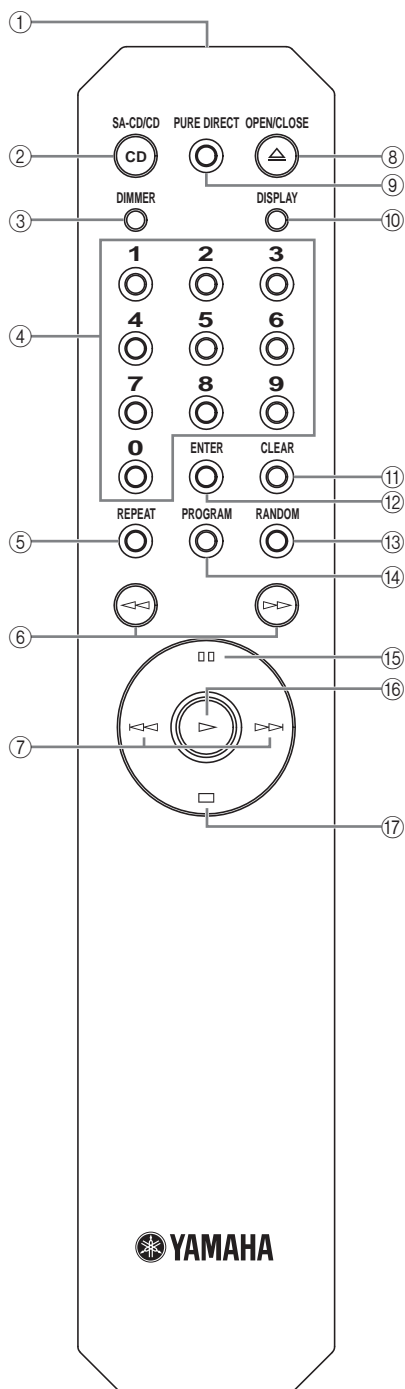
Avertissement

Les crampons des pieds peuvent rayer l'étagère ou la surface où vous installez cet appareil lorsque vous les utilisez. Utilisez les supports si vous posez cet appareil sur un meuble de valeur, etc.



Si l'appareil n'est pas stable, vous pouvez ajuster la hauteur d'un pied en le tournant.

■ Boîtier de télécommande



① Émetteur de signal infrarouge

Envoie les signaux infrarouges à cet appareil.

② SA-CD/CD

Sélectionne la couche de lecture SA-CD ou CD d'un SA-CD hybride.



- Le témoin SA-CD/CD sur le panneau avant s'allume lorsque la couche SA-CD est sélectionnée.

- Ce réglage est retenu en mémoire même à la mise hors tension de l'appareil.

③ DIMMER

Sélectionne le niveau de luminosité de l'afficheur du panneau avant. Chaque fois que vous appuyez sur DIMMER, le niveau de luminosité change de la façon suivante:

Max (luminosité maximale) → Niveau 1 (luminosité par défaut) → Niveau 2 → Niveau 3 (luminosité minimale) → Max



Ce réglage est retenu en mémoire même à la mise hors tension de l'appareil.

④ Pavé numérique

Sert à sélectionner directement une plage.

Remarque

Ceci n'est pas possible pour les disques MP3 ou WMA.

⑤ REPEAT

Répète une plage ou toutes les plages. A chaque pression du doigt sur REPEAT pendant la lecture, le mode de répétition change de la façon suivante:

- REP S (répétition d'une plage): A la fin de la plage actuelle, la lecture reprend au début de cette plage.
- REP ALL (répétition de toutes les plages): A la fin de la dernière plage, la lecture reprend au début de la première plage.

Remarque

Ceci n'est pas possible pour les disques MP3 ou WMA.

⑥ ◀ (Recherche arrière), ▶ (Recherche avant)

Recherche des plages vers l'arrière/l'avant..



Chaque fois que vous appuyez sur ◀ ou ▶, la vitesse de la recherche est multipliée par 4.

⑦ ◀◀ (Saut arrière), ▶▶ (Saut avant)

▶▶ : Saut à la plage suivante.

◀◀ : Revient au début de la plage actuelle.

◀◀ (deux fois) : Saut à la plage précédente.

⑧ OPEN/CLOSE

Cette touche ouvre ou ferme le tiroir de disques.

⑨ PURE DIRECT

Met en service le mode PURE DIRECT pour améliorer la qualité du son.

Lorsque cet appareil est en mode PURE DIRECT:

- Le témoin PURE DIRECT au-dessus de la touche s'allume.
- La sortie numérique est désactivée.
- L'afficheur du panneau avant s'éteint.



- Les témoins et messages restent affichés sur l'afficheur du panneau avant.
- Ce réglage est retenu en mémoire même à la mise hors tension de l'appareil.

⑩ DISPLAY

Change l'affichage du temps. A chaque pression du doigt sur DISPLAY pendant la lecture, l'affichage du temps change de la façon suivante:

- Temps écoulé de la plage actuelle (réglage par défaut)
Le témoin TRACK s'allume sur l'afficheur du panneau avant.
- Temps restant de la plage actuelle. Les témoins TRACK et REMAIN s'allument sur l'afficheur du panneau avant.
- Temps total restant sur le disque. Les témoins TOTAL et REMAIN s'allument sur l'afficheur du panneau avant.

⑪ CLEAR

Efface la dernière plage programmée lorsque l'appareil est en mode de programmation. Voir "Lecture de programme" sur cette page.



Vous pouvez effacer toutes les plages programmées lorsque la lecture est arrêtée.

⑫ ENTER

Valide un numéro de plage saisi lors de la programmation de plages.

⑬ RANDOM

Met en ou hors service le mode de lecture aléatoire.


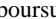
Remarques

- Ceci n'est pas possible pour les disques MP3 ou WMA.
- Le mode de lecture aléatoire est annulé lorsque la lecture est arrêtée ou le disque éjecté.

⑭ PROGRAM

Met en ou hors service le mode de lecture de programme. Voir "Lecture de programme" sur cette page.

⑮ (Pause)

Met la lecture en pause. Appuyez sur  ou  pour poursuivre la lecture.

⑯ (Lecture)

Active la lecture.

⑰ (Arrêt)

Arrête la lecture.

Voir pages 20 pour un complément d'informations sur la lecture MP3/WMA.

■ Lecture de programme

En mode de lecture de programme, vous pouvez lire les plages dans l'ordre de votre programmation.

Remarques

- Ceci n'est pas possible pour les disques MP3 ou WMA.
- Les plages programmées sont effacées lorsque le disque est éjecté ou cet appareil mis hors tension.

1 Appuyez sur PROGRAM pendant l'arrêt de la lecture.

Cet appareil est mis en mode de programmation.

2 Sélectionnez une plage à l'aide du pavé numérique et de ENTER.

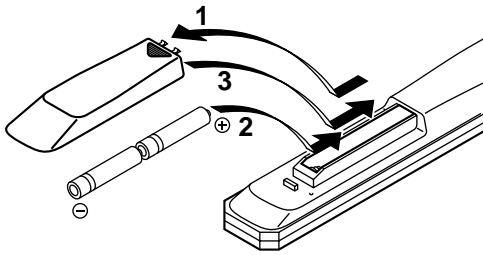
3 Répétez l'étape 2 pour programmer la plage suivante.

Vous pouvez programmer en tout 24 plages.

4 Appuyez sur .

La lecture commence par la première des plages programmées.

■ Mise en place des piles dans le boîtier de télécommande

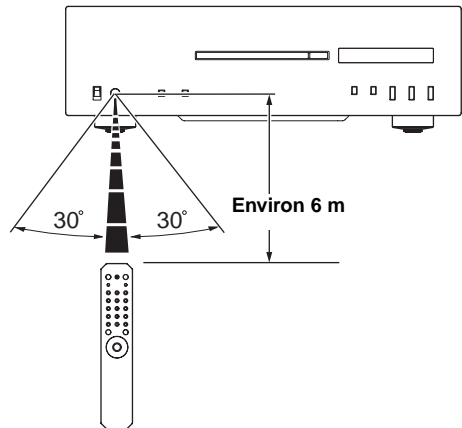


- 1 Appuyez sur la partie ▼ et faites glisser le couvercle du logement des piles.
- 2 Introduisez 2 piles fournies (AA, R6, UM-3) en respectant les polarités (+ et -) indiquées dans le logement.
- 3 Faites glisser le couvercle pour le remettre en place jusqu'à ce qu'il s'encliquette.

■ Utilisation du boîtier de télécommande

Le boîtier de télécommande émet un faisceau infrarouge étroit.

Veillez à le pointer directement sur le capteur de télécommande de l'appareil pour en assurer le fonctionnement.





CD-S2000 Raccordements

Dans cette section, vous allez raccorder le CD-S2000 à votre amplificateur.

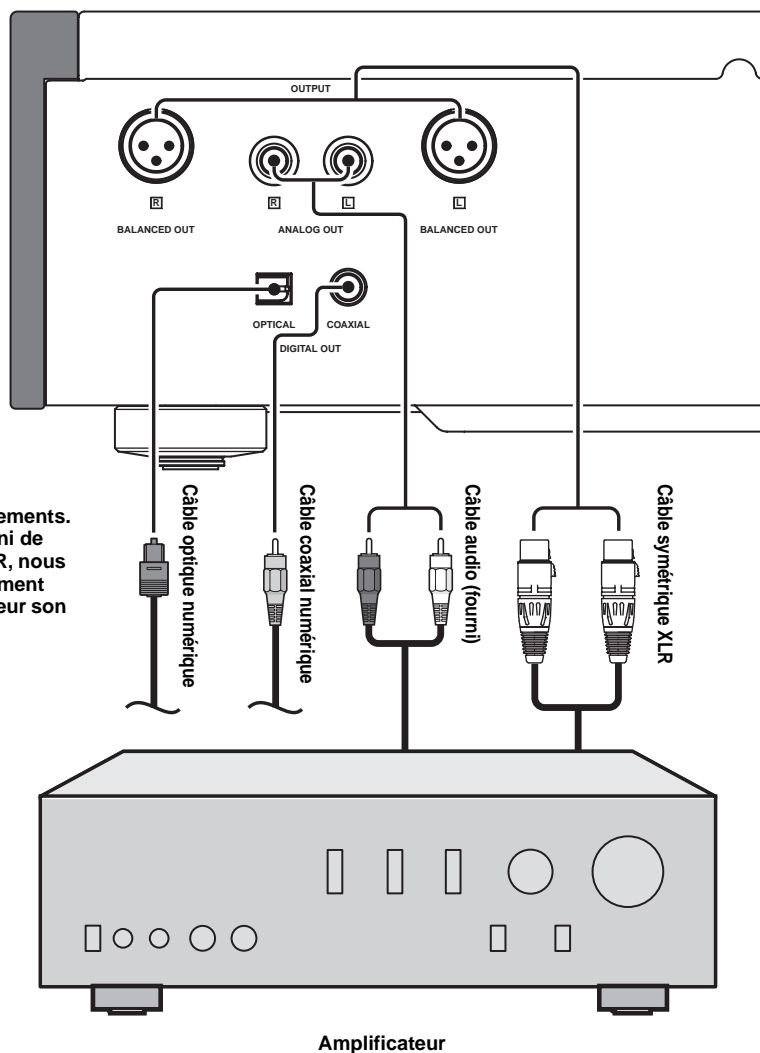
OUT

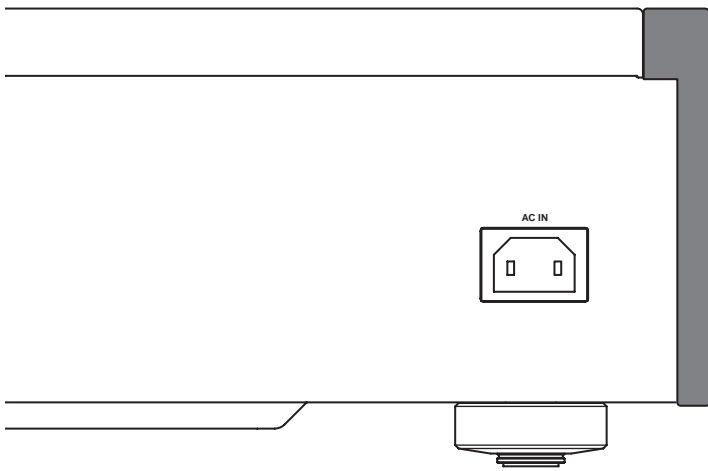
COAXIAL OUT

BALANCED OUT

COAXIAL

Sélectionnez un de ces raccordements.
Si votre amplificateur est muni de prises d'entrée symétriques XLR, nous vous conseillons le raccordement symétrique pour obtenir le meilleur son possible.

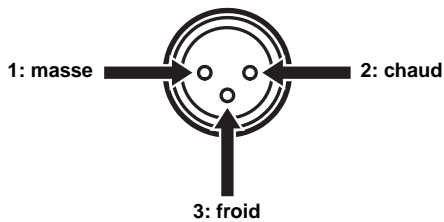




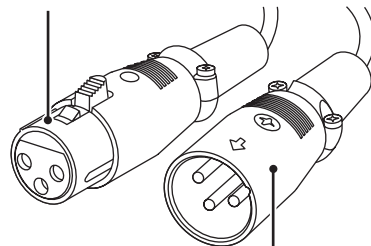
■ Raccordement aux prises BALANCED OUT

Raccordez votre amplificateur aux prises de sortie symétriques XLR. Les broches se répartissent de la façon suivante pour ces prises. Reportez-vous au mode d'emploi fourni avec votre amplificateur et vérifiez que les prises d'entrée symétriques XLR sont compatibles avec cette répartition des broches.

Lors du raccordement, veillez à bien aligner les broches et insérer la fiche symétrique XLR "femelle". Pour débrancher le câble à fiche "femelle" symétrique XLR, tirez sur la fiche tout en appuyant sur le taquet.



Fiche XLR "Femelle"



Fiche XLR "Mâle"

■ **VOLTAGE SELECTOR**
**(Modèle pour l'Asie et modèle Standard
 seulement)**

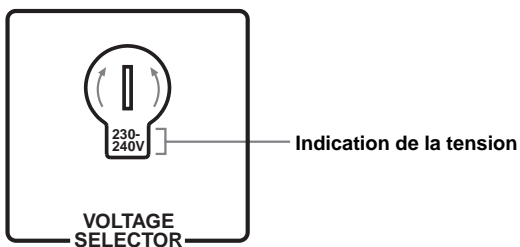
Avertissement

Le sélecteur VOLTAGE SELECTOR placé sur le panneau arrière de cet appareil doit être convenablement positionné AVANT de brancher la fiche du câble d'alimentation secteur. Un mauvais réglage du sélecteur VOLTAGE SELECTOR peut endommager l'appareil et créer un risque d'incendie.

Tournez le sélecteur VOLTAGE SELECTOR dans le sens horaire ou antihoraire pour le mettre en position correcte à l'aide d'un tournevis.

Les tensions sont les suivantes:

..... CA 110/120/220/230–240 V, 50/60 Hz



■ **Raccordement du cordon d'alimentation**

Branchez le câble d'alimentation secteur sur la prise AC IN lorsque tous les appareils ont été raccordés, puis branchez-le sur une prise secteur.



CD-S2000 Caractéristiques techniques

Dans cette section vous trouverez les caractéristiques techniques du CD-S2000.

SECTION AUDIO

- Réponse en fréquence
 - SA-CD 2 Hz à 50 kHz (-3 dB)
 - CD 2 Hz à 20 kHz
- Distorsion harmonique totale
 - SA-CD 0,0017% ou moins
 - CD 0,002% ou moins
- Rapport signal/bruit (Réseau IHF-A) 116 dB ou plus
- Dynamique
 - SA-CD 110 dB ou plus
 - CD 100 dB ou plus
- Niveau de sortie (1 kHz, 0 dB) $2,0 \pm 0,3$ V

PROPRIÉTÉS DE LA DIODE LASER

- Type
 - SA-CD Laser à semi-conducteur (AlGaInP)
 - CD Laser à semi-conducteur (AlGaAs)
- Longueur d'ondes
 - SA-CD 650 nm
 - CD 780 nm
- Puissance de sortie
 - SA-CD 5 mW (maximum)
 - CD 7 mW (maximum)

GÉNÉRALITÉS

- Alimentation
 - [Modèles pour les États-Unis et le Canada] CA 120 V, 60 Hz
 - [Modèle pour l'Asie et modèle Standard] CA 110/120/220/230-240 V, 50/60 Hz
 - [Modèle pour la Chine] CA 220 V, 50 Hz
 - [Modèle pour la Corée] CA 220 V, 60 Hz
 - [Modèle pour l'Australie] CA 240 V, 50 Hz
 - [Modèles pour le Royaume-Uni et l'Europe] CA 230 V, 50 Hz
 - Consommation 30 W
 - Consommation d'électricité hors service 0 W
 - Dimensions (L x H x P) 435 x 137 x 440 mm
 - Poids 15 kg
- * Les spécifications peuvent être modifiées sans avis préalable.

Entretien de cet appareil

Pour essayer cet appareil n'utilisez pas de solvants chimiques (alcool ou diluant, etc.) qui risqueraient d'endommager la finition. Utilisez un chiffon propre et sec. Pour enlever les taches rebelles, trempez un chiffon sec dans un mélange de détergent et d'eau et extrayez bien toute l'eau du chiffon avant de nettoyer l'appareil.

Les vis sur les panneaux latéraux peuvent se desserrer, car le bois se dilate et contracte. Le cas échéant, resserrez les vis.

Types de disques pris en charge

Cet appareil peut lire les disques compacts portant les logos suivants. N'essayez jamais de mettre d'autres types de disques dans cet appareil. Cet appareil peut également lire les disques compacts de 8 cm.

CD Super Audio

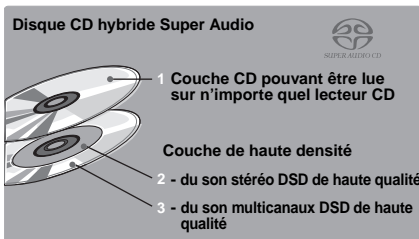
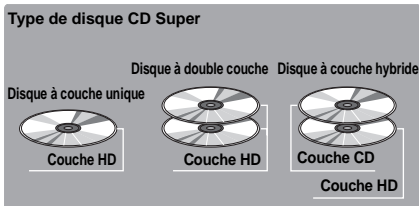


SUPER AUDIO CD

Il s'agit d'un format audio basé sur les normes CD actuelles mais contenant un grand nombre d'informations qui améliorent la qualité du son. Il existe trois types de disques: les disques à couche unique, les disques à double couche et les disques hybrides. Les disques hybrides peuvent être lus sur les lecteurs CD existants de même que sur les lecteurs Super Audio CD, car ils contiennent des informations CD audio classiques et Super Audio CD.

Remarque

L'afficheur du panneau avant de cet appareil n'affiche pas de données alphabétiques.



Disques compacts (audio numériques)



Les disques audio les plus populaires en vente dans le commerce.

Disques audio numériques CD-R, CD-RW



CD de musique obtenus par copie sur un CD-R ou CD-RW (fichiers de format MP3 ou WMA compris).

Remarques

- Veillez à utiliser des CD-R ou CD-RW d'une marque fiable.
- Veillez à utiliser des CD-R ou CD-RW sur lesquels au moins une des phrases suivantes est inscrite sur le disque ou le boîtier du disque.
 - FOR CONSUMER
 - FOR CONSUMER USE
 - FOR MUSIC USE ONLY
- Veillez à utiliser des CD-R ou CD-RW finalisés.

Disques CD-TEXT



Disques enregistrés avec des données alphabétiques, telles que les titres d'album, les titres de pages et les noms d'artistes. Ces disques peuvent être lus par les lecteurs de CD ordinaires.

Remarque

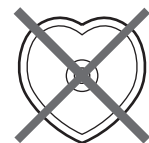
L'afficheur du panneau avant de cet appareil n'affiche pas de données alphabétiques.

REMARQUE:

Cet appareil ne pourra pas lire les CD-RW ou disques qui n'ont pas été enregistrés convenablement.

Pour éviter toute anomalie de fonctionnement:

- Ne pas utiliser un disque de forme inhabituelle (en forme de coeur, etc.), en vente dans le commerce, car il pourrait endommager cet appareil.
- Ne pas utiliser de disque ayant une étiquette, du ruban adhésif ou de la colle sur leur surface. Le disque pourrait rester coincé dans l'appareil et l'endommager.



Formats de disques lisibles

■ À propos des disques MP3 et WMA

Vous pouvez lire les fichiers MP3 et WMA enregistrés sur un CD-R ou CD-RW de la même façon qu'un CD de musique.

MP3

MP3 (MPEG-1 Audio Layer-3) est une technique connue pour compresser les données audio de manière à réduire la taille des fichiers. Toutefois, le niveau original de qualité sonore est préservé lors de la lecture.

Remarques

- Ce appareil lit les fichiers MP3 dans l'ordre alphanumérique.
- Un maximum de 648 dossiers et fichiers (combinés) et de 299 dossiers peuvent être reconnus; toutefois, certains dossiers et fichiers peuvent ne pas être reconnus à cause de la structure de leur répertoire.
- Selon les conditions d'enregistrement, par exemple les réglages utilisés lors de l'enregistrement, cet appareil peut être incapable de lire les plages ou les fichiers du disque dans l'ordre où elles ont été enregistrées.
- Cet appareil est compatible avec une fréquence d'échantillonnage de 44,1 kHz.
- Cet appareil est compatible avec un débit binaire de 32, 40, 48, 56, 64, 80, 96, 112, 128, 160, 192, 224, 256 ou 320 kbps. Le débit binaire variable n'est pas pris en charge.
- Le disque doit être compatible avec le standard ISO9660.
- Les données alphabétiques contenues dans les fichiers ne sont pas affichées sur cet appareil.

WMA

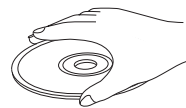
Le WMA (Windows Media Audio) est un format de fichier Microsoft utilisé pour le codage des fichiers audio numériques similaire au MP3 mais le WMA peut compresser les fichiers à un niveau plus élevé que le MP3.

Remarques

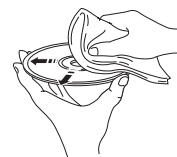
- Ce appareil lit les fichiers WMA dans l'ordre alphanumérique.
- Un maximum de 648 dossiers et fichiers (combinés) et de 299 dossiers peuvent être reconnus; toutefois, certains dossiers et fichiers peuvent ne pas être reconnus à cause de la structure de leur répertoire.
- Cet appareil est compatible avec une fréquence d'échantillonnage de 44,1 kHz.
- Cet appareil est compatible avec un débit binaire de 48, 64, 80, 96, 128, 160 ou 192 kbps. Le débit binaire variable n'est pas pris en charge.
- Le disque doit être compatible avec le standard ISO9660.
- Les fichiers WMA protégés contre la copie ne peuvent pas être lus sur cet appareil.
- Les données alphabétiques contenues dans les fichiers ne sont pas affichées sur cet appareil.

■ Maniement des disques compacts

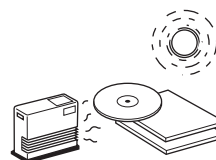
- Toujours manier un disque avec précaution de manière à ne pas rayer sa surface.



- Les disques compacts ne s'usent pratiquement pas à la lecture, mais une surface endommagée par un mauvais traitement peut affecter la lecture.
- Veuillez utiliser un crayon feutre ou un crayon similaire pour écrire sur la face étiquetée d'un disque. N'utilisez pas de stylo à bille, de crayon ni d'outils à extrémité dure, car ils peuvent endommager le disque et affecter la lecture.
- Ne pas tordre les disques.
- Lorsque vous n'utilisez pas un disque, retirez-le de l'appareil et rangez-le dans son boîtier.
- Lorsque vous retirez ou rangez un disque, veillez à ne pas rayer la face gravée.
- Les petites particules de poussière ou les traces de doigts sur la face gravée n'affectent pas les disques compacts, mais ils doivent malgré tout être maintenus propres. Essayez la surface du disque avec un chiffon propre et sec. N'essayez pas la surface du disque en un mouvement circulaire, mais en allant du centre vers la périphérie.



- N'essayez pas de nettoyer la surface du disque avec des produits de nettoyage de disques, des aérosols pour microsillons, des aérosols ou liquides antistatiques ou tout autre liquide à base chimique car ces substances peuvent endommager définitivement la surface du disque.
- N'exposez pas les disques à la lumière directe du soleil, à une haute température ou à une haute humidité pendant longtemps car ils pourraient se voiler ou être endommagés.



- Pour lire un disque compact de 8 cm posez-le sur le cercle intérieur du tiroir de disque. Ne posez pas un CD normal de 12 cm sur un CD de 8 cm.

Reportez-vous au tableau suivant si l'appareil ne fonctionne pas comme il devrait. Si l'anomalie constatée n'est pas mentionnée, ou encore si les actions correctives suggérées sont sans effet, mettez l'appareil hors service, débranchez la fiche du câble d'alimentation secteur et prenez contact avec le revendeur ou le service après-vente agréé Yamaha le plus proche.

Anomalies	Causes possibles	Actions correctives	Voir la page
L'appareil n'est pas sous tension lorsqu'on appuie sur POWER.	Le cordon d'alimentation n'est pas branché ou la fiche n'est pas enfoncée complètement.	Brancher le cordon convenablement.	16
Le tiroir du disque ne se ferme pas complètement.	Un objet obstrue le tiroir.	Vérifier attentivement le tiroir et retirer l'objet.	—
La lecture ne commence pas.	Le disque est endommagé.	Vérifier attentivement le disque et le changer si cela s'avère nécessaire.	—
	Il y a de l'humidité sur le bloc optique.	Attendre 20 à 30 minutes après avoir mis l'appareil sous tension, et commencer ensuite la lecture.	—
	Le disque est placé en sens inverse.	Remettre le disque en place avec son étiquette dirigée vers le haut.	—
	Le disque est sale.	Nettoyer le disque.	—
	Les formats MP3 et WMA ne sont pas compatibles avec cet appareil.	Remplacez le disque par un disque correctement enregistré et pouvant être lu sur cet appareil.	20
	Le disque CD-RW (réinscriptible) n'a pas été enregistré correctement.	Remplacez le disque par un disque correctement enregistré et pouvant être lu sur cet appareil.	—
	Remplacer le disque par un disque correctement enregistré qui peut être lu par cet appareil.	Remplacez le disque par un disque correctement enregistré et pouvant être lu sur cet appareil.	—
La lecture est retardée ou commence au mauvais endroit.	Le disque est sans doute rayé ou endommagé.	Vérifier attentivement le disque et le changer si cela s'avère nécessaire.	—
Pas de son.	Connexions des câbles incorrectes.	Connecter correctement les câbles. Si le problème persiste, les câbles sont sans doute défectueux.	14
	Fonctionnement incorrect de l'amplificateur.	Régler les commandes de l'amplificateur sur la sélection d'entrée correcte.	—
Existence de "sauts" du son.	Cet appareil est soumis à des vibrations ou à des chocs.	Placer l'appareil à un autre endroit.	—
	Le disque est sale.	Nettoyer le disque.	—
Existence de "bourdonnements" du son.	Connexions des câbles incorrectes.	Connecter les câbles correctement. Si le problème persiste, les câbles sont sans doute défectueux.	14
Parasites provenant d'un tuner proche.	Le tuner est trop près de cet appareil.	Eloigner le tuner de cet appareil.	—
Parasites provenant de l'intérieur du tiroir.	Le disque est sans doute voilé.	Remplacer le disque.	—
La télécommande de fonctionne pas.	Les piles de la télécommande sont trop faibles.	Remplacer les piles.	12
	Télécommande trop éloignée ou trop inclinée.	L'utiliser à moins de 6 m et dans un rayon de moins de 60°.	12
	Le détecteur de télécommande de cet appareil est exposé à la lumière directe du soleil (ou d'une lampe fluorescente de type inverseur, etc.).	Changez l'emplacement de l'appareil.	12

HiFi begann mit Yamaha

Yamaha's Verbundenheit mit und die Leidenschaft für Musik reicht über ein Jahrhundert zurück, bis zum Bau unseres ersten Harmoniums im Jahre 1887. Heute sind wir der weltweit führende Hersteller von Klavieren und anderen Musikinstrumenten, und wir sind auf viele andere Weisen mit Musik verbunden. Wir stellen professionelle Aufnahmeausrüstungen her, wir entwerfen Konzerthallen, und wir helfen Interpreten bei Konzerten mit der Aufstellung und der Klangoptimierung.

Diese Kenntnisse und Erfahrungen schlagen sich in unserer Produktion von Audiokomponenten auf viele Weisen nieder. Wir stellten unseren ersten HiFi- (High Fidelity) Plattenspieler im Jahre 1954 vor. Danach waren wir unter den ersten Unternehmen, die serienproduzierte, hochwertige Audioausrüstungen anboten, und wir haben zahlreiche Stereokomponenten vorgestellt, die legendär geworden sind.

Wir hoffen, Sie werden das echte HiFi-Erlebnis des Yamaha Natural Sound genießen.



Vortrefflichkeit im Audiobereich

1920-
1960s

Erste HiFi-Anlage 1920 vorgestellt

Wir stellten unsere ersten HiFi-Komponenten (Plattenspieler, UKW/MW-Tuner, Vollverstärker, Vorverstärker, Endstufenverstärker und Lautsprecher) in den Jahren 1955 - 1965 vor.



NS-20



CA-1000

„Natural Sound“-Lautsprecherbaureihe, vorgestellt im Jahre 1967

NS-20 Monitor-Lautsprecher



NS-690



NS-1000M

1970s

CA-1000 Vollverstärker

Mit A-Klasse-Bedienung setzt der CA-1000 den Standard für Vollverstärker.

NS-690 Monitor-Lautsprecher

NS-1000M Monitor-Lautsprecher

Ein wirklich legendärer Lautsprecher, der immer noch von HiFi-Enthusiasten bewundert wird.



B-1



C-2

B-1 Endstufenverstärker

Ein innovativer Endstufenverstärker, der FETs in allen Stufen einsetzt.

C-2 Steuerverstärker

Erhielt den Spitzenpreis bei der Internationalen Musik- und HiFi-Show in Mailand



PX-2



NS-10M

NS-10M Studio-Monitor-Lautsprecher

Wurde einer der beliebtesten Studiomonitore in der Welt.

A-1 Vollverstärker

PX-2 Plattenspieler

Yamahas erster Plattenspieler mit geradem Arm.



B-6



A-1

1980s

B-6 Endstufenverstärker

Pyramidenförmiger Endstufenverstärker.

GT-2000/L Plattenspieler

Erster CD-Player (CD-1) vorgestellt im Jahre 1983

B-2x Endstufenverstärker



MX-10000



B-2x

MX-10000 Endstufenverstärker und CX-10000 Steuerverstärker

Definierte die Fähigkeiten separater Komponenten neu.



Soavo-1



CX-10000

AX-1 Vollverstärker

1990s

GT-CD1 CD-Player

MX-1 Endstufenverstärker und CX-1 Vorverstärker

2000s

Soavo-1 und Soavo-2 „Natural Sound“-Lautsprechersysteme

A-S2000 Stereo-Verstärker und CD-S2000 Super Audio CD-Player



Soavo-2

CD-S2000

- ◆ *Symmetrische Vollstufen-Signalübertragung erzielt ultimative CD-Wiedergabe*
- ◆ *Symmetrische Vollstufen-Signalübertragung, beginnend mit dem Digital-Analog-Konverter*
- ◆ *Geräuschloser Lademechanismus und hochpräzises CD-Laufwerk*
- ◆ *Unabhängige Netzstufen mit kompletter Trennung der digitalen und analogen Schaltkreise*
- ◆ *Pure Direct*
- ◆ *Links-rechts-symmetrisches Design mit steifer, stabiler Konstruktion*
- ◆ *Hervorragender Klang von Super Audio CDs*

■ Mitgeliefertes Zubehör

Bitte überprüfen Sie, dass Sie alle folgenden Teile erhalten haben.

- Netzkabel
- Fernbedienung
- Batterien (AA, R6, Mignon) (×2)
- Audio-Cinch-Kabel
- Sicherheitsbroschüre

Inhaltsverzeichnis

Bedienungselemente und ihre Funktionen.....	6
Anschlüsse	14
Technische Daten	18
Abspielbares Disc-Format	19
Störungsbeseitigung	21

■ Über diese Anleitung

- ✨ zeigt einen Tipp für Ihre Bedienung an.
- Diese Anleitung wurde vor der Produktion gedruckt. Änderungen des Designs und der technischen Daten im Sinne ständiger Verbesserungen usw. vorbehalten. Im Falle einer Differenz zwischen der Anleitung und dem Produkt, weist das Produkt Priorität auf.
- Die Farbe von Abbildungen in dieser Anleitung kann sich von Originalfarbe unterscheiden.
- Lesen Sie die Sicherheitsbroschüre, bevor Sie dieses Gerät verwenden.

CD-S2000

Bedienungselemente und ihre Funktionen

In diesem Kapitel werden die Bedienungselemente und Funktionen des CD-S2000 beschrieben.

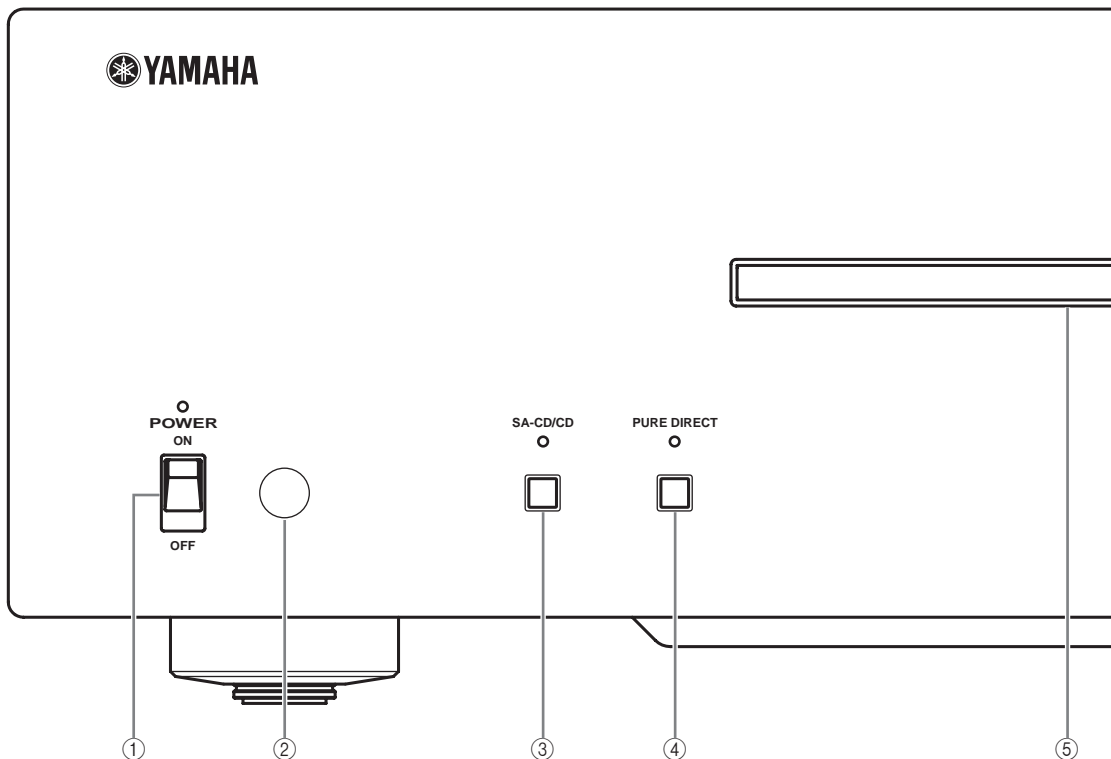
POWER
ON



OFF



■ Frontblende



① POWER

Drücken Sie hier nach oben oder unten, um das Gerät ein- oder auszuschalten.



Die darüber angeordnete POWER-Anzeige leuchtet auf, wenn dieses Gerät eingeschaltet wird.

② Fernbedienungssensor

Empfängt die Signale von der Fernbedienung.

③ SA-CD/CD

Schaltet das Wiedergabe-Layer einer Hybrid-SA-CD zwischen SA-CD und CD um.



- Die darüber angeordnete SA-CD/CD-Anzeige leuchtet auf, wenn das SA-CD-Layer gewählt ist.
- Diese Einstellung wird auch beim Ausschalten des Geräts bewahrt.

④ PURE DIRECT

Schaltet den PURE DIRECT-Modus ein, um die Audioqualität zu verbessern.

Wenn dieses Gerät im PURE DIRECT-Modus ist:

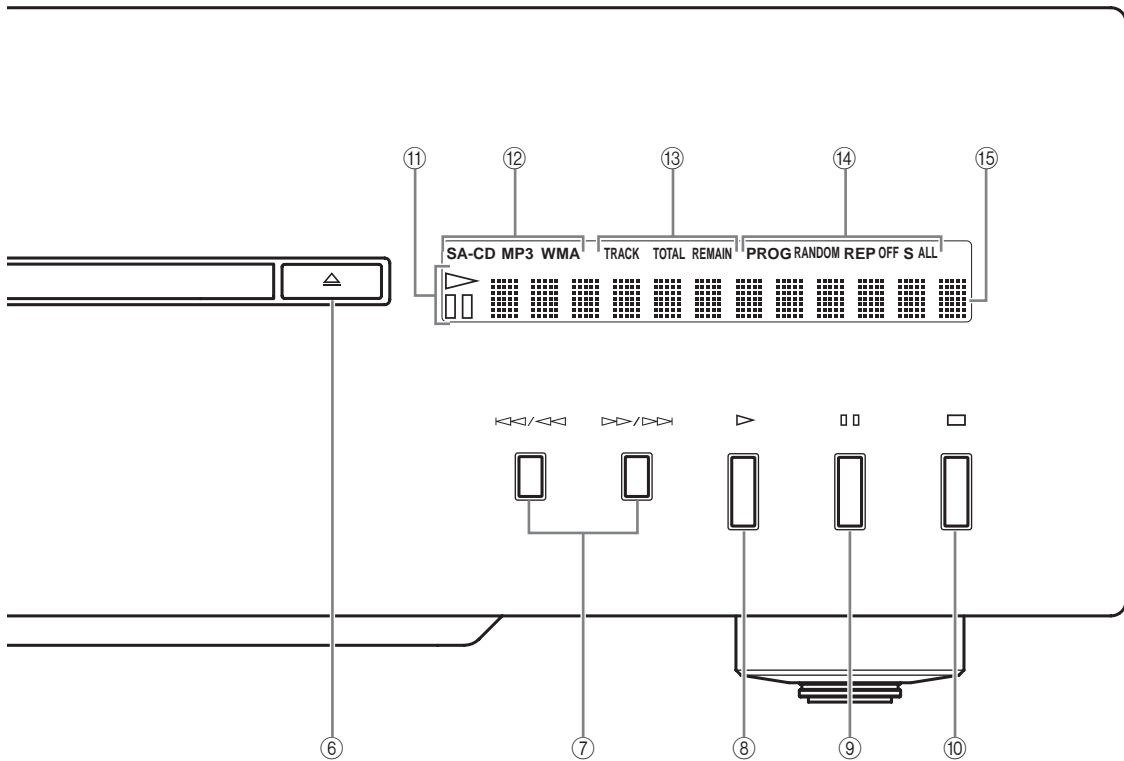
- Die PURE DIRECT-Anzeige darüber leuchtet auf.
- Der digitale Ausgang ist ausgeschaltet.
- Das Frontblende-Display ist erloschen.



- Die minimalen Anzeigen und Meldungen werden immer noch auf dem Frontblende-Display angezeigt.
- Erneut drücken, um den PURE DIRECT-Modus auszuschalten.
- Diese Einstellung wird auch beim Ausschalten des Geräts bewahrt.

⑤ Disc-Schublade

Hier wird eine CD eingelegt.



⑥ ▲ **(Öffnen/Schließen)**

Öffnet oder schließt das Disc-Fach.



Sie können die Disc-Schublade öffnen und schließen, indem Sie:

- ▷ (Play) an der Frontblende oder der Fernbedienung drücken, oder durch sanftes Drücken der Vorderkante der Disc-Schublade.
- drücken einer Zifferntaste auf der Fernbedienung.

⑦ ◀◀/▶▶ **(Sprung/Suche rückwärts),**

▶▶/▶▶ **(Sprung/Suche vorwärts)**

- ▶▶/▶▶ : Springt an den nächsten Track vor.
 - ◀◀/◀◀ : Springt an den Anfang des aktuellen Tracks zurück.
 - ◀◀/◀◀ (zweimal): Springt an den vorhergehenden Track zurück.
- Halten Sie ◀◀/◀◀ oder ▶▶/▶▶ in Rückwärts-/Vorwärtsrichtung gedrückt.



Bei jedem Gedrückthalten von ◀◀/◀◀ oder ▶▶/▶▶ , nimmt die Suchgeschwindigkeit um 4 Stufen zu.

⑧ ▷ **(Wiedergabe)**

Startet die Wiedergabe.

⑨ ◻◻ **(Pause)**

Schaltet die Wiedergabe auf Pause. Drücken Sie ▷ oder ◻◻ zum Fortsetzen der Wiedergabe.

⑩ ◻ **(Stopp)**

Stoppt die Wiedergabe.

⑪ **Wiedergabestatus-Anzeige**

⑫ **Disctyp-Anzeige**

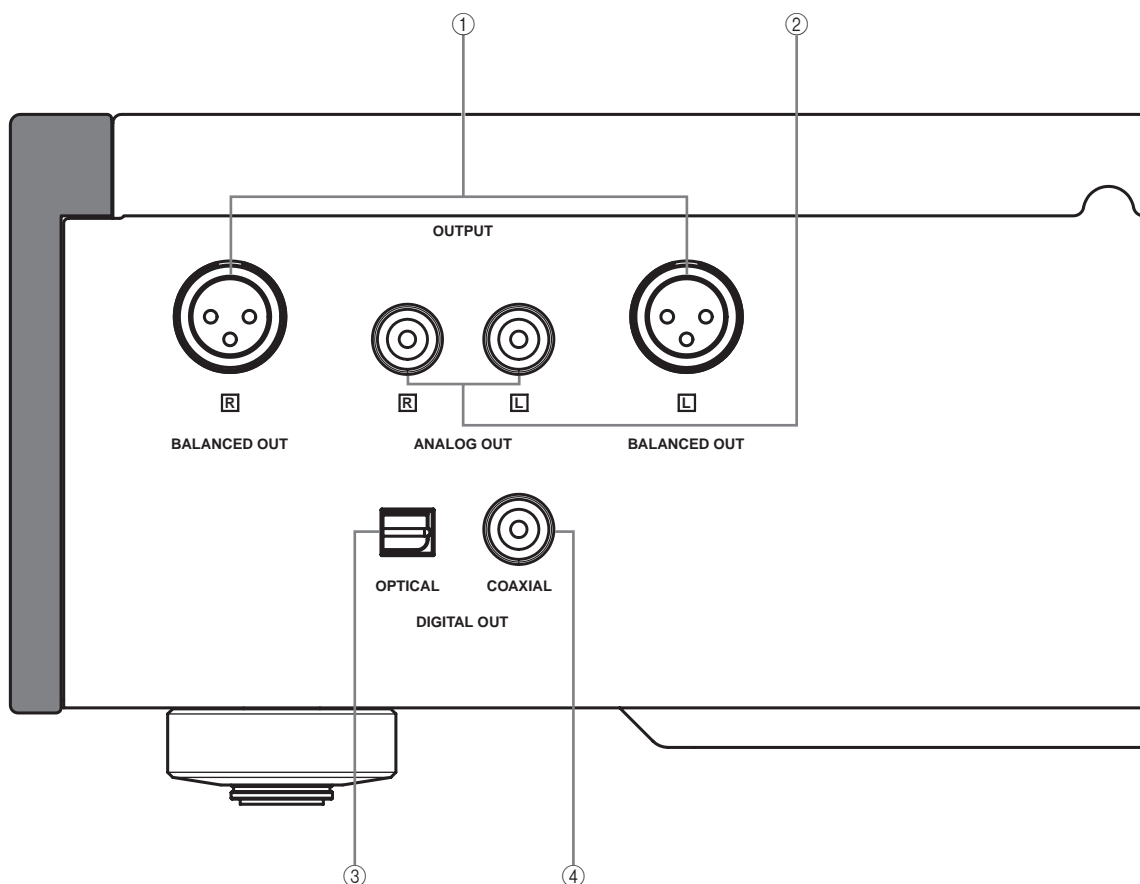
⑬ **Zeitanzeigemodus-Anzeige**

⑭ **Wiedergabemodusanzeige**

⑮ **Multi-Informationsdisplay**

Siehe Seite 20 für weitere Informationen über MP3/WMA Wiedergabe.

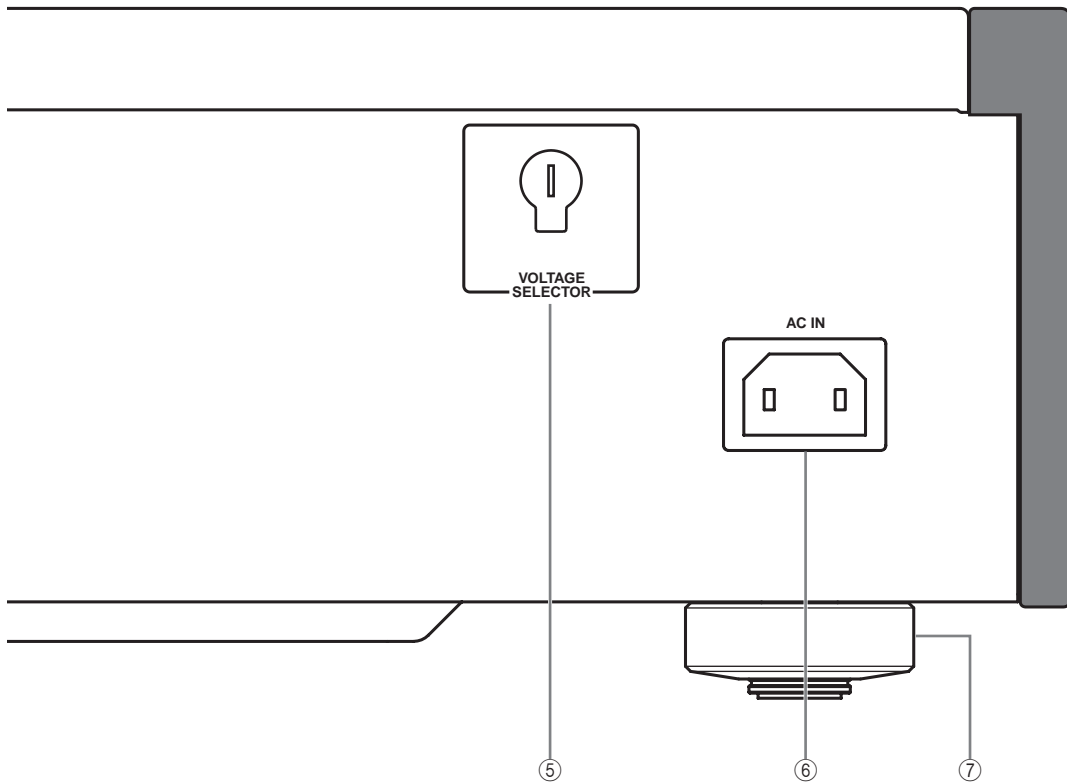
■ Rückwand



Siehe Seite 14 für Anschlussinformationen.

- ① **BALANCED OUT-Buchsen**
- ② **ANALOG OUT-Buchsen**
- ③ **OPTICAL DIGITAL OUT-Buchse**
- ④ **COAXIAL DIGITAL OUT-Buchse**

(Modell für Asien und Universalmodell)



⑤ **VOLTAGE SELECTOR**
(Nur Modell für Asien und Universalmodell)

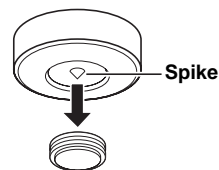
Der Spannungswahlschalter (VOLTAGE SELECTOR) auf der Rückseite dieses Gerätes muss auf Ihre örtliche Netzspannung eingestellt werden, BEVOR Sie den Netzstecker an eine Netzdose anstecken. Siehe Seite 16 für weitere Informationen.

⑥ **AC IN**

Verwenden Sie diese Buchse, um das mitgelieferte Netzkabel anzuschließen. Siehe Seite 16 für Anschlussinformationen.

⑦ **Fuß**

Der Fuß dieses Gerätes enthält eingebaute Spikes. Durch Verwendung der Spikes kann die Auswirkungen von Vibrationen auf das Gerät verringert werden. Bei Verwendung der Spikes ziehen Sie den Magnetfuß ab.



Vorsicht

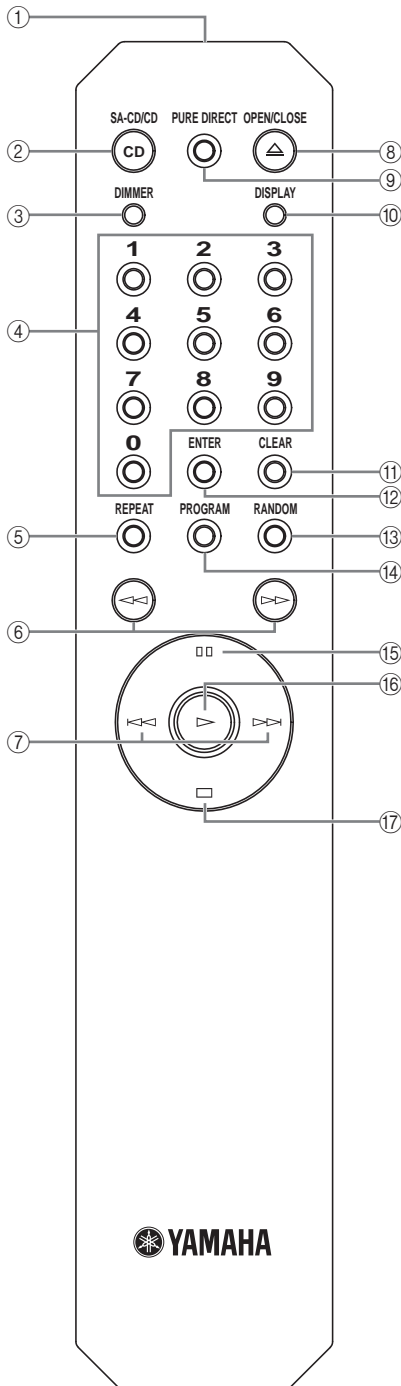
Wenn die eingebauten Spikes der Füße verwendet werden, können die Spikes das Regal oder den Boden, auf dem das Gerät aufgestellt ist, zerkratzen. Verwenden Sie die Stützen bei Aufstellung dieses Gerätes auf teuren Möbeln usw.



Wenn dieses Gerät instabil ist, können Sie die Fußhöhe durch Drehen einstellen.

Bedienungselemente und ihre Funktionen

■ Fernbedienung



① Infrarot-Signalleiter

Sendet die Infrarotsignale an dieses Gerät.

② SA-CD/CD

Schaltet das Wiedergabe-Layer einer Hybrid-SA-CD zwischen SA-CD und CD um.



- Die SA-CD/CD-Anzeige an der Frontblende leuchtet auf, wenn das SA-CD-Layer gewählt ist.
- Diese Einstellung wird auch beim Ausschalten des Geräts bewahrt.

③ DIMMER

Wählt den Helligkeitsgrad des Frontblende-Displays. Bei jedem Drücken der Taste DIMMER schaltet der Helligkeitspegel in der folgenden Reihenfolge um: Max (am hellsten) → Level 1 (Standard) → Level 2 → Level 3 (am dunkelsten) → Max



Diese Einstellung wird auch beim Ausschalten des Geräts bewahrt.

④ Zifferntasten

Zum direkten Wählen eines Titels verwenden.

Hinweis

Dieser Vorgang ist für MP3- oder WMA-Discs unwirksam.

⑤ REPEAT

Wiederholt die Wiedergabe eines einzelnen Titels oder aller Titels. Mit jedem Drücken von REPEAT während der Wiedergabe ändert sich der Wiederholwiedergabe-Modus wie folgt:

- REP S (Einzelwiederholungswiedergabe): Wenn das Ende des laufenden Titels erreicht ist, wird die Wiedergabe vom Anfang des laufenden Titels wiederholt.
- REP ALL (Alle-Wiederholungswiedergabe): Wenn das Ende des letzten Titels erreicht ist, wird die Wiedergabe vom Anfang des ersten Titels wiederholt.

Hinweis

Dieser Vorgang ist für MP3- oder WMA-Discs unwirksam.

⑥ << (Suche rückwärts), >> (Suche vorwärts)

Sucht Titels rückwärts/vorwärts.



Bei jedem Drücken von << oder >> nimmt die Suchgeschwindigkeit um 4 Stufen zu.

⑦ <<< (Sprung rückwärts), >>> (Sprung vorwärts)

>>> : Springt an den nächsten Track vor.

<<< : Springt an den Anfang des aktuellen Tracks zurück.

<<< (zweimal): Springt an den vorhergehenden Track zurück.

⑧ OPEN/CLOSE

Öffnet oder schließt das Disc-Fach.

⑨ PURE DIRECT

Schaltet den PURE DIRECT-Modus ein, um die Audioqualität zu verbessern.

Wenn dieses Gerät im PURE DIRECT-Modus ist:

- Die PURE DIRECT-Anzeige darüber leuchtet auf.
- Der digitale Ausgang ist ausgeschaltet.
- Das Frontblende-Display ist erloschen.



- Die minimalen Anzeigen und Meldungen werden immer noch auf dem Frontblende-Display angezeigt.
- Diese Einstellung wird auch beim Ausschalten des Geräts bewahrt.

⑩ DISPLAY

Schaltet die Zeitanzeigen um. Mit jedem Drücken von DISPLAY während der Wiedergabe ändert sich die Zeitanzeige wie folgt:

- Verfllossene Zeit des aktuellen Titels (Vorgabe-Einstellung). Die Anzeige TRACK leuchtet auf dem Frontblende-Display auf.
- Restliche Zeit des aktuellen Titels. Die Anzeigen TRACK und REMAIN leuchten auf dem Frontblende-Display auf.
- Gesamte Restzeit der Disc. Die Anzeigen TOTAL und REMAIN leuchten auf dem Frontblende-Display auf.

⑪ CLEAR

Löscht den letzten programmierten Track, wenn dieses Gerät im Programmeditiermodus ist.



Sie können alle programmierten Tracks bei gestoppter Wiedergabe löschen. Siehe „Programmwiedergabe“ auf dieser Seite.

⑫ ENTER

Bestätigt eine eingegebene Titelnummer beim Programmieren von Titeln.

⑬ RANDOM

Schaltet den Zufallswiedergabe-Modus ein oder aus.

Hinweise

- Dieser Vorgang ist für MP3- oder WMA-Discs unwirksam.
- Der Zufallswiedergabe-Modus wird aufgehoben, wenn die Wiedergabe gestoppt oder die Disc ausgeschoben ist.

⑭ PROGRAM

Schaltet den Programmwiedergabe-Modus ein oder aus. Siehe „Programmwiedergabe“ auf dieser Seite.

⑮ ⏸ (Pause)

Schaltet die Wiedergabe auf Pause. Drücken Sie ▷ oder ⏸ zum Fortsetzen der Wiedergabe.

⑯ ▷ (Wiedergabe)

Startet die Wiedergabe.

⑰ □ (Stopp)

Stoppt die Wiedergabe.

Siehe Seite 20 für weitere Informationen über MP3/WMA Wiedergabe.

■ Programmwiedergabe

Im Programmwiedergabemodus, können Sie Titeln in einer programmierten Sequenz abspielen.

Hinweise

- Dieser Vorgang ist für MP3- oder WMA-Discs unwirksam.
- Die programmierten Titeln werden gelöscht, wenn die Disc ausgeschoben oder das Gerät ausgeschaltet wird.

1 Drücken Sie PROGRAM, während die Wiedergabe gestoppt ist.

Dieses Gerät ist in den Programmeditiermodus geschaltet.

2 Wählen Sie einen Titel mit den Zifferntasten und ENTER.

3 Wiederholen Sie Schritt 2, um den nächsten Titel zu programmieren.

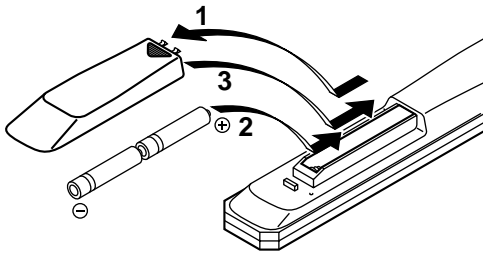
Sie können bis zu 24 Titeln programmieren.

4 Drücken Sie ▷.

Die Wiedergabe wird ab dem Anfang der programmierten Sequenz gestartet.

Bedienungselemente und ihre Funktionen

■ Einsetzen der Batterien in die Fernbedienung

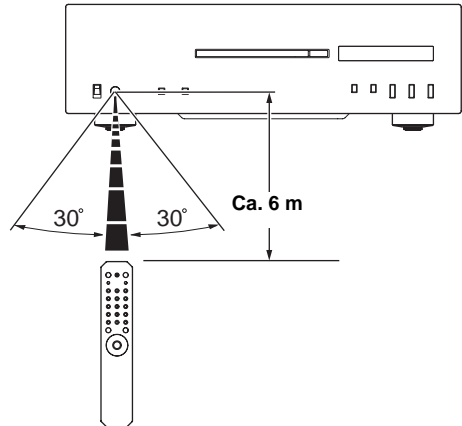


- 1** Drücken Sie an dem ▼ Teil, und schieben Sie den Batteriefachdeckel ab.
- 2** Setzen Sie die zwei mitgelieferten Batterien (AA, R6, Mignon) mit der im Batteriefach bezeichneten Polarität (+ und -) ein.
- 3** Schieben Sie den Deckel wieder auf, bis dieser einrastet.

■ Verwendung der Fernbedienung

Die Fernbedienung sendet einen gerichteten Infrarotstrahl aus.

Richten Sie die Fernbedienung während der Bedienung unbedingt direkt auf den Fernbedienungssensor auf der Frontblende dieses Gerätes.





CD-S2000 Anschlüsse

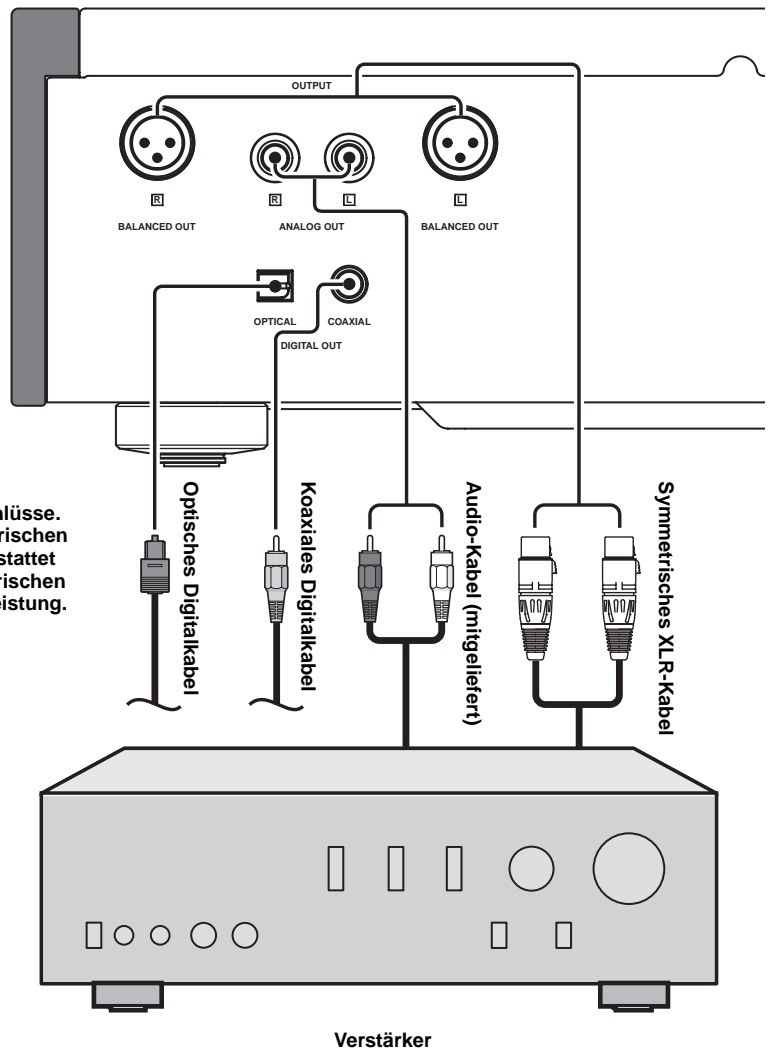
In diesem Abschnitt stellen Sie die Verbindungen zwischen CD-S2000 und Ihrem Verstärker her.

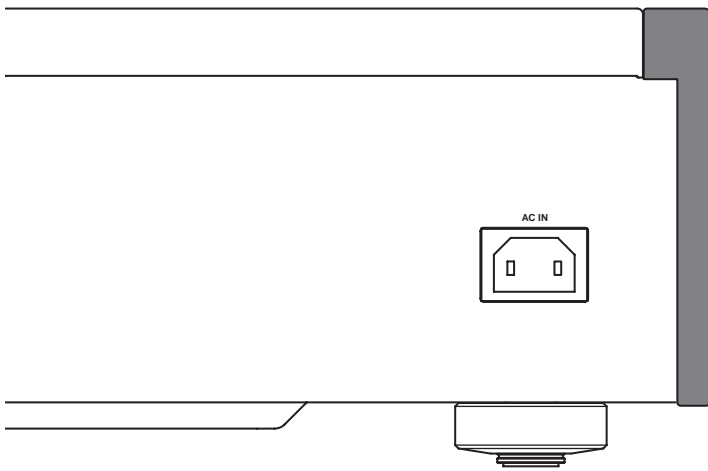
ING OUT

BALANCED OUT

COAXIAL

Wählen Sie einen dieser Anschlüsse.
Wenn Ihr Verstärker mit symmetrischen
XLR-Eingangsbuchsen ausgestattet
ist, empfehlen wir den symmetrischen
Anschluss für optimale Audioleistung.

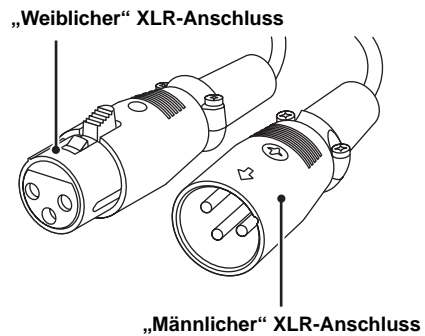
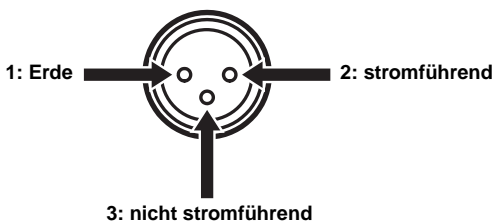




■ Anschluss an die BALANCED OUT-Buchsen

Schließen Sie Ihren Verstärker an die symmetrischen XLR-Ausgangsbuchsen an. Die Pinbelegungen für diese Buchsen werden unten gezeigt. Sehen Sie in der Bedienungsanleitung Ihres Verstärkers nach, um zu bestätigen, dass die symmetrischen XLR-Eingangsbuchsen mit den Pinbelegungen kompatibel sind.

Beim Anschließen vergewissern Sie sich, dass die Pins richtig angesetzt sind und stecken Sie den Steckverbinder des „weiblichen“ symmetrischen XLR-Kabels vollständig ein. Beim Abziehen ziehen Sie das „weibliche“ symmetrische XLR-Kabel heraus, während Sie die Verriegelung am Stecker gedrückt halten.



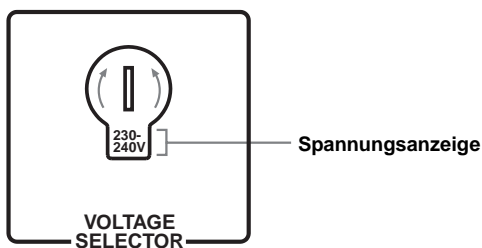
■ VOLTAGE SELECTOR
(Nur Modell für Asien und Universalmodell)**Vorsicht**

Der VOLTAGE SELECTOR an der Rückseite dieses Gerätes muss auf Ihre örtliche Netzspannung eingestellt werden, BEVOR Sie den Netzstecker an die Netzdose einstecken. Falsche Einstellung von VOLTAGE SELECTOR kann zu Schäden am Gerät führen und eine mögliche Brandgefahr darstellen.

Drehen Sie den VOLTAGE SELECTOR mit einem Schlitzschraubenzieher im Uhrzeigersinn oder gegen den Uhrzeigersinn.

Die folgenden Netzspannungen werden verwendet:

..... 110/120/220/230–240 V Netzspannung, 50/60 Hz

**■ Anschließen des Netzkabels**

Stecken Sie das Netzkabel in den AC IN-Anschluss, nachdem alle anderen Anschlüsse fertig gestellt wurden, und schließen Sie danach das Netzkabel an eine Netzsteckdose an.



CD-S2000 **Technische Daten**

In diesem Abschnitt finden Sie technische Daten für CD-S2000.

AUDIOABSCHNITT

- Frequenzgang
 - SA-CD 2 Hz bis 50 kHz (-3 dB)
 - CD 2 Hz bis 20 kHz
- Gesamtklirrfaktor
 - SA-CD 0,0017% oder weniger
 - CD 0,002% oder weniger
- Signal-Rauschspannungsabstand (IHF-A Netzwerk)
 - 116 dB oder mehr
- Dynamikbereich
 - SA-CD 110 dB oder mehr
 - CD 100 dB oder mehr
- Ausgangspegel (1 kHz, 0 dB) $2,0 \pm 0,3$ V

EIGENSCHAFTEN DER LASERDIODE

- Typ
 - SA-CD Halbleiterlaser (AlGaInP)
 - CD Halbleiterlaser (AlGaAs)
- Wellenlänge
 - SA-CD 650 nm
 - CD 780 nm
- Ausgangsleistung
 - SA-CD 5 mW (max)
 - CD 7 mW (max)

ALLGEMEINES

- Netzspannung/-frequenz
 - [Modelle für U.S.A. und Kanada] 120 V Netzspannung, 60 Hz
 - [Modelle für Asien und Universalmodell] 110/120/220/230-240 V Netzspannung, 50/60 Hz
 - [Modell für China] 220 V Netzspannung, 50 Hz
 - [Modell für Korea] 220 V Netzspannung, 60 Hz
 - [Modell für Australien] 240 V Netzspannung, 50 Hz
 - [Modelle für Großbritannien und Europa] 230 V Netzspannung, 50 Hz
 - Leistungsaufnahme 30 W
 - Leistungsaufnahme im Aus-Zustand 0 W
 - Abmessungen (B x H x T) 435 x 137 x 440 mm
 - Gewicht 15 kg
- * Änderungen bei technischen Daten bleiben vorbehalten.

Pflege dieses Gerätes

Verwenden Sie beim Abwischen dieses Gerätes keine chemischen Lösungsmittel (z.B. Alkohol oder Terpentin usw.); dadurch kann die Oberfläche beschädigt werden. Verwenden Sie einen sauberen, trockenen Lappen. Tränken Sie bei schwerer Verschmutzung einen weichen Lappen mit wässriger Spülmittellösung und wischen damit diese Einheit ab.

Die Schrauben an den Seitenplatten können sich lockern, da sich Holz ausdehnt und zusammenzieht. In diesem Fall ziehen Sie die Schraube fest.

■ Unterstützte Disc-Typen

Dieses Gerät ist auf die Wiedergabe von Compact Discs mit den unten gezeigten Kennzeichnungen ausgelegt. Versuchen Sie niemals, andere Disc-Typen in dieses Gerät einzusetzen. Dieses Gerät kann auch Single-CDs (8 cm) abspielen.

Super Audio CD

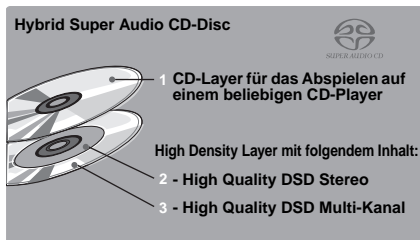
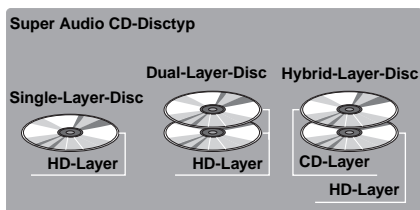


SUPER AUDIO CD

Audio-Format basierend auf den gegenwärtigen CD-Standards, schließt aber eine größere Informationsmenge für verbesserte Klangqualität ein. Es gibt drei Typen der Discs: Single-Layer-, Dual-Layer- und Hybrid-Discs. Die Hybrid-Disc kann an vorhandenen CD-Playern sowie auch auf Super-Audio-CD-Playern abgespielt werden, da sie sowohl Standard-Audio-CD- als auch Super-Audio-CD-Informationen enthält.

Hinweis

Dieses Gerät zeigt keine Textdaten auf dem Frontblende-Display an.



Compact Discs (Digital-Audio)



Die beliebtesten Discs für handelsübliche Audio-CDs.

CD-R, CD-RW digitale Audio-Discs



Musik-CDs, die durch Kopieren auf eine CD-R oder CD-RW (einschließlich Dateien im MP3- oder WMA-Format) angefertigt wurden.

Hinweise

- Verwenden Sie nur CD-R- oder CD-RW-Discs von namhaften Herstellern.
- Vergewissern Sie sich immer, dass nur eine CD-R- oder CD-RW-Disc verwendet wird, die mindestens eine der folgenden Aussagen auf der Disc oder der Disc-Hülle trägt.
 - FOR CONSUMER
 - FOR CONSUMER USE
 - FOR MUSIC USE ONLY
- Verwenden Sie nur eine finalisierte CD-R- oder CD-RW-Disc.

CD-TEXT-Discs



Die mit Textdaten wie Albumtiteln, Tracktiteln und Interpretennamen bespielten Discs. Diese Discs können mit gewöhnlichen CD-Playern abgespielt werden.

Hinweis

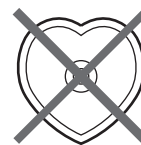
Dieses Gerät zeigt keine Textdaten auf dem Frontblende-Display an.

HINWEIS:

Dieses Gerät ist möglicherweise nicht in der Lage, bestimmte CD-RW-Discs abzuspielen, oder Discs, auf denen die Aufnahme nicht korrekt ausgeführt wurde.

Zum Verhindern einer Fehlfunktion an diesem Gerät:

- Verwenden Sie keine nicht-standardmäßigen Discs (wie etwa herzförmige), die gelegentlich angeboten werden, da diese das Gerät beschädigen können.
- Verwenden Sie niemals eine Disc mit auf der Oberfläche angebrachtem Klebeband, Aufklebern oder Klebstoff. Eine derartige Disc kann im Gerät festsitzen oder dieses beschädigen.



■ Über MP3- und WMA-Discs

Sie können auf einer CD-R oder CD-RW aufgezeichnete MP3- und WMA-Dateien mit ähnlichen Verwendungen wie einer Musik-CD wiedergeben.

MP3

MP3 (MPEG-1 Audio Layer-3) ist eine Standard-Technologie mit einem Format, das Audio-Sequenzen in Dateien geringer Größe komprimiert. Dabei wird jedoch das ursprüngliche Niveau der Klangqualität bei der Wiedergabe beibehalten.

Hinweise

- Dieses Gerät spielt MP3-Dateien in alphanumerischer Reihenfolge ab.
- Bis zu 648 Ordner und Dateien (kombiniert) und bis zu 299 Ordner werden erkannt; manche Ordner und Dateien werden aber je nach ihrer Verzeichnisstruktur nicht erkannt.
- Abhängig von den Aufnahmebedingungen, wie z.B. den Einstellungen der Aufnahmesoftware, kann dieses Gerät vielleicht die Disc oder die Dateien nicht in der aufgezeichneten Reihenfolge wiedergeben.
- Dieses Gerät ist mit einer Samplingfrequenz von 44,1 kHz kompatibel.
- Dieses Gerät ist mit einer Bitrate von 32, 40, 48, 56, 64, 80, 96, 112, 128, 160, 192, 224, 256 oder 320 kbps kompatibel. Variable Bitrate ist nicht unterstützt.
- Die Disc muss mit ISO9660 kompatibel sein.
- Die in den Dateien enthaltenen Textdaten werden nicht auf diesem Gerät angezeigt.

WMA

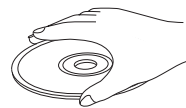
WMA (Windows Media Audio) ist ein Microsoft-Dateiformat zur Codierung digitaler Audiodateien ähnlich wie MP3, obwohl WMA Dateien mit einer höheren Rate als MP3 komprimieren kann.

Hinweise

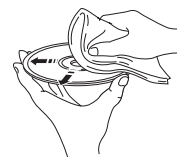
- Dieses Gerät spielt WMA-Dateien in alphanumerischer Reihenfolge ab.
- Bis zu 648 Ordner und Dateien (kombiniert) und bis zu 299 Ordner werden erkannt; manche Ordner und Dateien werden aber je nach ihrer Verzeichnisstruktur nicht erkannt.
- Dieses Gerät ist mit einer Samplingfrequenz von 44,1 kHz kompatibel.
- Dieses Gerät ist mit einer Bitrate von 48, 64, 80, 96, 128, 160, oder 192 kbps kompatibel. Variable Bitrate ist nicht unterstützt.
- Die Disc muss mit ISO9660 kompatibel sein.
- Urheberrechtlich geschützte WMA-Dateien können mit diesem Gerät nicht abgespielt werden.
- Die in den Dateien enthaltenen Textdaten werden nicht auf diesem Gerät angezeigt.

■ Behandlung von Compact Discs

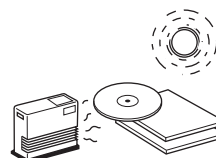
- Behandeln Sie eine Disc immer vorsichtig, um Zerkratzen der Oberfläche zu vermeiden.



- Compact Discs werden bei der Wiedergabe kaum verschlissen, aber Schäden an der Oberfläche durch grobe Behandlung können die Disc-Wiedergabe beeinträchtigen.
- Verwenden Sie zum Schreiben auf der Beschriftungsseite einer Disc nur einen Filzschreiber o.ä. Verwenden Sie keinen Kugelschreiber, Bleistift oder ähnliches Schreibgeräte mit harter Spitze, da diese die Disc beschädigen und die Wiedergabe beeinträchtigen können.
- Nicht Discs verbiegen.
- Wenn eine Disc momentan nicht verwendet wird, entnehmen Sie sie aus dem Gerät und legen Sie sie an geeigneter Stelle ab.
- Beim Entnehmen oder Ablegen einer Disc immer darauf achten, nicht die Wiedergabeoberfläche zu zerkratzen.
- Compact Discs werden durch kleine Staubpartikel oder Fingerabdrücke nicht beeinflusst, aber trotzdem müssen sie sauber gehalten werden. Wischen Sie die Disc-Oberfläche mit einem sauberen, trockenen Tuch ab. Wischen Sie die Disc-Oberfläche nicht mit kreisförmigen Bewegungen ab; wischen Sie sie von der Mitte nach nach außen ab.



- Versuchen Sie nicht, die Disc-Oberfläche mit Disc-Reinigungsmitteln, Schallplattenspray, Antistatikspray oder -flüssigkeiten oder anderen Chemikalien zu reinigen, da dadurch die Disc-Oberfläche irreparabel beschädigt werden kann.
- Setzen Sie Discs nicht längere Zeit direktem Sonnenlicht, hohen Temperaturen oder hoher Luftfeuchtigkeit aus, da die Discs durch solche Bedingungen verformt oder anderweitig beschädigt werden können.



- Zur Wiedergabe einer 8-cm-Compact-Disc (Single-CD) setzen Sie diese in den vertieften Teil der Disc-Schublade ein. Setzen Sie keine normale 12-cm-CD über einer 8-cm-CD ein.

Siehe das nachfolgende Diagramm, wenn dieses Gerät nicht richtig funktionieren sollte. Falls das aufgetretene Problem in der nachfolgenden Tabelle nicht aufgeführt ist oder die nachfolgenden Instruktionen nicht helfen, schalten Sie das Gerät aus, ziehen Sie den Netzstecker, und wenden Sie sich an den nächsten autorisierten Yamaha Fachhändler oder Kundendienst.

Problem	Ursache	Abhilfe	Vorgehensweise
Das Gerät kann nicht eingeschaltet werden, wenn POWER nach oben gedrückt ist.	Das Netzkabel ist nicht oder nicht richtig an der Steckdose angeschlossen.	Das Netzkabel richtig anschließen.	16
Die CD-Lade wird nicht vollständig geschlossen.	Ein Fremdkörper hat sich in der CD-Lade verklemmt.	Die CD-Lade vorsichtig überprüfen und den Fremdkörper entfernen.	—
Die Wiedergabe beginnt nicht.	Die CD ist beschädigt.	Die CD vorsichtig prüfen und ggf. eine andere CD verwenden.	—
	Am Laser-Abtaster hat sich Kondensat niedergeschlagen.	Nach dem Einschalten 20 bis 30 Minuten mit dem Beginn der Wiedergabe warten.	—
	Die CD wurde verkehrt eingelegt.	Die CD mit der Beschriftung nach oben gerichtet einlegen.	—
	Die CD ist verschmutzt.	Die CD reinigen.	—
	Die Formate MP3 oder WMA sind nicht mit diesem Gerät kompatibel.	Eine nicht standardmäßige CD läßt sich mit diesem Gerät nicht wiedergeben.	20
	Die CD-RW (wiederbeschreibbare CD) wurde nicht richtig aufgezeichnet.	Eine nicht standardmäßige CD läßt sich mit diesem Gerät nicht wiedergeben.	—
	Eine standardmäßige CD verwenden, die sich mit diesem Gerät wiedergegeben läßt.	Eine nicht standardmäßige CD läßt sich mit diesem Gerät nicht wiedergeben.	—
Der Beginn der Wiedergabe ist verzögert bzw. die Wiedergabe beginnt an der falschen Stelle.	Die CD ist zerkratzt oder beschädigt.	Die CD vorsichtig prüfen und ggf. eine andere CD verwenden.	—
Keine Tonwiedergabe	Die Verbindungskabel sind falsch angeschlossen.	Die Kabel richtig anschließen. Wenn die Störung damit nicht behoben wird, können die Kabel defekt sein.	14
	Bedienungsfehler des Verstärkers	Den Verstärker auf die richtige Eingangsquelle einstellen.	—
Der Ton „setzt aus“.	Dieses Gerät ist Vibrationen oder Stößen ausgesetzt.	Das Gerät an einem anderen Ort aufstellen.	—
	Die CD ist verschmutzt.	Die CD reinigen.	—
Der Ton „brummt“.	Die Verbindungskabel sind falsch angeschlossen.	Die Kabel richtig anschließen. Wenn die Störung damit nicht behoben wird, können die Kabel defekt sein.	14
Tunerstörgeräusche	Der Tuner befindet sich zu nahe an diesem Gerät.	Den Tuner weiter von diesem Gerät entfernt aufstellen.	—
Geräusche von der CD-Lade	Die CD ist verzogen.	Eine andere CD verwenden.	—
Keine Funktion der Fernbedienung	Die Batterien der Fernbedienung sind erschöpft.	Die Batterien durch neue ersetzen.	12
	Fernbedienung in zu großem Abstand oder nicht richtig gerichtet betätigt.	In einem Abstand bis zu 6 m und einem Winkel von 60° im rechten Winkel verwenden.	12
	Direktes Sonnenlicht oder die Beleuchtung (von einer Inverter-Leuchtstoffröhre usw.) fällt direkt auf den Fernbedienungssensor dieses Gerätes.	Stellen Sie das Gerät an einer anderen Stelle auf.	12

Hifi började med Yamaha

Yamahas engagemang i och passion för musik går tillbaka mer än ett sekel, till tiden när vi byggde vår första tramporgel 1887. Vi är nu världsledande i att bygga pianon och andra musikinstrument, och är engagerade i musik även på många andra sätt. Vi tillverkar professionell inspelningsutrustning, vi formger konsertsalar och vi hjälper artister vid konserter med rigging och soundcheck.

Dessa kunskaper och erfarenheter gagnar vår produktion av audiokomponenter på många sätt. Vi presenterade vår första Hifi (High Fidelity) skivspelare 1954. Därefter var vi en av de första att erbjuda massproducerad, högkvalitativ ljudutrustning, och introducerade många legendariska stereokomponenter.

Vi hoppas att du uppskattar den genuina Hifi-erfarenheten av Yamaha Natural Sound.



Framstående bedrifter inom audio

1920-
1960s

Första Hifi-systemet presenterades 1920

Vi presenterade ett flertal Hifi-komponenter (skivspelare, FM/AM-tuners, integrerade förstärkare, förförstärkare, effektförstärkare och högtalare) under åren 1955–1965.

Natural Sound Speaker Series presenterades 1967

NS-20 Monitorhögtalare



NS-20



CA-1000

1970s

CA-1000 Integrerad förstärkare

Med A-Class-operation som nyhet, blev CA-1000 en standard för integrerade förstärkare.

NS-690 Monitorhögtalare



NS-690



NS-1000M

NS-1000M Monitorhögtalare

En sant legendarisk högtalare som fortfarande beundras av Hifi-entusiaster.

B-1 Effektförstärkare

En nyskapande effektförstärkare som använde FET i samtliga steg.



B-1



C-2

C-2 Kontrollförstärkare

Tilldelades främsta priset vid Milan International Music & HiFi Show



PX-2



NS-10M

NS-10M Monitorhögtalare för studio

Blev en av de populäraste studiomonitorerna i världen.

A-1 Integrerad förstärkare

PX-2 Skivspelare

Yamahas första skivspelare med rak arm.



B-6



A-1



B-2x

1980s

B-6 Effektförstärkare

Pyramidformad effektförstärkare.

GT-2000/L Skivspelare

Första CD-spelaren (**CD-1**) presenterades 1983

B-2x Effektförstärkare

MX-10000 effektförstärkare och

CX-10000 kontrollförstärkare

Omdefinierade möjligheterna hos separata komponenter.

AX-1 Integrerad förstärkare



MX-10000



CX-10000

1990s

GT-CD1 CD-spelare

MX-1 effektförstärkare och

CX-1 förförstärkare



Soavo-1



Soavo-2

2000s

Soavo-1 och **Soavo-2** Natural Sound Speaker Systems

A-S2000 stereoförstärkare och

CD-S2000 Super Audio CD-spelare

CD-S2000

- ◆ *Balanserad signalöverföring i samtliga steg uppnår det högsta i CD-återgivning*
- ◆ *Balanserad signalöverföring i samtliga steg som börjar med DAC*
- ◆ *Tyst laddning och CD-enhet med hög precision*
- ◆ *Oberoende strömförsörjning med digitalt och analogt fullständigt separerat.*
- ◆ *Pure Direct*
- ◆ *Vänster-höger symmetrisk design med fast, stabil konstruktion*
- ◆ *Superljud från Super Audio CD*

■ Medföljande tillbehör

Var god kontrollera att följande saker finns med i förpackningen.

- Nätkabel
- Fjärrkontroll
- Batterier (AA, R6, UM-3) (×2)
- Ljudkabel med stiftkontakter
- Säkerhetsanvisningar

Innehåll

Reglage och funktioner	6
Anslutningar	14
Tekniska data	18
Spelbara skivformat.....	19
Felsökning	21

■ Angående denna bruksanvisning

- ☼ indikerar tips för användningen.
- Denna bruksanvisning är tryckt före tillverkningen av produkten. Utförande och tekniska data kan delvis ändras på grund av förbättringar etc. Om någon skillnad mellan bruksanvisningen och produkten skulle förekomma, så har produkten företräde.
- Färgen i bilderna i denna bruksanvisning kan skilja sig från originalet.
- Läs igenom säkerhetsbroschyren, innan förstärkaren tas i bruk.

CD-S2000

Reglage och funktioner

I detta avsnitt ges information om CD-S2000 förstärkarens reglage och funktioner.

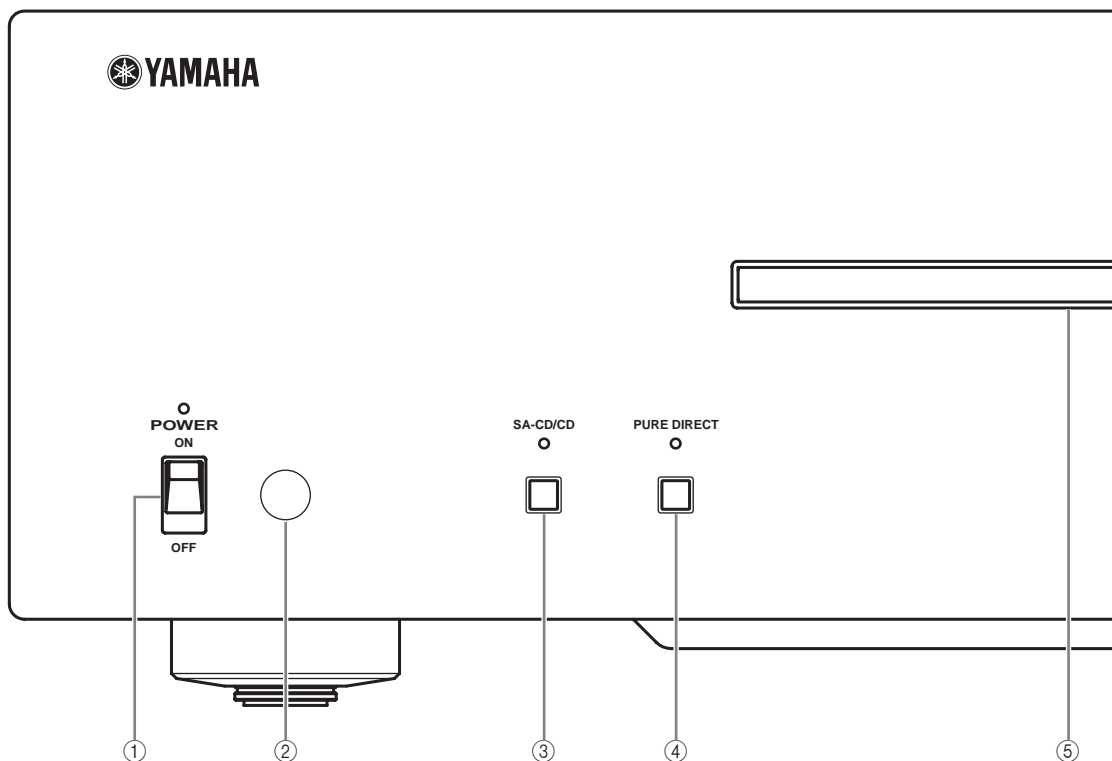
POWER
ON



OFF



■ Frontpanel



① POWER

Tryck uppåt eller neråt för att slå på eller av denna enhet.



Indikatorn POWER ovanför lyser medan denna enhet är påslagen.

② Fjärrkontrollsensor

Sensorn tar emot signaler från fjärrkontrollen.

③ SA-CD/CD

Växlar uppspelningslagret av en hybrid-SA-CD mellan SA-CD och CD.



- Indikeringen SA-CD/CD ovanför lyser medan SA-CD-lagret är valt.
- Denna inställning bibehålls även när denna enhet slås av.

④ PURE DIRECT

Slår på läget PURE DIRECT för att förbättra ljudkvaliteten.

När denna enhet står i läget PURE DIRECT:

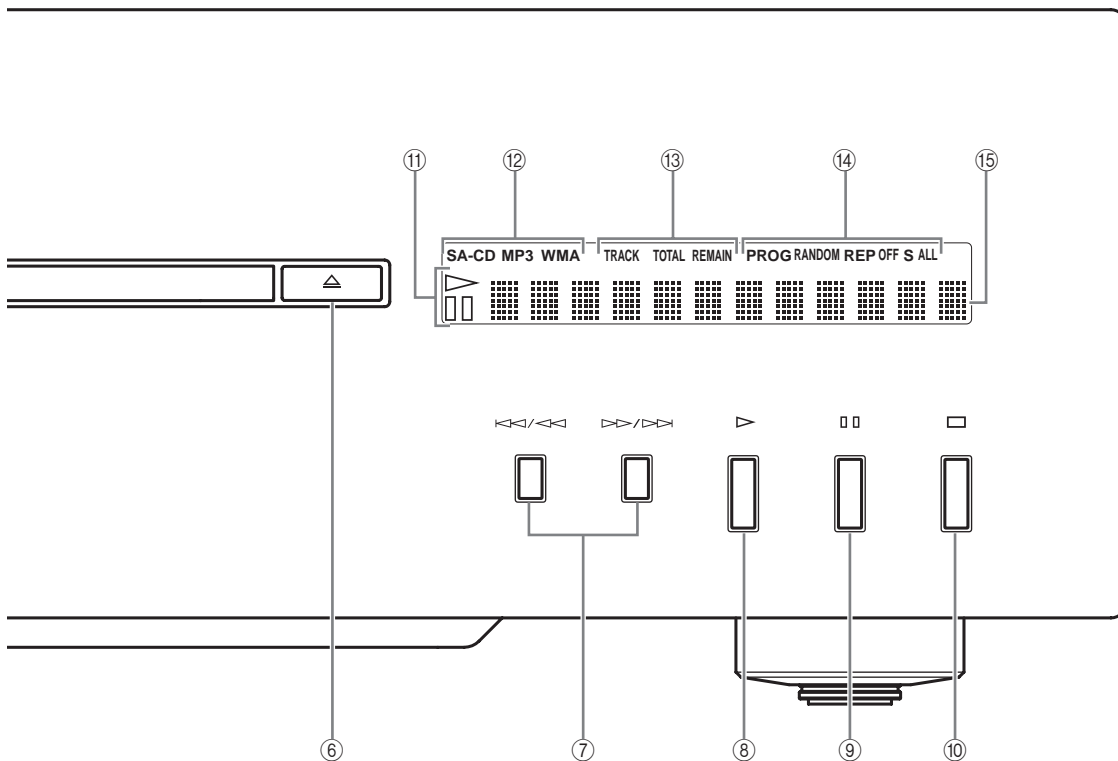
- Indikeringen PURE DIRECT ovanför lyser.
- Den digitala utmatningen är avstängd.
- Frontpanelens display är släckt.



- Några få indikeringar och meddelanden visas fortfarande på frontpanelens display.
- Tryck igen för att koppla ur läget PURE DIRECT.
- Denna inställning bibehålls även när denna enhet slås av.

⑤ Skivfack

Matar in en skiva.



⑥ ▲ (Öppna/stänga)

Öppnar eller stänger skivfacket.



Skivfacket kan också stängas genom att:

- trycka på ▷ (uppspelning) på frontpanelen eller på fjärrkontrollen, eller genom att trycka försiktigt på framkanten av skivfacket.
- trycka på en sifferknapp på fjärrkontrollen.

⑦ ◀◀/▶▶ (Hoppa/söka bakåt),
▶▶/▶▶ (Hoppa/söka framåt)

▶▶/▶▶ : Nästa spår väljs.

◀◀/◀◀ : Början på nuvarande spår väljs.

◀◀/◀◀ (två gånger): Föregående spår väljs.

Tryck in och håll ◀◀/◀◀ eller ▶▶/▶▶ intryckt för att söka bakåt/framåt.



Var gång som ◀◀/◀◀ eller ▶▶/▶▶ trycks in och hålls intryckt, ökar sökhastigheten i 4 nivåer.

⑧ ▷ (Uppspelning)

Startar uppspelning.

⑨ ◻◻ (Paus)

Pausar uppspelning. Tryck på ▷ eller ◻◻ för att återuppta uppspelningen.

⑩ ◻ (Stopp)

Stoppar uppspelning.

⑪ Statusindikering uppspelning

⑫ Indikering skivtyp

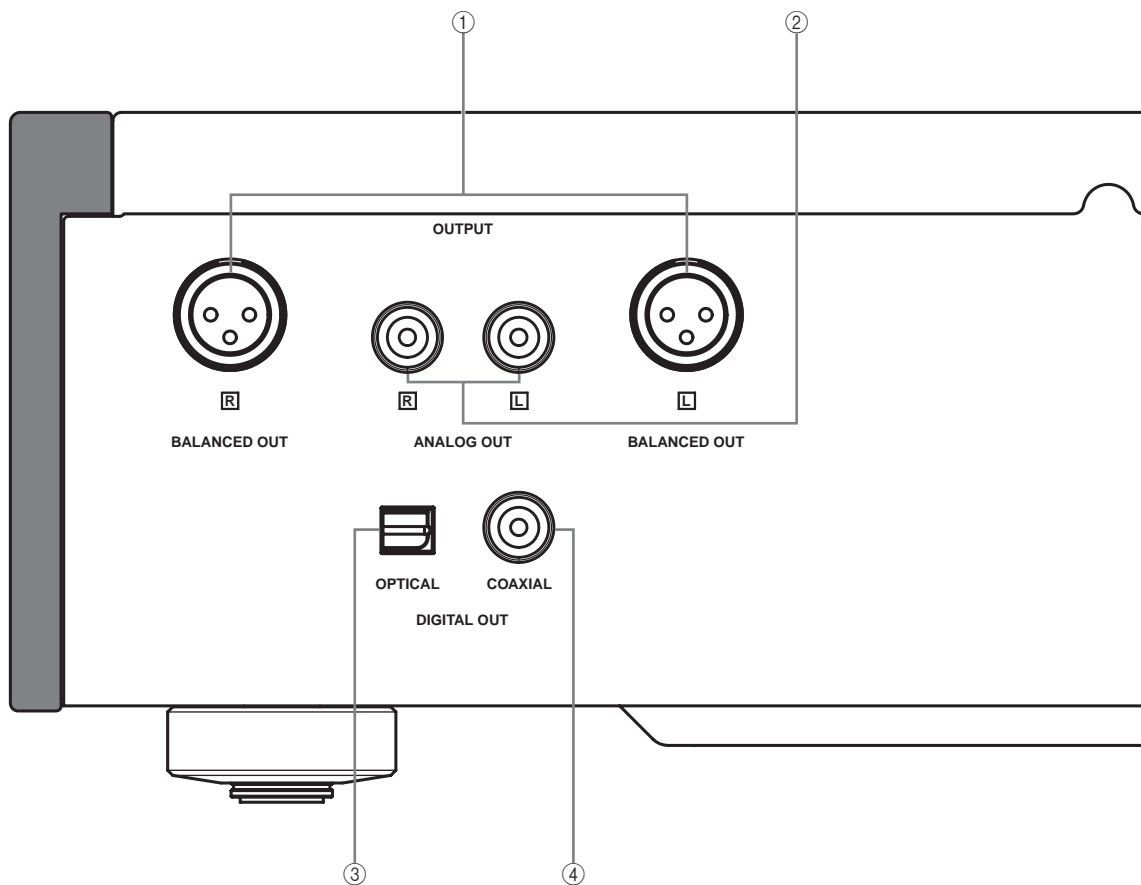
⑬ Indikering tidvisnings sätt

⑭ Indikering uppspelningssätt

⑮ Visningsfält för diverse information

Se sidorna 20 för närmare information om MP3/WMA uppspelning.

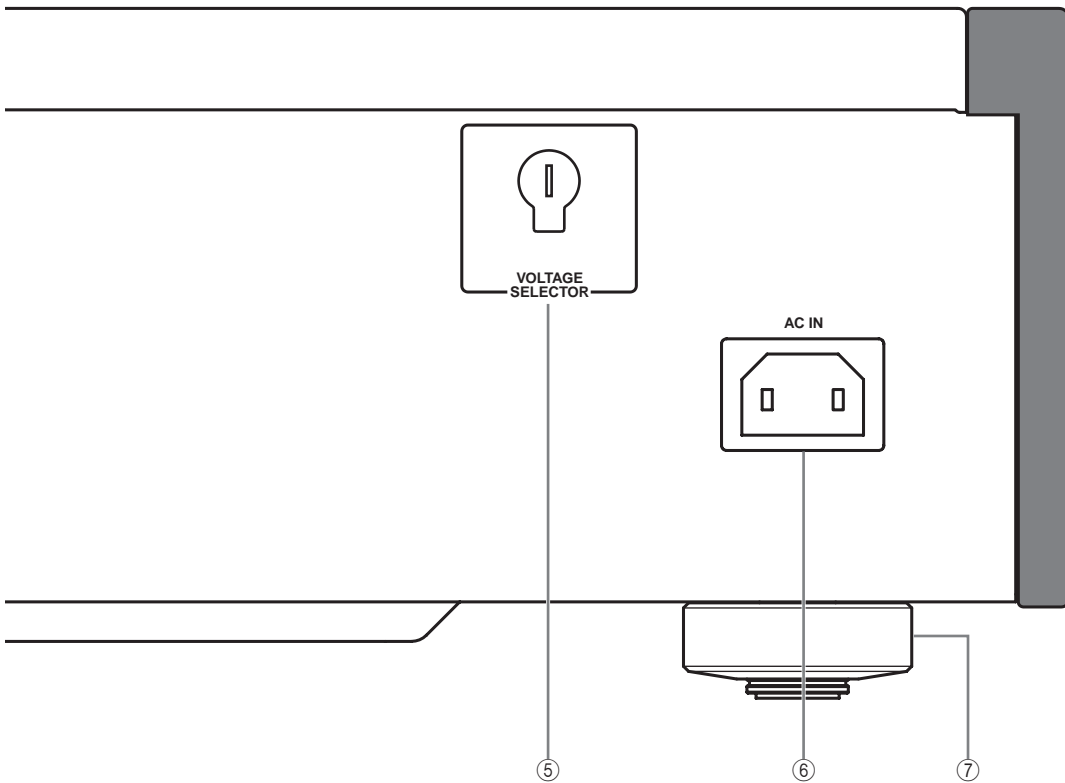
■ Bakpanelen



Se sidan 14 för information om anslutningar.

- ① **BALANCED OUT-jack**
- ② **ANALOG OUT-jack**
- ③ **OPTICAL DIGITAL OUT-jack**
- ④ **COAXIAL DIGITAL OUT-jack**

(Modell till Asien och General-modell)



⑤ **VOLTAGE SELECTOR**
(Gäller endast modell till Asien och General-modell)

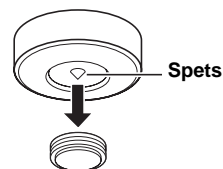
Nätspänningsväljaren VOLTAGE SELECTOR på denna enhets baksida måste ställas in i korrekt läge enligt lokal nätspänning INNAN nätkabeln ansluts till ett nätuttag. Se sidan 16 för närmare information.

⑥ **AC IN**

Den medföljande nätkabeln ansluts till detta nätuttag. Se sidan 16 för information om anslutningar.

⑦ **Fot**

Fötterna på denna enhet är försedda med spetsar. Om dessa spetsar används, kan det minska den inverkan som vibrationer har på anläggningen. När spetsarna ska användas, lossa då den magnetiska foten och ta bort den.



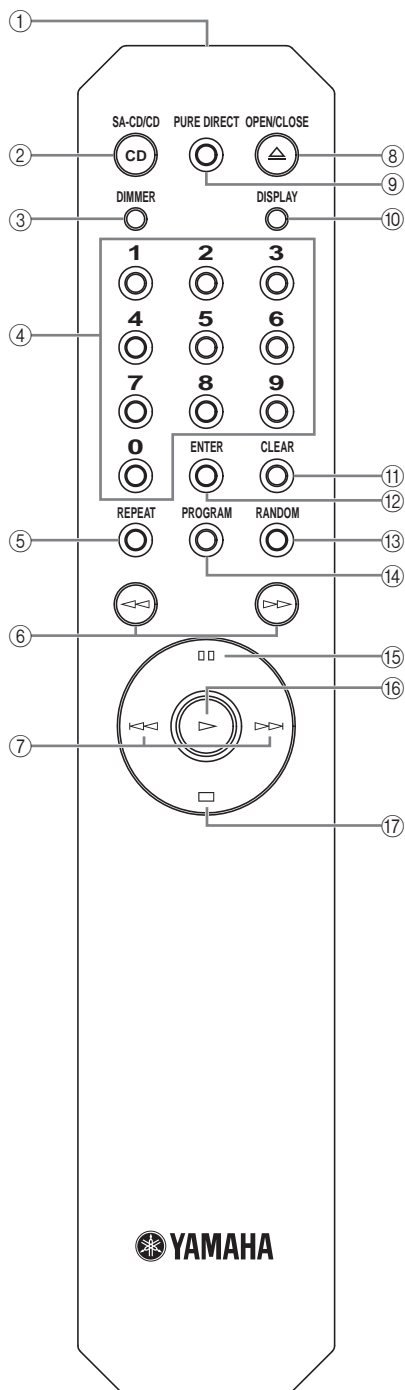
Observera

När de i fötterna inbyggda spetsarna används, kan det hända att spetsarna orsakar repor på hyllan eller golvet där denna enhet är uppställd. Använd stöden när denna enhet ställs på finare möbler etc.



Om denna enhet inte står plant, justera då höjden på foten genom att vrida den.

■ Fjärrkontroll



① Sändare för infraröda signaler

Sänder signaler till denna enhet.

② SA-CD/CD

Växlar uppspelningslagret av en hybrid-SA-CD mellan SA-CD och CD.



- Indikeringen SA-CD/CD på frontpanelen lyser medan SA-CD-lagret är valt.
- Denna inställning bibehålls även när denna enhet slås av.

③ DIMMER

Väljer nivå på ljusstyrkan för frontpanelens display. Med vart tryck på DIMMER, ändras nivån på ljusstyrkan i följande ordning:

Max (ljusast) → Nivå 1 (förval) → Nivå 2 → Nivå 3 (mörkast) → Max



Denna inställning bibehålls även när denna enhet slås av.

④ Sifferknappar

Används för att välja ett spår direkt.

Anmärkning

Denna manövrering fungerar inte för MP3- eller WMA-skivor.

⑤ REPEAT

Repeterar uppspelning av ett enskilt spår eller samtliga spår. Med vart tryck på REPEAT under pågående uppspelning ändras repeteringssättet enligt följande:

- REP S (repetering av ett spår): När slutet av aktuellt spår nås, upprepas uppspelningen från början av aktuellt spår.
- REP ALL (repetering av samtliga spår): När slutet av det sista spåret nås, upprepas uppspelningen från början av det första spåret.

Anmärkning

Denna manövrering fungerar inte för MP3- eller WMA-skivor.

⑥ << (Söka bakåt), >> (Söka framåt)

Söker bakåt/framåt i spår.



Varje gång << eller >> trycks in ökar hastigheten för snabbsökning i 4 nivåer.

⑦ <<< (Hoppa bakåt), >>> (Hoppa framåt)

>>> : Nästa spår väljs.

<<< : Början på nuvarande spår väljs.

<<<< (två gånger): Föregående spår väljs.

⑧ OPEN/CLOSE

Öppnar eller stänger skivfacket.

⑨ PURE DIRECT

Slår på läget PURE DIRECT för att förbättra ljudkvaliteten.

När denna enhet står i läget PURE DIRECT:

- Indikeringen PURE DIRECT ovanför lyser.
- Den digitala utmatningen är avstängd.
- Frontpanelens display är släckt.



- Några få indikeringar och meddelanden visas fortfarande på frontpanelens display.
- Denna inställning bibehålls även när denna enhet slås av.

⑩ DISPLAY

Ändrar tidvisningen. Med vart tryck på DISPLAY under uppspelning, ändras tidvisningen enligt följande:

- Förfluten tid av nuvarande spår (grundinställning). Indikeringen TRACK visas på frontpanelens display.
- Återstående tid av nuvarande spår. Indikeringarna TRACK och REMAIN visas på frontpanelens display.
- Total återstående tid av skivan. Indikeringarna TOTAL och REMAIN visas på frontpanelens display.

⑪ CLEAR

Det senast programmerade spåret raderas, när läget för programredigering är inkopplat. Vi hänvisar till "Programmerad uppspelning" på denna sida.



I stoppläge kan alla programmerade spår raderas på en gång.

⑫ ENTER

Bekräftar ett inmatat spårnummer vid programmering av spår.

⑬ RANDOM

Kopplar in eller ur läget för slumpvis uppspelning.

Anmärkningar

- Denna manövrering fungerar inte för MP3- eller WMA-skivor.
- Läget för slumpvis uppspelning avbryts när uppspelningen stoppas eller skivan matas ut.

⑭ PROGRAM

Kopplar in eller ur läget för programmerad uppspelning. Se "Programmerad uppspelning" på denna sida.

⑮ □□ (Paus)

Pausar uppspelning. Tryck på ▷ eller □□ för att återuppta uppspelningen.

⑯ ▷ (Uppspelning)

Startar uppspelning.

⑰ □ (Stopp)

Stoppar uppspelning.

Se sidorna 20 för närmare information om MP3/WMA uppspelning.

■ Programmerad uppspelning

I läget för programmerad uppspelning, kan spår spelas upp i en programmerad följd.

Anmärkningar

- Denna manövrering fungerar inte för MP3- eller WMA-skivor.
- De programmerade spåren raderas när skivan matas ut eller denna enhet stängs av.

1 Tryck PROGRAM när uppspelning stannas.

Denna enhet är inställd på programredigeringsläget.

2 Välj ett spår genom att använda sifferknapparna och ENTER.

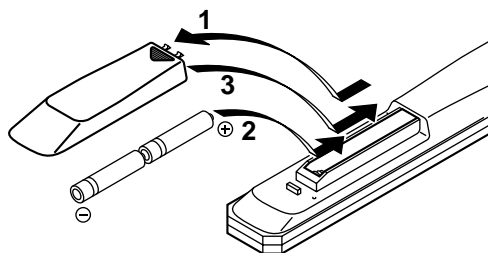
3 Upprepa steg 2 för att programmera nästa spår.

Det går att programmera 24 spår som mest.

4 Tryck på ▷.

Uppspelning startar från början av den programmerade ordningen.

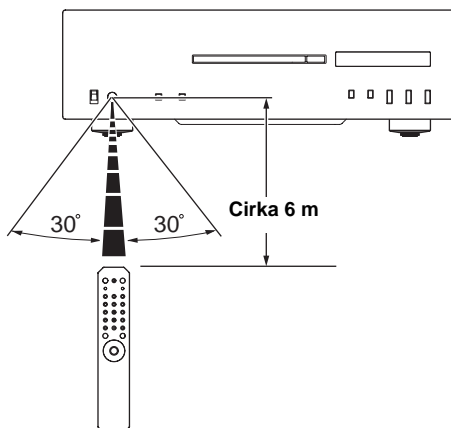
■ Isättning av batterier i fjärrkontrollen



- 1 Tryck på delen ▼ och skjut upp batterifacketets lock.
- 2 Sätt i de två medföljande batterierna (AA, R6, UM-3) i enlighet med polmarkeringarna (+ och -) inuti batterifacket.
- 3 Skjut tillbaka locket tills det klickar på plats.

■ Användning av fjärrkontrollen

Fjärrkontrollen sänder en riktad infraröd stråle. Se till att rikta fjärrkontrollen direkt mot fjärrkontrollsensorn på denna enhets framsida, när fjärrkontrollen används för manövrering.





CD-S2000 Anslutningar

I detta avsnitt ges anvisningar för anslutningar mellan CD-S2000 och förstärkaren.

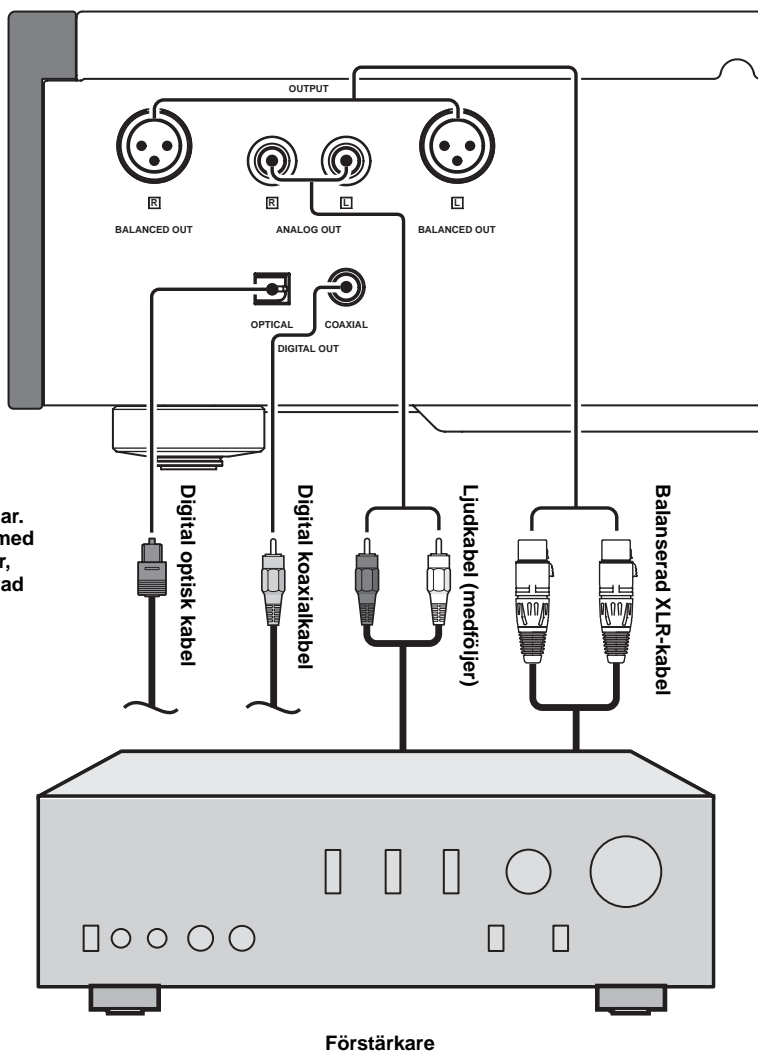
OUT

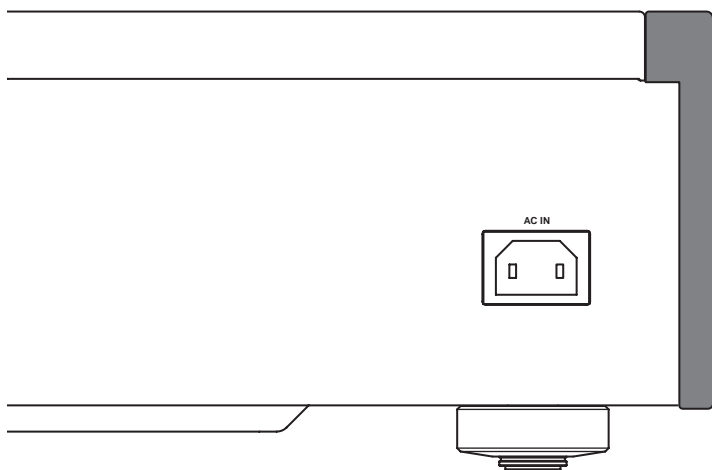
COAXIAL OUT

BALANCED OUT

COAXIAL

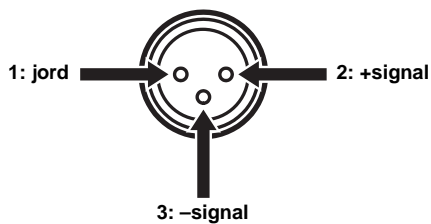
Välj en av dessa anslutningar.
Om förstärkaren är försedd med
balanserade XLR-ingångar,
rekommenderar vi balanserad
anslutning för bästa ljud.



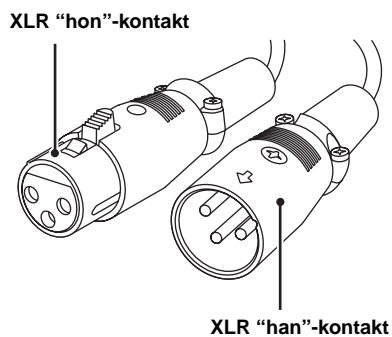


■ Anslutning till BALANCED OUT-uttagen

Anslut förstärkaren till de balanserade XLR-utgångarna. Stiftens position för dessa uttag visas nedan. Läs i bruksanvisningen som medföljde förstärkaren och bekräfta att dess balanserade XLR-ingångar är kompatibla med stiftens position.



Vid anslutning se till att matcha stiften och sätt i "hon"-kontakten på den balanserade XLR-kabeln. Koppla loss den balanserade XLR-kabeln genom att trycka in låsknappen på "hon"-kontakten och dra ut kontakten.



■ VOLTAGE SELECTOR (Gäller endast modell till Asien och General-modell)

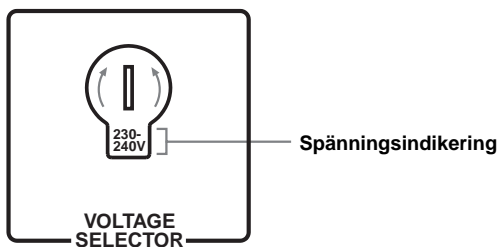
Observera

Nätspänningsväljaren VOLTAGE SELECTOR på denna enhets baksida måste ställas in på den lokala nätspänningen INNAN nätkabeln ansluts till ett nätuttag. Felaktig inställning av nätspänningsväljaren VOLTAGE SELECTOR kan medföra skada på denna enhet och orsaka brandfara.

Använd en platt skruvmejsel till att vrida nätspänningsväljaren VOLTAGE SELECTOR med- eller moturs till korrekt läge.

Följande spänningar gäller:

..... 110/120/220/230–240 V nätspänning, 50/60 Hz



■ Anslutning av nätkabeln

Anslut nätkabeln till nätintaget AC IN när samtliga anslutningar har slutförts, och anslut sedan nätkabeln till ett lämpligt nätuttag.



CD-S2000 **Tekniska data**

I detta avsnitt finns tekniska data för CD-S2000.

AUDIODEL

- Frekvensåtergivning
 - SA-CD 2 Hz till 50 kHz (-3 dB)
 - CD 2 Hz till 20 kHz
- Övertonsdistorsion
 - SA-CD 0,0017% eller mindre
 - CD 0,002% eller mindre
- Signalbrusförhållande (IHF-A nätverk) 116 dB eller mer
- Dynamikområde
 - SA-CD 110 dB eller mer
 - CD 100 dB eller mer
- Utnivå (1 kHz, 0 dB) $2,0 \pm 0,3$ V

EGENSKAPER LASERDIOD

- Typ
 - SA-CD Halvledarlaser (AlGaInP)
 - CD Halvledarlaser (AlGaAs)
- Våglängd
 - SA-CD 650 nm
 - CD 780 nm
- Uteffekt
 - SA-CD 5 mW (max)
 - CD 7 mW (max)

ALLMÄNT

- Strömförsörjning
 - [Modeller till U.S.A. och Kanada] 120 V nätpänning, 60 Hz
 - [Modell till Asien och General-modell] 110/120/220/230-240 V nätpänning, 50/60 Hz
 - [Modell till Kina] 220 V nätpänning, 50 Hz
 - [Modell till Korea] 220 V nätpänning, 60 Hz
 - [Modell till Australien] 240 V nätpänning, 50 Hz
 - [Modeller till Europa, inkl. Storbritannien] 230 V nätpänning, 50 Hz
 - Effektförbrukning 30 W
 - Effektförbrukning avstängd 0 W
 - Ytermått (b x h x d) 435 x 137 x 440 mm
 - Vikt 15 kg
- * Rätt till ändringar av tekniska data utan föregående meddelande förbehålls.

Skötsel av denna enhet

Använd inga kemiska lösningsmedel (exv. sprit eller thinner etc.) när denna enhet torkas av; detta kan skada ytbehandlingen. Använd en ren, torr torktrasa. För svåra fläckar, fukta en mjuk trasa i diskmedel utspätt med vatten, vrid ur trasan, och torka därefter denna enhet med trasan.

Utvidgning och sammandragning av trä kan göra att skruvarna på sidorna lossnar. Dra i så fall åt skruvarna.

■ Skivtyper som stöds

Denna enhet är utformad att spela upp kompaktskivor försedda med de märken som visas nedan. Försök aldrig att sätta i någon annan typ av skiva i denna enhet. Denna enhet kan också spela upp 8 cm kompaktskivor.

Super Audio CD

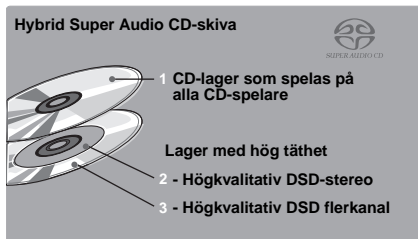
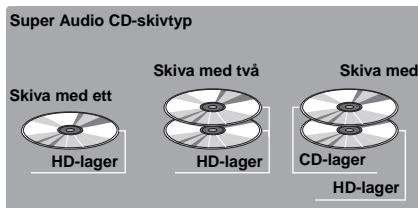


SUPER AUDIO CD

Audioformat baserat på den nuvarande CD-standarden med som inkluderar en större mängd information vilket ger ett ljud av högre kvalitet. Det finns tre typer av skivor: ett lager, två lager och hybridskiva. En hybridskiva kan spelas på vanliga CD-spelare men också på Super Audio CD-spelare eftersom den innehåller information för både standard ljud-CD och Super Audio CD.

Anmärkning

Denna enhet visar inte textdata på frontpanelens display.



Kompaktskivor (digitalt ljud)



De mest populära skivorna för ljud-CD som säljs i handeln.

CD-R, CD-RW digitala ljudskivor



Musik-CD som skapas genom kopiering till en CD-R eller CD-RW (däribland filer i MP3- eller WMA-format).

Anmärkning

- Se till att använda en CD-R eller CD-RW skiva från en tillförlitlig tillverkare.
- Se till att använda en CD-R eller CD-RW skiva där åtminstone något av följande står skrivet på skivan eller cd-asken.
 - FOR CONSUMER
 - FOR CONSUMER USE
 - FOR MUSIC USE ONLY
- Se till att använda en slutbehandlad CD-R eller CD-RW skiva.

CD-TEXT skivor



Skivor inspelade med textdata som till exempel albumtitlar, låttitlar och artistnamn. Dessa skivor kan spelas upp på vanliga CD-spelare.

Anmärkning

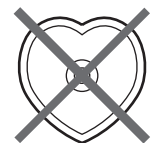
Denna enhet visar inte textdata på frontpanelens display.

ANMÄRKNING:

Det kan hända att denna enhet inte kan spela upp vissa CD-RW skivor eller skivor som har en felaktigt gjord inspelning.

För att undvika problem med denna enhet:

- Använd inga skivor med en form som inte är standard (hjärtformad etc.) tillgängliga på marknaden. Det kan skada denna enhet.
- Använd inte en skiva på vilken det finns tejp, märken eller klister. En sådan skiva kan fastna i denna enhet eller orsaka skada på denna enhet.



■ Angående MP3- och WMA skivor

Det går att spela upp MP3- och WMA-filer inspelade på en CD-R eller CD-RW med liknande användning som en musik-CD.

MP3

MP3 (MPEG-1 Audio Layer-3) är en standardteknik och ett standardformat för komprimering av ljudsekvenser till små filer. Den ursprungliga nivån på ljudkvaliteten bibehålls dock under uppspelning.

Anmärkningar

- Denna enhet spelar upp MP3-filer i alfanumerisk ordning.
- 648 mappar och filer (kombinerat) och 299 mappar som mest kan identifieras; men det kan hända att vissa mappar och filer inte kan identifieras beroende på katalogstrukturen.
- Beroende på inspelningsförhållanden såsom inställningar av programvaran för inspelning, kan det hända denna enhet inte kan spela upp skivan eller filerna i den ordning de har spelats in.
- Denna enhet är kompatibel med en samplingsfrekvens på 44,1 kHz.
- Denna enhet är kompatibel med en bithastighet på 32, 40, 48, 56, 64, 80, 96, 112, 128, 160, 192, 224, 256 eller 320 kbps. Variable bithastighet stöds inte.
- Skivan måste vara ISO9660 kompatibel.
- Textdata som finns i filerna visas inte på denna enhet.

WMA

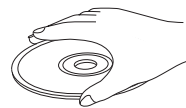
WMA (Windows Media Audio) är ett Microsoft filformat för att koda digitala ljudfiler på liknande sätt som MP3 men WMA kan komprimera filer med en högre bithastighet än MP3.

Anmärkningar

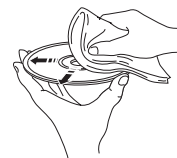
- Denna enhet spelar upp WMA-filer i alfanumerisk ordning.
- 648 mappar och filer (kombinerat) och 299 mappar som mest kan identifieras; men det kan hända att vissa mappar och filer inte kan identifieras beroende på katalogstrukturen.
- Denna enhet är kompatibel med en samplingsfrekvens på 44,1 kHz.
- Denna enhet är kompatibel med en bithastighet på 48, 64, 80, 96, 128, 160 eller 192 kbps. Variable bithastighet stöds inte.
- Skivan måste vara ISO9660 kompatibel.
- Kopieringsskyddade WMA-filer kan inte spelas upp på denna enhet.
- Textdata som finns i filerna visas inte på denna enhet.

■ Hantering av kompaktskivor

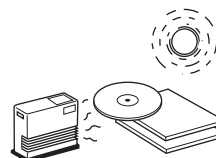
- Hantera alltid en skiva försiktigt så att dess yta inte repas.



- Kompaktskivor slits sällan ut genom uppspelning, men om skivans yta skadas vid hantering kan det påverka uppspelningen negativt.
- Använd en tuschpenna för cd eller likande skrivdon när något ska skrivas på skivans etikettsida. Använd inte en kulspetspenna, blyertspenna eller andra skrivdon med hård spets eftersom dessa kan skada skivan och påverka uppspelningen negativt.
- Se till att skivan inte blir skev.
- När en skiva inte används för tillfället, ska den tas ut från denna enhet och förvaras i cd-asken.
- Var försiktig så att inte spelytan repas när skivan tas ut eller läggs tillbaka.
- Kompaktskivor påverkas inte av små dammpartiklar eller fingeravtryck på skivans spelyta, men trots detta ska de hållas rena. Torka skivan yta med en ren, torr trasa. Torka inte skivans yta med cirkelrörelser; torka den med en rak rörelse utåt från mittpunkten.



- Försök inte att göra ren skivans yta med någon som helst typ av skivrengörare, skivspray, antistatisk spray eller vätska, eller någon annan kemikaliebaserad vätska eftersom sådana ämnen kan ge irreparabla skador på skivans yta.
- Utsätt inte skivor för direkt solljus, hög temperatur, eller hög fuktighet under en lång tidsperiod eftersom sådana förhållanden kan göra skivan skev eller skada den på annat sätt.



- När en 8 cm kompaktskiva ska spelas, lägg den på den inre insänkta delen av skivfacket. Lägg inte en normal 12 cm CD ovanpå en 8 cm CD.

Gå igenom tabellen nedan, om denna enhet inte fungerar som den ska. Om aktuellt problem inte finns upptaget i tabellen nedan, eller om det inte kan lösas med hjälp av anvisningarna i felsökningstabellen, slå av denna enhet, koppla loss nätkabeln och kontakta närmaste auktoriserade Yamaha-handlare eller servicecenter.

Problem	Orsak	Åtgärd	Se sidan
Denna enhet slås inte på när POWER trycks upp.	Nätsladden är inte ansluten eller dåligt ansluten.	Anslut nätsladden ordentligt.	16
CD-facket stängs inte helt.	Ett främmande föremål hindrar skivfacket.	Kontrollera skivfacket noggrant och ta bort det främmande föremålet.	—
Ingen avspelning börjar.	CD-skivan är skadad.	Kontrollera CD-skivan noggrant och byt ut den om nödvändigt.	—
	Fukt på laserpickupen.	Vänta 20 till 30 minuter efter strömmen har slagits på och försök sedan att avspela en skiva.	—
	CD-skivan har lagts i med fel sida upp.	Ta ut skivan och lägg i den med etiketten vänd uppåt.	—
	CD-skivan är smutsig.	Rengör CD-skivan.	—
	Formaten MP3 och WMA är inte kompatibla med denna enhet.	Byt ut skivan mot en rätt inspelade skiva som kan spelas på denna enhet.	20
	Een återinspelningsbara skivan (CD-RW) har inte spelats in på rätt sätt.	Byt ut skivan mot en rätt inspelade skiva som kan spelas på denna enhet.	—
	Byt ut skivan mot en som kan spelas på denna enhet.	Byt ut skivan mot en rätt inspelade skiva som kan spelas på denna enhet.	—
Avspelningen är sen eller börjar på fel plats.	CD-skivan är repad eller skadad.	Kontrollera CD-skivan noggrant och byt ut den om nödvändigt.	—
Inget ljud hörs.	Felaktig anslutning av utgående kablar.	Anslut kablarna på rätt sätt. Om problemet fortsätter kan det hända att det finns defekter på kablarna.	14
	Förstärkaren är felaktigt inställd.	Ställ in förstärkarens kontroller på rätt ingångsval.	—
Ljudet "hoppar".	Denna enhet är utsatt för vibrationer eller stötar.	Omplacera denna enhet.	—
	CD-skivan är smutsig.	Rengör CD-skivan.	—
Ljudet "brummar".	Felaktiga kabelanslutningar.	Anslut ljud-kablarna ordentligt. Om problemet fortsätter kan det hända att det finns defekter på kablarna.	14
Störningar från en närstående tuner.	Tunern står för nära denna enhet.	Flytta tunern och denna enhet längre bort från varandra.	—
Buller i skivfacket.	CD-skivan är skev.	Byt ut CD-skivan.	—
Fjärrkontrollen fungerar inte.	Batterierna för fjärrkontrollen är för svaga.	Byt ut batterierna med nya.	12
	Fjärrkontrollen hålls på för långt avstånd eller i fel vinkel.	Använd på högst 6 m avstånd och inom 60° vinkel.	12
	Direkt soljus eller ljus (inverterat lysrörsljus el.dyl.) skiner på sensorn för fjärrkontrollen på denna enhet.	Ställ denna enhet på ett annat ställe.	12

L'alta fedeltà è nata con Yamaha

Yamaha è appassionata di musica ed attiva nel settore da oltre un secolo, da quando abbiamo costruito il nostro primo organo a canne nel 1887. Ora siamo non solo il primo costruttore di pianoforti ed altri strumenti musicali, ma siamo attivi in altri campi della musica. Fabbrichiamo attrezzature professionali di registrazione, progettiamo sale da concerto e assistiamo artisti in concerto, mettendo a punto attrezzature e strumenti.

Queste conoscenze ed esperienze tornano a beneficio della nostra produzione di componenti audio in vario modo. Abbiamo messo in vendita il nostro primo giradischi HiFi (impianto ad alta fedeltà) nel 1954. Da allora siamo sempre fra i primi ad offrire componenti audio di alta qualità prodotti in massa, ed abbiamo costruito vari componenti stereo ora leggendari.

Speriamo ora di offrirvi una genuina esperienza HiFi con Yamaha Natural Sound.



Eccellenza nella qualità audio

1920-
1960s

Primo sistema HiFi System introdotto nel 1920

Abbiamo presentato numerosi componenti HiFi (giradischi, sintonizzatori FM/AM, amplificatori integrati, preamplificatori, amplificatori di potenza e diffusori) nel 1955 - 1965.



NS-20



CA-1000

La Natural Sound Speaker Series, introdotta nel 1967

Diffusore monitor NS-20



NS-690



NS-1000M

1970s

Amplificatore integrato CA-1000

Possedendo caratteristiche di Classe A, il CA-1000 stabilì uno standard per gli amplificatori integrati.

Diffusore monitor NS-690

Diffusore monitor NS-1000M
Un diffusore veramente leggendario ancora riverito dagli entusiasti di HiFi.



B-1



C-2

Amplificatore di potenza B-1

Un amplificatore di potenza innovativo che usate FET in tutti i suoi stadi.

Amplificatore di controllo C-2

Ha ricevuto il primo premio presso lo Show Internazionale di Musica e HiFi di Milano



PX-2



NS-10M

Diffusore monitor da studio NS-10M

Divenne uno dei monitor da studio più venduti nel mondo.

Amplificatore integrato A-1

Giradischi PX-2

Il primo giradischi Yamaha a braccio diritto.



B-6



A-1

1980s

Amplificatore di potenza B-6

Amplificatore di potenza a forma di piramide.

Giradischi GT-2000/L

Primo lettore CD (CD-1) introdotto nel 1983

Amplificatore di potenza B-2x

**Amplificatore di potenza MX-10000 e
amplificatore di controllo CX-10000**

Ridefinirono le possibilità di componenti separati.

Amplificatore integrato AX-1



MX-10000



B-2x



CX-10000

1990s

Lettore CD GT-CD1

**Amplificatore di potenza MX-1 e
preamplificatore CX-1**



Soavo-1



Soavo-2

2000s

**Diffusori a suono naturale
Soavo-1 e Soavo-2**

**Amplificatore stereo A-S2000 e
Lettore CD Super Audio CD-S2000**

CD-S2000

- ◆ *La trasmissione bilanciata full-stage raggiunge la massima qualità di riproduzione di CD*
- ◆ *Trasmissione bilanciata full-stage del segnale a partire dal DAC*
- ◆ *Caricamento silenzioso e trazione del CD di alta precisione*
- ◆ *Alimentazioni indipendenti con segnali digitale ed analogico del tutto separati*
- ◆ *Caratteristica Pure Direct*
- ◆ *Design simmetrico sinistra/Destra con struttura rigida e stabile*
- ◆ *Suono super da CD Super Audio*

■ Accessori in dotazione

Controllare che la confezione ricevuta contenga tutte le parti che seguono.

- Cavo di alimentazione a corrente alternata.
- Telecomando
- Batterie (AA, R6, UM-3) (×2)
- Cavo audio a spinotti
- Volantino sulla sicurezza

Indice

Comandi e loro funzione.....	6
Collegamenti	14
Dati tecnici	18
Formato dei dischi riproducibili	19
Diagnostica.....	21

■ A proposito di questo manuale

- ✨ indica un suggerimento riguardante un'operazione.
- Questo manuale è stato stampato prima della produzione dell'apparecchio. Il design e i dati tecnici sono soggetti a modifiche senza preavviso, in parte a causa di migliorie. Il prodotto ed il manuale potrebbero quindi essere leggermente differenti.
- Il colore delle immagini in questo manuale può differire dall'originale.
- Prima di fare uso di quest'unità, leggere sempre la volantino sulla sicurezza.

CD-S2000

Comandi e loro funzione

In questo capitolo si presentano i vari comandi dell'CD-S2000 e la loro funzione.

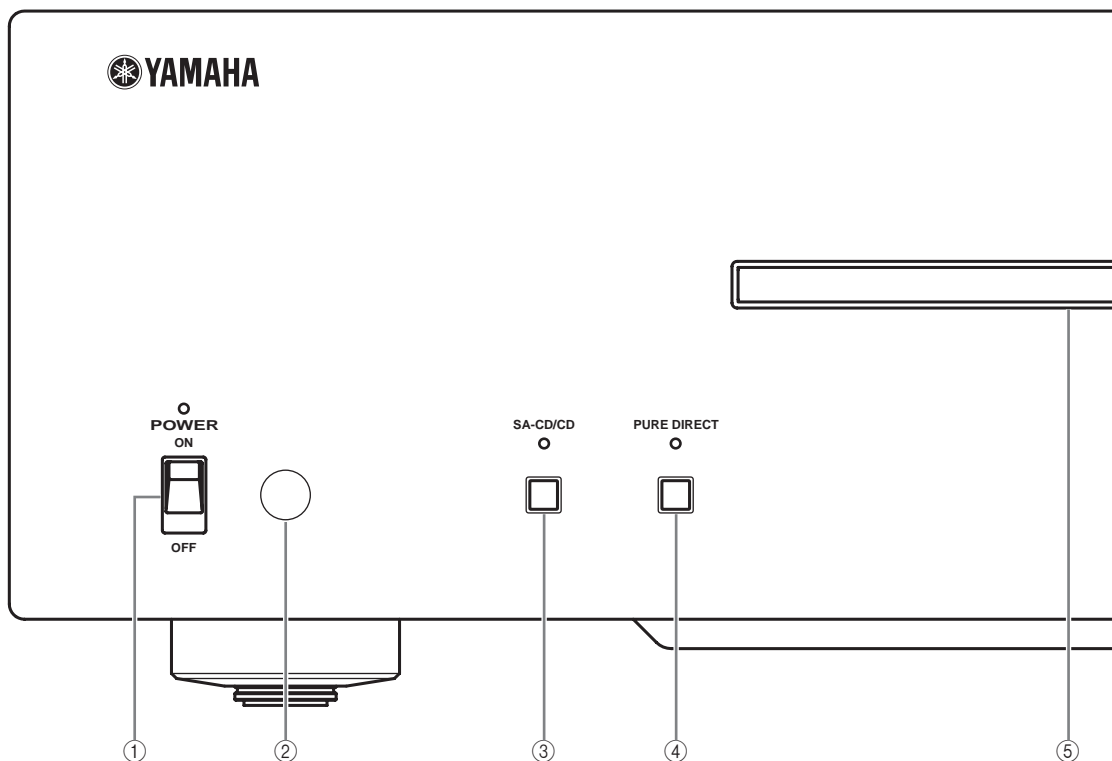
POWER
ON



OFF



■ Pannello anteriore



① POWER

Premerlo in alto o in basso per accendere o spegnere quest'unità.



L'indicatore POWER qui sopra si accende quando quest'unità viene accesa.

② Sensore del telecomando

Riceve i segnali del telecomando.

③ SA-CD/CD

Prima della riproduzione di un SA-CD ibrido, permette di scegliere la modalità SA-CD o CD.



- L'indicatore SA-CD/CD qui sopra si accende quando si è scelto lo strato SA-CD.
- Questa impostazione viene mantenuta anche se quest'unità viene spenta.

④ PURE DIRECT

Attiva la modalità PURE DIRECT per aumentare la qualità dell'audio.

Quando quest'unità si trova in modalità PURE DIRECT:

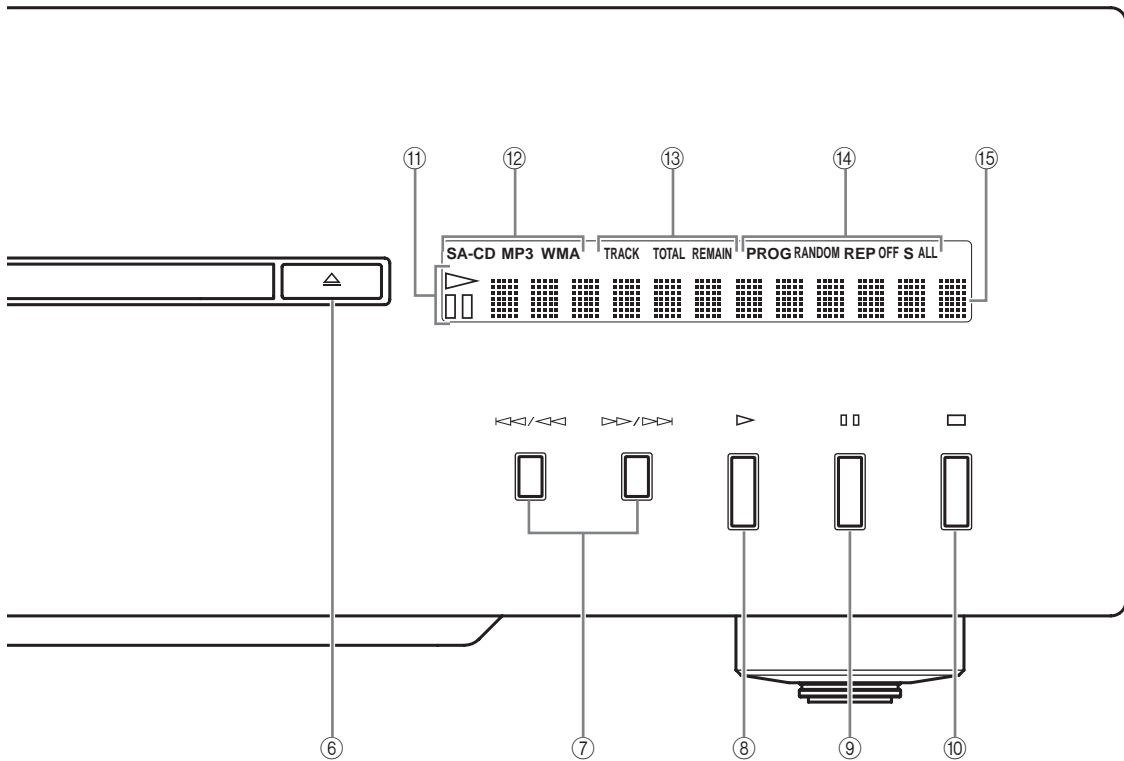
- L'indicatore PURE DIRECT sovrastante si illumina.
- L'uscita digitale viene disattivata.
- Il display del pannello anteriore viene spento.



- Il display del pannello anteriore impiega un numero minimo di indicatori e messaggi.
- Premere PURE DIRECT di nuovo per disattivare questa modalità.
- Questa impostazione viene mantenuta anche se quest'unità viene spenta.

⑤ Piatto portadisco

Fa caricare un disco.



⑥ ▲ (apertura/chiusura)

Fa aprire e chiudere il piatto portadisco.



Potete fare aprire il piatto portadisco anche:

- premendo ▷ (riproduzione) del pannello anteriore o del telecomando, oppure premendo leggermente il bordo anteriore del piatto portadisco.
- premendo un pulsante numerico del telecomando.

⑦ ◀◀/▶▶ (salto/ricerca all'indietro),

▶▶/▶▶ (salto/ricerca in avanti)

▶▶/▶▶ : Permette di saltare al brano successivo.
 ◀◀/▶▶ : Permette di tornare all'inizio del brano attuale.
 ◀◀/▶▶ (due volte): Permette di tornare al brano precedente.
 Mantenere premuto ◀◀/▶▶ o ▶▶/▶▶ per ricercare in avanti/all'indietro.



Ogni volta che ◀◀/▶▶ o ▶▶/▶▶ viene mantenuto premuto, la velocità di ricerca aumenta di 4 livelli.

⑧ ▷ (Riproduzione)

Inizia la riproduzione.

⑨ ◻◻ (Pausa)

Porta la riproduzione in pausa. Premere ▷ or ◻◻ per far riprendere la riproduzione.

⑩ ◻ (Arresto)

Fa cessare la riproduzione.

⑪ Indicatore dello stato della riproduzione

⑫ Indicatore del tipo di disco

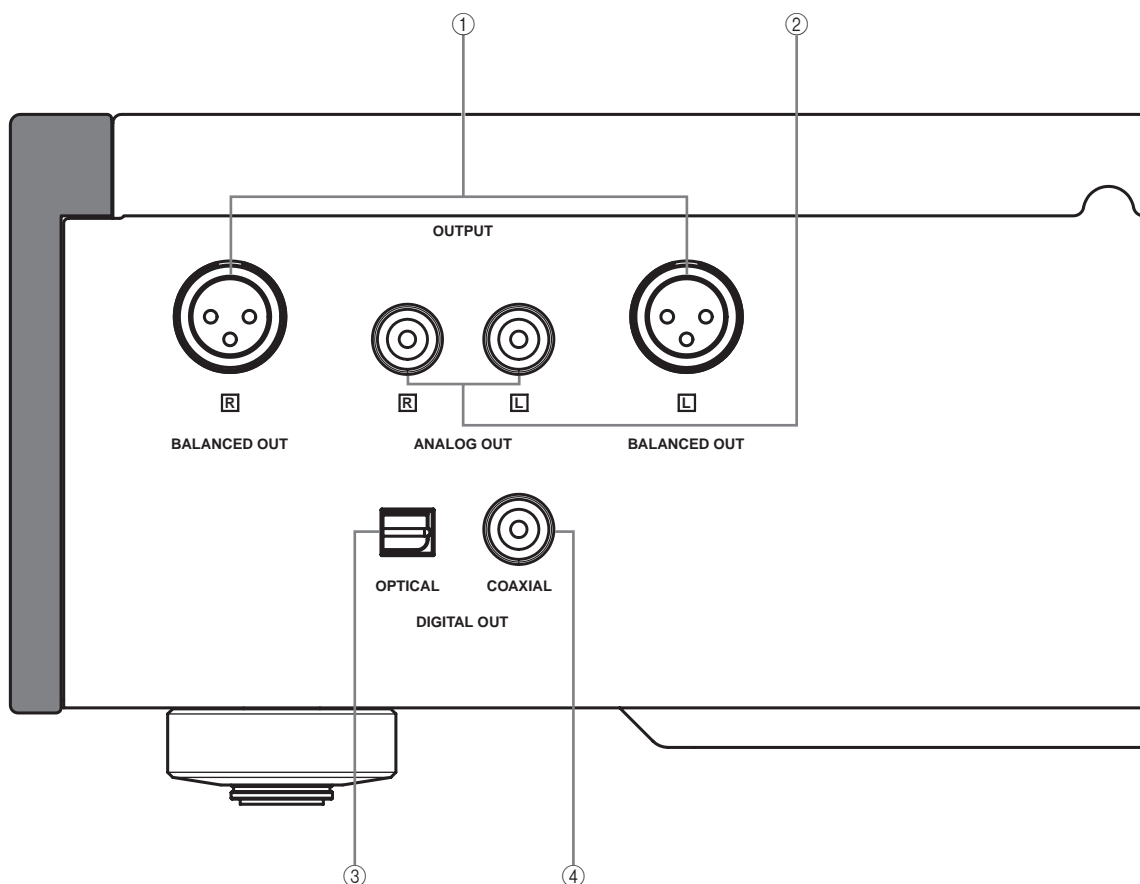
⑬ Indicatore della modalità di indicazione del tempo

⑭ Indicatore della modalità di riproduzione

⑮ Display delle informazioni

Vedi le pagine 20 per maggiori informazioni sulla riproduzione di file MP3/WMA.

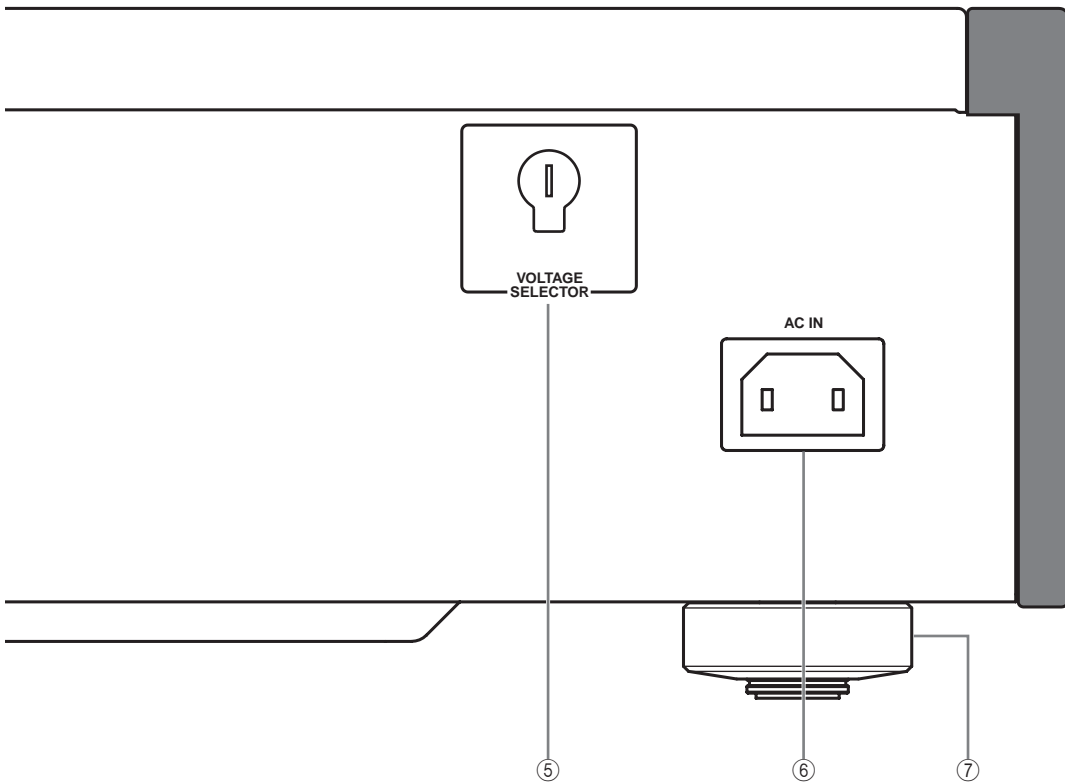
■ Pannello posteriore



Vedi pagina 14 per informazioni sui collegamenti.

- ① Prese **BALANCED OUT**
- ② Prese **ANALOG OUT**
- ③ Presa **OPTICAL DIGITAL OUT**
- ④ Presa **COAXIAL DIGITAL OUT**

(Modelli per l'Asia e Generale)



⑤ **VOLTAGE SELECTOR**
(Solo modelli per l'Asia e Generale)

Il selettore VOLTAGE SELECTOR del pannello posteriore di quest'unità deve essere impostato sulla tensione di rete della propria zona di residenza PRIMA di collegare il cavo di alimentazione ad una presa di corrente alternata.

Vedi pagina 16 per maggiori informazioni.

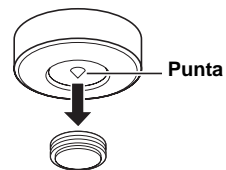
⑥ **AC IN**

Collegare a questa presa il cavo di alimentazione in dotazione.

Vedi pagina 16 per informazioni sui collegamenti.

⑦ **Piedino**

I piedini di quest'unità incorporano delle punte. Usando le punte è possibile ridurre le vibrazioni del sistema. Se si usano le punte, togliere il piedino magnetico tirandolo.



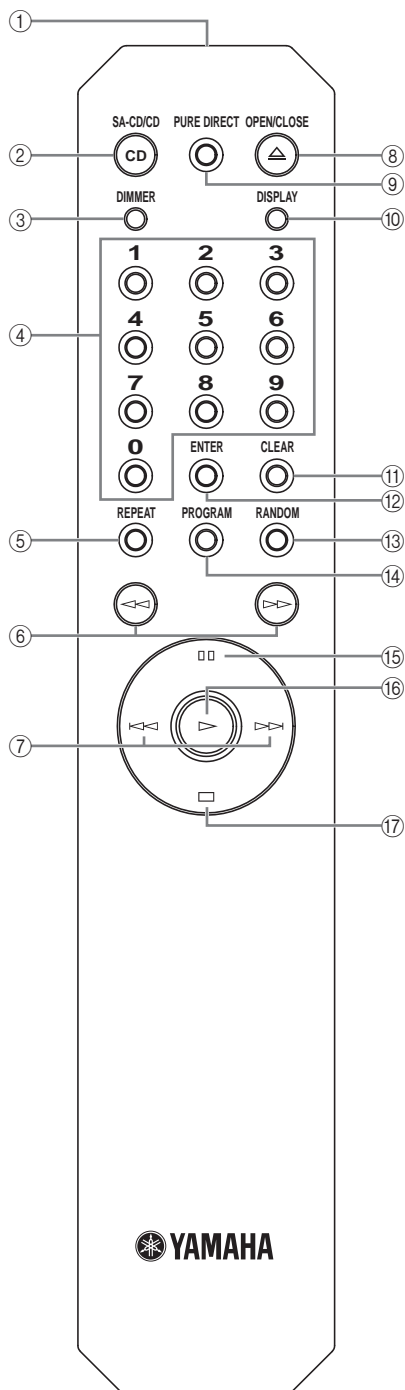
Attenzione

Se si usano le punte incorporate nei piedini, tenere presente che possono graffiare il ripiano su cui quest'unità è installata. Se quest'unità è installata su mobili costosi, usare i supporti.



Se quest'unità fosse poco stabile, regolare l'altezza dei piedini girandoli.

■ Telecomando



① Trasmettitore a raggi infrarossi

Manda segnali ad infrarossi a quest'unità.

② SA-CD/CD

Prima della riproduzione di un SA-CD ibrido, permette di scegliere la modalità SA-CD o CD.



- L'indicatore SA-CD/CD del pannello anteriore si accende quando si è scelto lo strato SA-CD.
- Questa impostazione viene mantenuta anche se quest'unità viene spenta.

③ DIMMER

Sceglie il livello di luminosità del pannello anteriore. Ogni volta che si preme DIMMER, il livello della luminosità cambia nel modo seguente:

Max (massima) → Livello 1 (default) → Livello 2 → Livello 3 (minima) → Max



Questa impostazione viene mantenuta anche se quest'unità viene spenta.

④ Pulsanti numerici

Vengono usati per scegliere i brani direttamente.

Nota

Quest'operazione non funziona con dischi di file MP3 e WMA.

⑤ REPEAT

Ripete la riproduzione di un singolo brano o di tutti i brani. Ogni volta che si preme REPEAT durante la riproduzione, la modalità di ripetizione cambia nel modo seguente:

- REP S (modalità di riproduzione di un singolo brano): Alla fine del brano attuale, la riproduzione riprende dal suo inizio.
- REP ALL (modalità di riproduzione completa): Alla fine dell'ultimo brano, la riproduzione riprende dal primo.

Nota

Quest'operazione non funziona con dischi di file MP3 e WMA.

⑥ ◀▶ (Ricerca all'indietro), ▶▶ (Ricerca in avanti)

Permettono di saltare brani in avanti/all'indietro.



Ad ogni pressione del pulsante ◀▶ o ▶▶, la velocità di ricerca aumenta di 4 livelli.

⑦ ◀◀ (Salto all'indietro), ▶▶ (Salto in avanti)

▶▶ : Permette di saltare al brano successivo.

◀◀ : Permette di tornare all'inizio del brano attuale.

◀◀ (due volte): Permette di tornare al brano precedente.

⑧ OPEN/CLOSE

Fa aprire e chiudere il piatto portadisco.

⑨ PURE DIRECT

Attiva la modalità PURE DIRECT per aumentare la qualità dell'audio.

Quando quest'unità si trova in modalità PURE DIRECT:

- L'indicatore PURE DIRECT sovrastante si illumina.
- L'uscita digitale viene disattivata.
- Il display del pannello anteriore viene spento.



- Il display del pannello anteriore impiega un numero minimo di indicatori e messaggi.
- Questa impostazione viene mantenuta anche se quest'unità viene spenta.

⑩ DISPLAY

Fa cambiare il tempo visualizzato. Ogni volta che si preme DISPLAY durante la riproduzione, il contenuto del display del tempo cambia nel modo seguente:

- Tempo trascorso del brano attuale (impostazione predefinita). L'indicatore TRACK si illumina sul display del pannello anteriore.
- Tempo rimanente del brano attuale. L'indicatore TRACK e quello REMAIN si illuminano sul display del pannello anteriore.
- Tempo rimanente totale del disco. Gli indicatori TOTAL e REMAIN si accendono nel display del pannello anteriore.

⑪ CLEAR

Cancella l'ultimo brano programmato quando quest'unità si trova nella modalità di modifica di programmi. Vedere in proposito la sezione "Riproduzione programmata" di questa pagina.



A riproduzione ferma è possibile cancellare tutti i brani programmati.

⑫ ENTER

Conferma il numero di brano digitato durante la programmazione di brani.

⑬ RANDOM

Attiva o disattiva la caratteristica di riproduzione casuale.


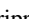
Note

- Quest'operazione non funziona con dischi di file MP3 e WMA.
- La modalità di riproduzione casuale viene cancellata quando la riproduzione si ferma o il disco viene espulso.

⑭ PROGRAM

Attiva o disattiva la caratteristica di riproduzione programmata. Vedere "Riproduzione programmata" in questa pagina.

⑮ (Pausa)

Porta la riproduzione in pausa. Premere  or  per far riprendere la riproduzione.

⑯ (Riproduzione)

Inizia la riproduzione.

⑰ (Arresto)

Fa cessare la riproduzione.

Vedi le pagine 20 per maggiori informazioni sulla riproduzione di file MP3/WMA.

■ Riproduzione programmata

Nella modalità di riproduzione programmata, potete riprodurre brani in un ordine desiderato.

Note

- Quest'operazione non funziona con dischi di file MP3 e WMA.
- I brani programmati vengono cancellati quando il disco viene espulso o quest'unità viene spenta.

1 Premere il pulsante PROGRAM mentre la riproduzione è ferma.

Quest'unità viene portata nella modalità di modifica di programmi.

2 Scegliere un brano con i pulsanti numerici e premere ENTER.

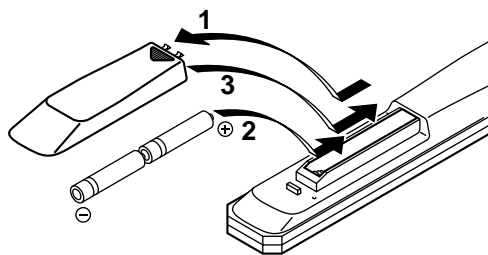
3 Per programmare il brano successivo, ripetere la fase 2.

Potete programmare fino a 24 brani.

4 Premere .

La riproduzione inizia dall'inizio del programma.

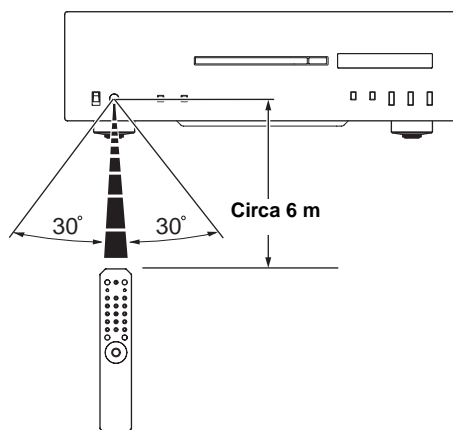
■ Installazione delle batterie nel telecomando



- 1** Premere il punto ▼ e far scivolare via il coperchio del vano batterie.
- 2** Inserire le due batterie in dotazione (AA, R6, UM-3) tenendo presente le indicazioni di polarità (+ e -) all'interno del vano batterie.
- 3** Far scivolare al suo posto il coperchio fino a sentire uno scatto.

■ Uso del telecomando

Il telecomando trasmette un raggio infrarosso direzionale. Durante l'uso, puntare il telecomando sempre direttamente sul sensore di telecomando di quest'unità.





CD-S2000 Collegamenti

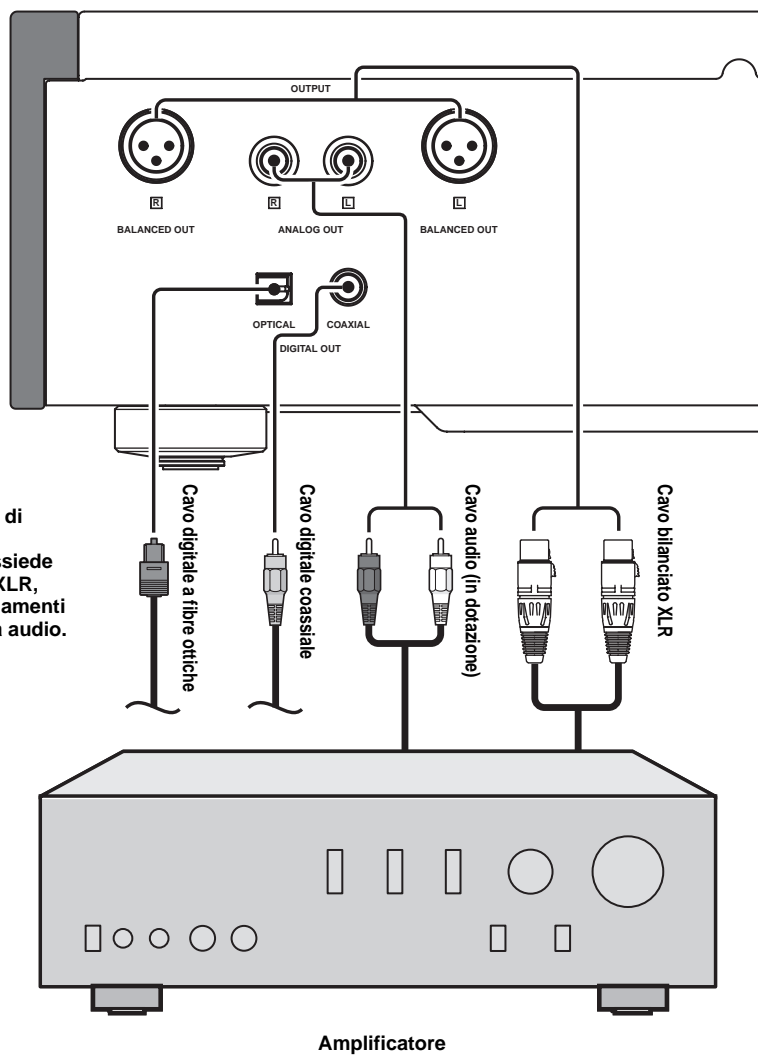
In questa sezione vedremo i collegamenti fra il CD-S2000 ed il vostro amplificatore.

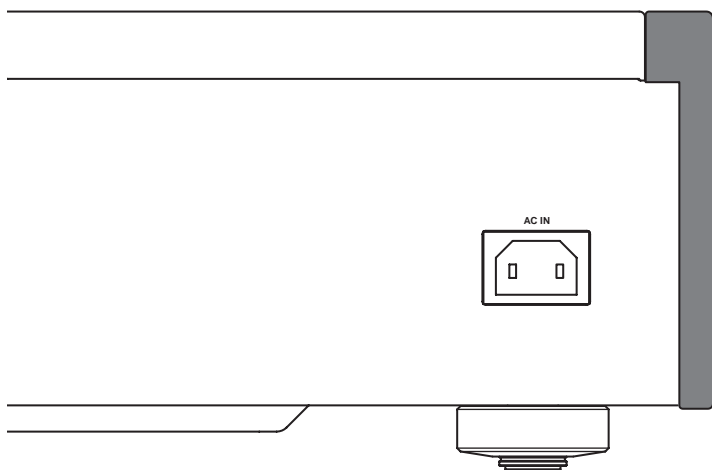
ING OUT

BALANCED OUT

COAXIAL

Scegliere uno di questi tipi di collegamento.
Se il proprio amplificatore possiede prese d'ingresso bilanciate XLR, raccomandiamo di usare collegamenti bilanciati per ottimizzare la resa audio.

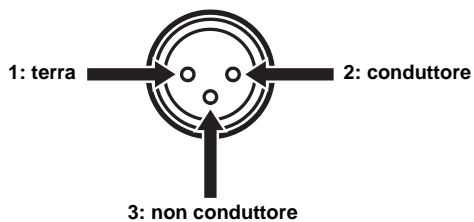




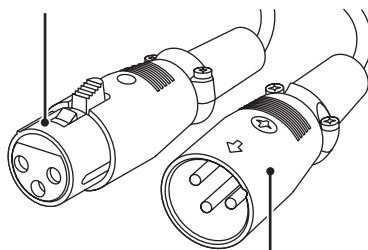
■ Collegamento alle prese BALANCED OUT

Collegare il proprio amplificatore usando le prese di uscita XLR bilanciate. L'assegnazione dei piedini di queste prese è la seguente. Consultare il manuale dell'utente dell'amplificatore e controllare che i suoi ingressi XLR bilanciati siano compatibili con l'assegnazione dei piedini.

Quando si collega, accertarsi di far corrispondere i piedini ed inserire connettore "femmina" del cavo XLR bilanciato. Per scollegare il cavo, estrarre il connettore del cavo XLR "femmina" bilanciato mentre si preme sull'arresto dello spinotto.



Connettore XLR "femmina"



Connettore XLR "maschio"

■ VOLTAGE SELECTOR
(Solo modelli per l'Asia e Generale)**Attenzione**

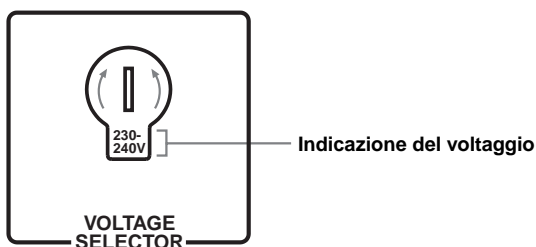
Il selettore VOLTAGE SELECTOR del pannello posteriore di quest'unità deve trovarsi sulla posizione del voltaggio di rete in uso localmente PRIMA del collegamento della spina di alimentazione ad una presa.

La regolazione scorrette di VOLTAGE SELECTOR potrebbe danneggiare quest'unità e causare incendi.

Girar VOLTAGE SELECTOR in senso orario o antiorario con un cacciavite.

I voltaggi permissibili sono i seguenti:

.....C.a. da 110/120/220/230-240 V, 50/60 Hz

**■ Collegamento del cavo di alimentazione**

Collegare il cavo di alimentazione al connettore AC IN solo a collegamenti completi, collegando poi l'altro capo ad una presa di corrente alternata.



CD-S2000 **Dati tecnici**

Questa sezione contiene le caratteristiche tecniche dell'CD-S2000.

SEZIONE AUDIO

- Risposta in frequenza
 - SA-CD Da 2 Hz a 50 kHz (-3 dB)
 - CD Da 2 Hz a 20 kHz
- Distorsione armonica complessiva (DAC)
 - SA-CD 0,0017% o meno
 - CD 0,002% o meno
- Rapporto segnale/rumore (IHF-A Network) 116 dB o più
- Gamma dinamica
 - SA-CD 110 dB o più
 - CD 100 dB o più
- Livello di uscita (1 kHz, 0 dB) $2,0 \pm 0,3$ V

PROPRIETÀ DEL DIODO LASER

- Tipo
 - SA-CD Laser a semiconduttori (AlGaInP)
 - CD Laser a semiconduttori (AlGaAs)
- Lunghezza d'onda
 - SA-CD 650 nm
 - CD 780 nm
- Potenza d'uscita
 - SA-CD 5 mW (max.)
 - CD 7 mW (max.)

DATI GENERALI

- Alimentazione
 - [Modelli per USA e Canada] C.a. da 120 V, 60 Hz
 - [Modelli per Asia e Generale] C.a. da 110/120/220/230-240 V, 50/60 Hz
 - [Modello per Cina] C.a. da 220 V, 50 Hz
 - [Modello per Corea] C.a. da 220 V, 60 Hz
 - [Modello per l'Australia] C.a. da 240 V, 50 Hz
 - [Modelli per GB e l'Europa] C.a. da 230 V, 50 Hz
 - Consumo 30 W
 - Consumo unità spenta 0 W
 - Dimensioni (L x A x P) 435 x 137 x 440 mm
 - Peso 15 kg
- * Dati tecnici soggetti a modifiche senza preavviso.

Cura di quest'unità

Pulire quest'unità senza usare solventi (ad esempio alcol, diluenti, ecc.); essi potrebbero danneggiare le finiture. Usare solo un panno pulito e asciutto. Per sporco tenace, inumidire un panno morbido con acqua mescolata a poco detergente, strizzarlo e passare piano quest'unità.

Le viti sui pannelli laterali possono allentarsi col contrarsi ed espandersi del legno. In tal caso, stringere le viti.

Formato dei dischi riproducibili

■ Tipi di disco supportati

Quest'unità è progettata per riprodurre CD che portano i simboli che seguono. Non tentare di caricare alcun altro tipo di disco in quest'unità. Quest'unità può inoltre riprodurre CD da 8 cm.

CD Super Audio

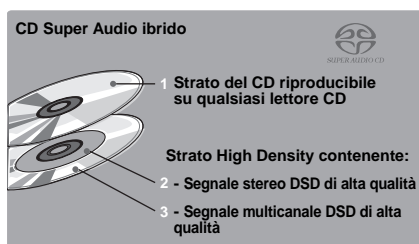
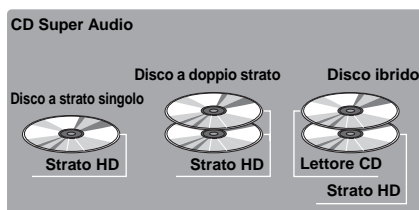


SUPER AUDIO CD

Un formato audio basato sugli standard CD attuali, ma di maggiore capienza e quindi di qualità audio superiore. Esistono tre tipi di disco: a strato singolo, a doppio strato ed ibridi. I dischi ibridi possono venire riprodotti con lettori CD tradizionali e con lettori CD Super Audio, dato che contengono informazioni audio sia CD standard che CD Super Audio.

Nota

Quest'unità non mostra dati testuali col display del pannello anteriore.



CD (audio digitale)



I dischi più usati fra i CD audio in commercio.

Dischi audio digitali CD-R, CD-RW



CD contenenti musica ottenuti copiando un CD-R o CD-RW (inclusi quelli contenenti file MP3 o WMA).

Nota

- Usare sempre CD-R o CD-RW di buona marca.
- Usare un CD-R o CD-RW che porti o la cui custodia porti almeno una delle seguenti frasi.
 - FOR CONSUMER
 - FOR CONSUMER USE
 - FOR MUSIC USE ONLY
- Usare sempre CD-R o CD-RW finalizzati.

Dischi CD-TEXT



Sono dischi contenenti dati testuali, ad esempio titoli di album, nomi di brano e nomi di artista. Questi dischi possono venire riprodotti con lettori CD convenzionali.

Nota

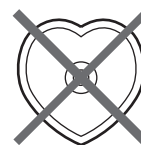
Quest'unità non mostra dati testuali col display del pannello anteriore.

NOTA:

Quest'unità può non essere in grado di riprodurre alcuni CD-RW o dischi non registrati correttamente.

Per evitare problemi a quest'unità:

- Non usare dischi di forma non standard (a cuore, ecc.), dato che possono danneggiare quest'unità.
- Non usare dischi che portino etichetta, nastro adesivo o altro. Essi possono bloccarsi nel lettore e causare danni seri.



■ I dischi di file MP3 e WMA

Potete riprodurre CD-R o CD-RW contenenti file MP3 e WMA come se fossero CD normali.

MP3

MP3 La (MPEG-1 Audio Layer-3) è una tecnologia standard ed un formato di compressione di file audio. Essa garantisce un livello qualitativo dell'audio spesso indistinguibile dall'originale.

Note

- Quest'unità riproduce file MP3 in ordine alfanumerico.
- Vengono riconosciuti fino a 648 cartelle e file (in totale) e fino a 299 cartelle; tuttavia, alcuni file o cartelle possono non venire riconosciuti a causa della struttura gerarchica del disco.
- A seconda delle condizioni di registrazione, ad esempio delle impostazioni del software di registrazione, quest'unità potrebbe non essere in grado di riprodurre i brani del disco nell'ordine di registrazione.
- Quest'unità è compatibile con una frequenza di campionamento da 44,1 kHz.
- Questa unità è compatibile con bitrate da 32, 40, 48, 56, 64, 80, 96, 112, 128, 160, 192, 224, 256 o 320 kbps. Il bitrate variabile non è supportato.
- Il disco inoltre deve essere ISO9660 compatibile.
- I dati testuali contenuti nei file non vengono visualizzati da quest'unità.

WMA

WMA (Windows Media Audio) è un formato di file audio della Microsoft simile a MP3, ma WMA è in grado di ottenere rapporti di compressione superiori a MP3.

Note

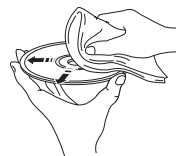
- Quest'unità riproduce file WMA in ordine alfanumerico.
- Vengono riconosciuti fino a 648 cartelle e file (in totale) e fino a 299 cartelle; tuttavia, alcuni file o cartelle possono non venire riconosciuti a causa della struttura gerarchica del disco.
- Quest'unità è compatibile con una frequenza di campionamento da 44,1 kHz.
- Questa unità è compatibile con bitrate da 48, 64, 80, 96, 128, 160 o 192 kbps. Il bitrate variabile non è supportato.
- Il disco inoltre deve essere ISO9660 compatibile.
- I file WMA protetti dalla duplicazione non possono venire riprodotti.
- I dati testuali contenuti nei file non vengono visualizzati da quest'unità.

■ Come maneggiare i CD

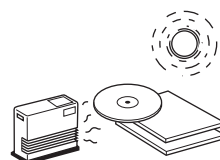
- Trattare i dischi con la dovuta cura in modo da non graffiarli.



- I CD non si consumano durante la riproduzione, ma i danni alla loro superficie possono pregiudicare la riproduzione.
- Per scrivere sull'etichetta di un disco, usare solo un pennarello morbido. Non usare penne a sfera, matite o altri strumenti appuntiti, dato che possono danneggiare il disco e quindi il suono che produce.
- Proteggere i dischi dalle deformazioni.
- Se un disco non è in uso, toglierlo dall'apparecchio e rimmetterlo nella sua custodia.
- Nel rimuovere o conservare un disco, fare attenzione a non graffiarne la superficie.
- La riproduzione di un CD non è influenzata da polvere o impronte sulla sua superficie, ma è bene tenerlo pulito ugualmente. Passare i dischi con un panno soffice ed asciutto. Non passare il disco circolarmente; muoversi dal centro verso l'esterno.



- Non provare a pulire la superficie del disco con pulenti per dischi, spray, spray o liquidi antistatici o altre sostanze chimiche, dato che esse possono danneggiarlo irrimediabilmente.
- Non esporre i dischi a luce solare diretta, temperature elevate o umidità eccessiva per periodi prolungati, dato che altrimenti si possono deformare e danneggiare.



- Per riprodurre CD da 8 cm, inserirli nell'incassatura centrale del piatto portadischi. Non mettere mai un CD da 12 cm sopra uno da 8 cm.

Se quest'unità non funziona a dovere, consultare la sezione del manuale che segue. Se il problema che avete non viene trattato o se i rimedi proposti non servono, spegnere quest'unità, scollegare il cavo di alimentazione ed entrare in contatto col rivenditore autorizzato o centro assistenza Yamaha più vicino.

Problema	Causa	Rimedio	Vedere pagina
L'apparecchio non si accende quando si preme verso l'alto POWER.	Il cavo di alimentazione è staccato, o inserito in modo non corretto.	Collegare il cavo di alimentazione ben a fondo.	16
Il piatto portadischi non si richiude completamente.	Un qualche oggetto estraneo impedisce la chiusura del piatto.	Esaminare attentamente il piatto e togliere l'eventuale impedimento.	—
La riproduzione non ha inizio.	Il disco è danneggiato.	Problema probabilmente insolubile. Ascoltare qualcos'altro.	—
	Si è formata della condensa sul pickup laser.	Accendere l'apparecchio ed attendere 20 o 30 minuti prima di avviare la riproduzione.	—
	Il disco è stato inserito capovolto.	Inserire il disco in modo corretto, con il lato etichettato rivolto verso l'alto.	—
	Il disco è sporco.	Pulirlo.	—
	Quest'unità non è compatibile con i formati MP3 e WMA.	Il disco non è di tipo standard e non può essere letto con quest'apparecchio.	20
	Il disco CD-RW (Riscrivibile) non è registrato correttamente.	Il disco non è di tipo standard e non può essere letto con quest'apparecchio.	—
	Sostituire il disco con un disco registrato correttamente e che possa essere letto da quest'apparecchio.	Il disco non è di tipo standard e non può essere letto con quest'apparecchio.	—
La riproduzione inizia con ritardo, o in un punto diverso da quello previsto.	Il disco è forse rigato o danneggiato.	Problema probabilmente insolubile. Ascoltare qualcos'altro.	—
Nessun suono.	Errato collegamento dei cavi di uscita.	Verificare il collegamento dei cavi. Se il problema persiste, i cavi sono probabilmente difettosi.	14
	L'amplificatore non è predisposto in modo corretto.	Regolare i comandi dell'amplificatore in modo da selezionare l'ingresso corretto.	—
Il suono "salta".	L'apparecchio subisce vibrazioni o altri disturbi.	Modificare l'installazione dell'apparecchio.	—
	Il disco è sporco.	Pulirlo.	—
Si sente un rombo.	Cavi collegati in modo difettoso.	Verificare il collegamento dei cavi. Se il problema persiste, i cavi sono probabilmente difettosi.	14
Disturbi dovuti ad una radio vicina.	Il sintonizzatore è troppo vicino all'apparecchio.	Allontanare il sintonizzatore da quest'unità.	—
Rumore dall'interno del piatto portadischi.	Il disco è probabilmente ondulato.	Nulla da fare. Ascoltare qualcos'altro.	—
Il telecomando non funziona.	Le batterie del telecomando sono esaurite.	Sostituirle con altre nuove.	12
	Il telecomando viene usato da troppo lontano o ad una angolatura sbagliata.	Usare entro 6 m, ad una deviazione massima di 60°.	12
	La luce solare o di una lampada (a fluorescenza con invertitore, ecc.) colpisce direttamente il sensore di telecomando di quest'unità.	Cambiare la posizione di quest'unità.	12

HiFi empezó con Yamaha

La relación de Yamaha con la música y su pasión por la misma se remonta a más de un siglo, cuando fabricamos nuestro primer órgano de lengüetas en 1887. Ahora somos líderes mundiales en la fabricación de pianos y otros instrumentos musicales, y también estamos relacionados con la música de muchas otras formas. Fabricamos equipos de grabación profesionales, diseñamos salas de conciertos y ayudamos a los artistas en la preparación de sus conciertos y en la afinación del sonido.

Este conocimiento y experiencia beneficia nuestra producción de componentes de audio de muchas formas. Presentamos nuestro primer tocadiscos de HiFi (alta fidelidad) en 1954. Desde entonces somos una de las primeras compañías en fabricar en masa equipos de audio de alta calidad, y hemos presentado muchos componentes estéreo legendarios.

Esperamos que disfrute de la genuina experiencia HiFi de Yamaha Natural Sound.



Excelencia en audio

1920-
1960s

Primer sistema HiFi presentado en 1920

En 1955 – 1965 hemos presentado numerosos componentes HiFi (tocabiscos, sintonizadores de FM/AM, amplificadores integrados, preamplificadores, amplificadores de potencia, y altavoces).



NS-20



CA-1000

Serie de Altavoces Natural Sound presentada en 1967

Altavoz monitor NS-20



NS-690



NS-1000M

1970s

Amplificador integrado CA-1000

Con funcionamiento Clase A, el CA-1000 estableció la norma para amplificadores integrados.

Altavoz monitor NS-690

Altavoz monitor NS-1000M

Un amplificador verdaderamente legendario aún reverenciado por los entusiastas de HiFi.

Amplificador de potencia B-1

Un innovador amplificador de potencia que usó FETs en todas las etapas.

Amplificador de control C-2

Primer premio en Muestra Internacional de Música y HiFi de Milán

Altavoz monitor de estudio NS-10M

Se convirtió en uno de los altavoces monitores de estudio más popular del mundo.

Amplificador integrado A-1

Giradiscos PX-2

Primer tocadiscos de brazo recto de Yamaha.



A-1



C-2



PX-2



NS-10M



A-1

1980s

Amplificador de potencia B-6

Amplificador de potencia en forma de pirámide.

Giradiscos GT-2000/L

Primer reproductor CD (CD-1) presentado en 1983

Amplificador de potencia B-2x

Amplificador de potencia MX-10000 y amplificador de control CX-10000

Redefinió la capacidad de los componentes separados.

Amplificador integrado AX-1



B-6



B-2x



MX-10000



CX-10000

1990s

Reproductor CD GT-CD1

Amplificador de potencia MX-1 y preamplificador CX-1

2000s

Sistemas de altavoces Natural Sound Soavo-1 y Soavo-2

Amplificador estéreo A-S2000 y reproductor CD Super Audio CD-S2000



Soavo-1



Soavo-2

CD-S2000

- ◆ *Transmisión de señal equilibrada de etapa completa que logra lo último en reproducción de CD*
- ◆ *Transmisión de señal equilibrada de etapa completa empezando con el DAC*
- ◆ *Cargador silencioso y accionamiento de CD de alta precisión*
- ◆ *Suministros de alimentación independientes con señales digitales y analógicas completamente separadas*
- ◆ *Pure Direct*
- ◆ *Diseño simétrico de izquierda-derecha con construcción fuerte y estable*
- ◆ *Supersonido de Super Audio CDs*

■ Accesorios suministrados

Verifique que ha recibido todos los componentes siguientes.

- Cable de alimentación de CA
- Mando a distancia
- Pilas (AA, R6, UM-3) (×2)
- Cable con clavijas de audio
- Folleto de seguridad

Índice

Controles y funciones	6
Conexiones	14
Especificaciones	18
Formato de disco reproducible	19
Solución de problemas	21

■ Acerca de este manual

- ☼ indica un consejo para su utilización.
- Este manual se imprime antes de la producción. El diseño y las especificaciones están sujetos a cambios por motivo de mejoras, etc. Si hay diferencias entre el manual y el producto, el producto tiene prioridad.
- El color de las imágenes de este manual puede ser diferente al original.
- Lea el folleto de seguridad antes de utilizar esta unidad.

CD-S2000

Controles y funciones

En este capítulo aprenderá los controles y funciones del CD-S2000.

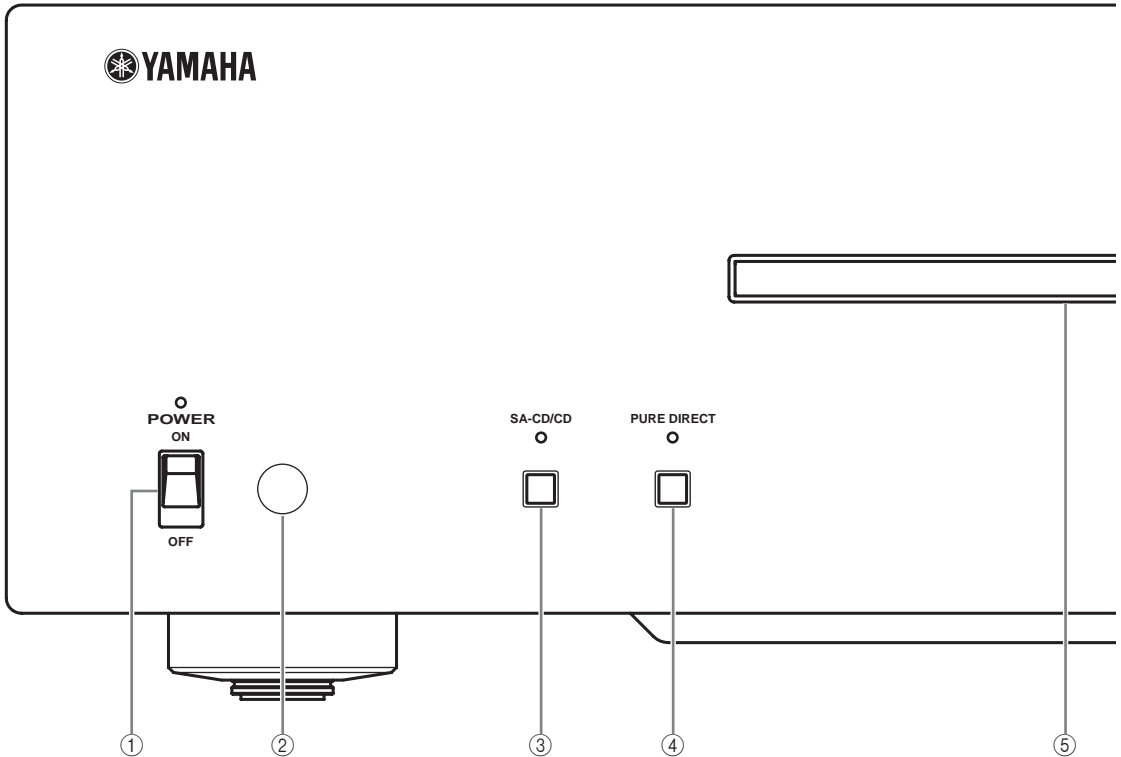
POWER
ON



OFF



■ Panel delantero



① POWER

Pulse hacia arriba o hacia abajo para encender o apagar esta unidad.



El indicador POWER de arriba se enciende cuando se enciende esta unidad.

② Sensor de mando a distancia

Recibe señales del mando a distancia.

③ SA-CD/CD

Cambia la capa de reproducción de un SA-CD híbrido entre SA-CD y CD.



- El indicador SA-CD/CD de arriba se enciende cuando se selecciona la capa SA-CD.
- Este ajuste se mantiene aunque usted apague esta unidad.

④ PURE DIRECT

Activa el modo PURE DIRECT para mejorar la calidad de audio.

Cuando esta unidad está en el modo PURE DIRECT.

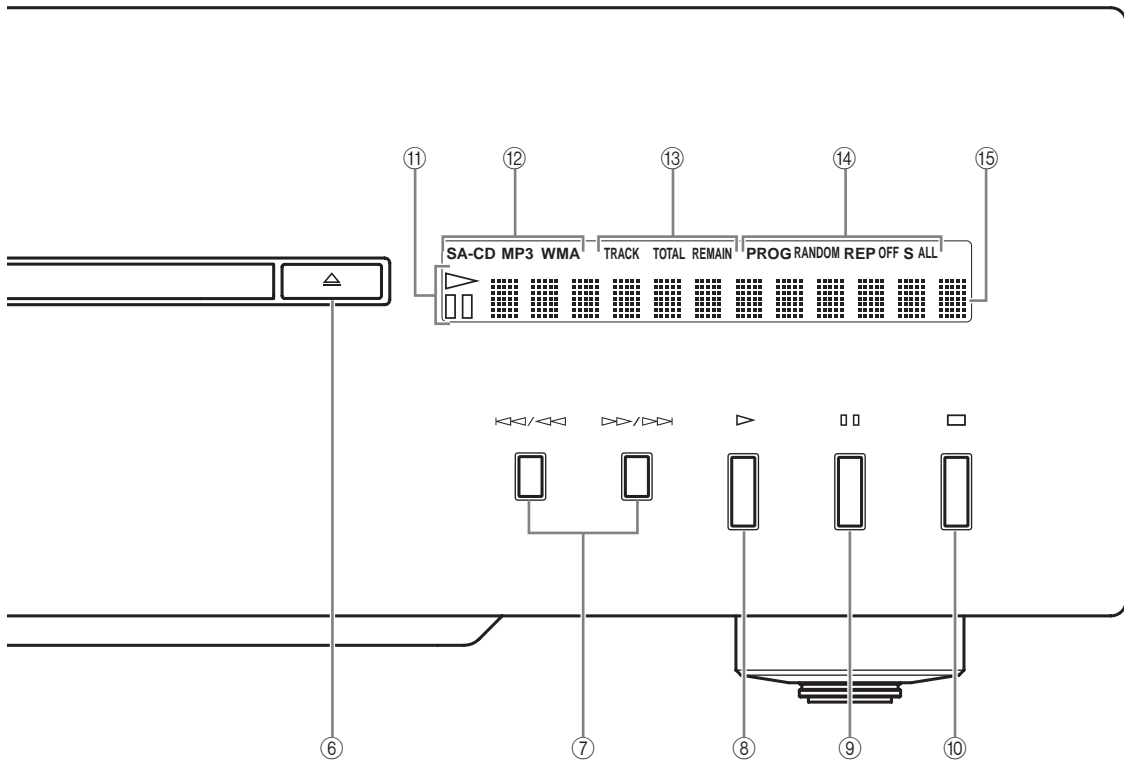
- El indicador PURE DIRECT de arriba se enciende.
- La salida digital se apaga.
- El visualizador del panel delantero se apaga.



- Los últimos indicadores y mensajes aún se muestran en el visualizador del panel delantero.
- Pulse de nuevo para desactivar el modo PURE DIRECT.
- Este ajuste se mantiene aunque usted apague esta unidad.

⑤ Bandeja de disco

Carga un disco.



⑥ **△ (Abrir/Cerrar)**

Abre o cierra la bandeja del disco.



También puede cerrar la bandeja del disco:

- pulsando ▷ (Reproducción) en el panel delantero o en el mando a distancia, o empujando suavemente el borde de la bandeja.
- pulsando un botón numérico en el mando a distancia.

⑦ **◀/▶ (Salto/Búsqueda hacia atrás), ▶/▶▶ (Salto/Búsqueda hacia adelante)**

▶/▶▶ : Salta a la pista siguiente.

◀/▶▶ : Salta al comienzo de la pista actual.

◀/▶▶ (dos veces): Salta a la pista anterior.

Mantenga pulsado ◀/▶▶ o ▶/▶▶ para buscar hacia atrás/adelante.



Cada vez que pulse y mantenga pulsado ◀/▶▶ o ▶/▶▶, la velocidad de búsqueda aumentará en 4 niveles.

⑧ **▷ (Reproducción)**

Inicia la reproducción.

⑨ **▢▢ (Pausa)**

Hace una pausa en la reproducción. Pulse ▷ o ▢▢ para reanudar la reproducción.

⑩ **▢ (Parada)**

Detiene la reproducción.

⑪ **Indicador del estado de reproducción**

⑫ **Indicador del tipo de disco**

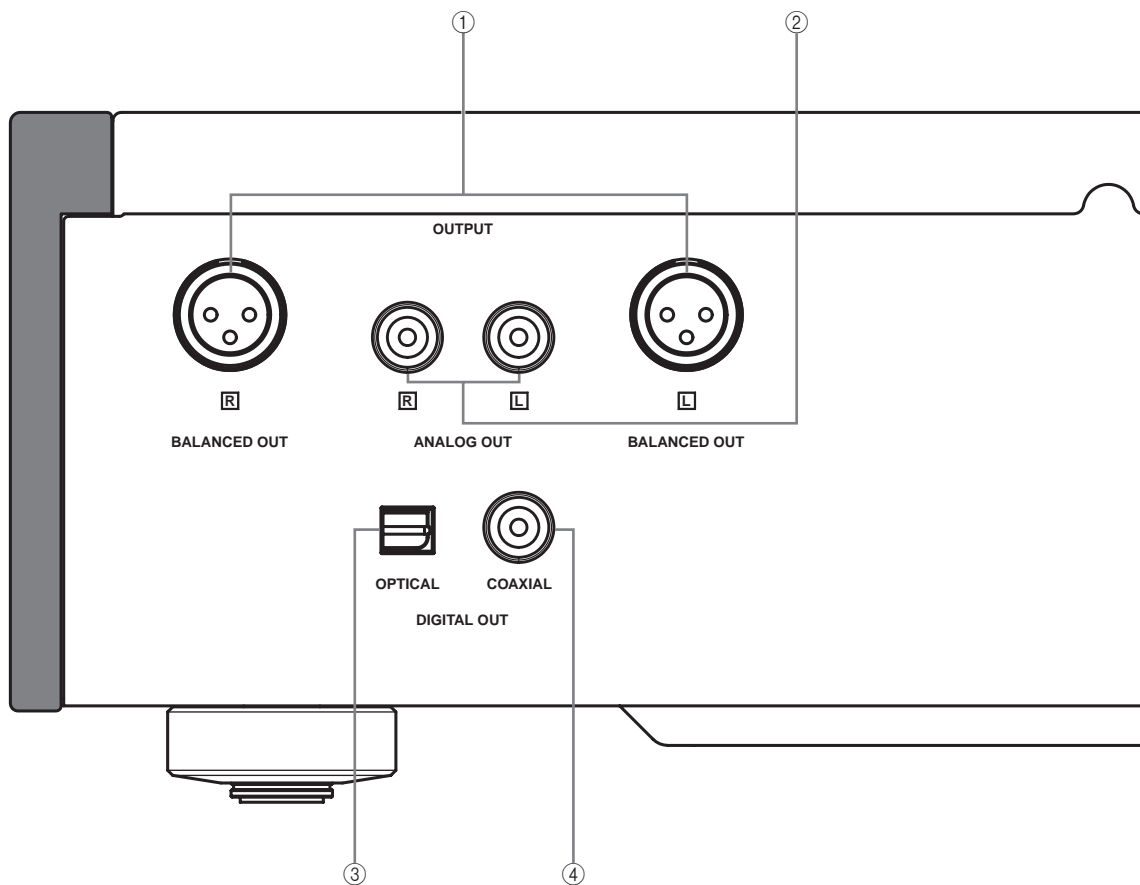
⑬ **Indicador del modo de visualización de tiempo**

⑭ **Indicador del modo de reproducción**

⑮ **Visualizador de información múltiple**

Vea las páginas 20 para más información de la reproducción MP3/WMA.

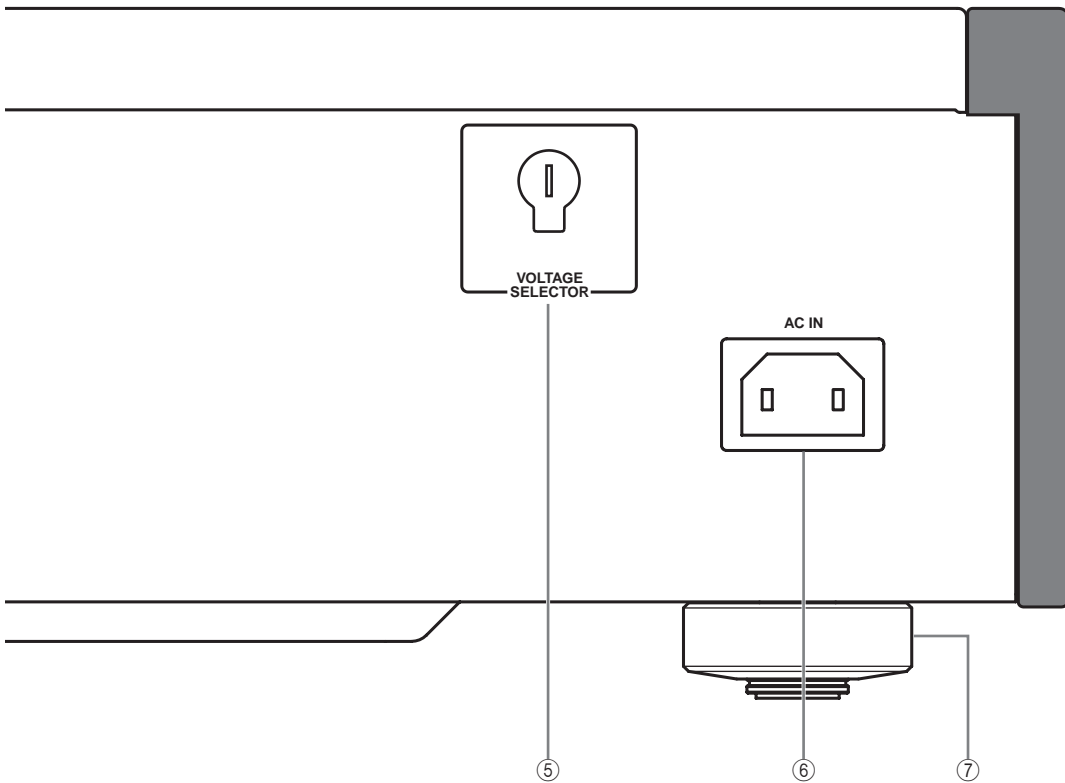
■ **Panel trasero**



Vea la página 14 para conocer información de conexión.

- ① **Jacks BALANCED OUT**
- ② **Jacks ANALOG OUT**
- ③ **Jack OPTICAL DIGITAL OUT**
- ④ **Jack COAXIAL DIGITAL OUT**

(Modelos de Asia y Generales)



⑤ **VOLTAGE SELECTOR**
(Modelos de Asia y Generales solamente)

El VOLTAGE SELECTOR del panel trasero de esta unidad deberá ponerse en la posición correspondiente a la tensión de su localidad ANTES de enchufar el cable de alimentación de CA a la toma de CA.

Vea la página 16 para conocer más información.

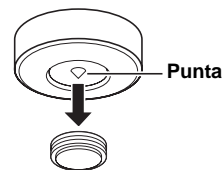
⑥ **AC IN**

Use esta entrada para conectar el cable de alimentación suministrado.

Vea la página 16 para conocer información de conexión.

⑦ **Pata**

Las patas de esta unidad incluyen puntas. Usar las puntas puede reducir el efecto de las vibraciones en el aparato. Cuando use las puntas, retire las patas magnéticas tirando de ellas.



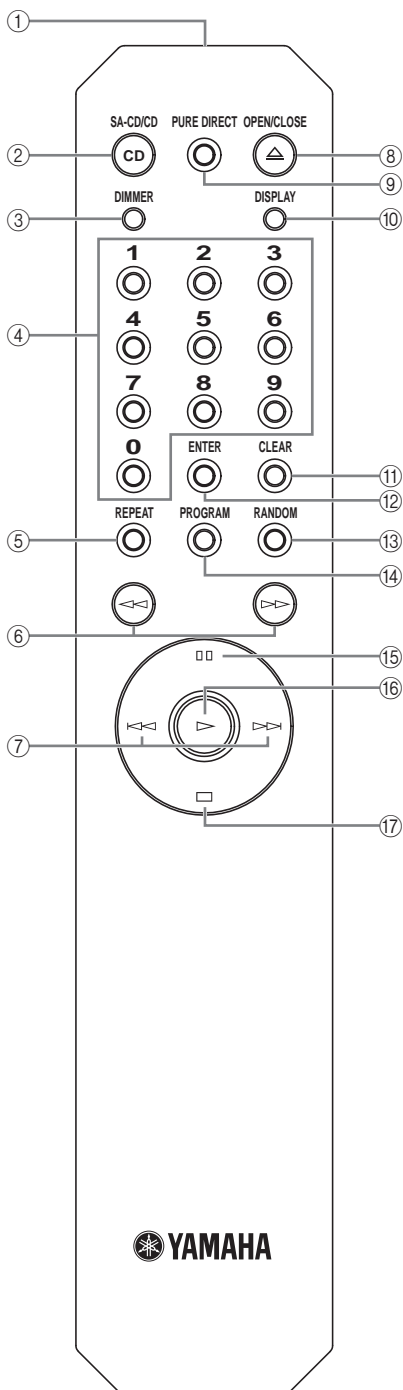
Precaución

Cuando use las puntas incorporadas en las patas, las puntas podrán rayar la estantería o el suelo donde se instale esta unidad. Use los soportes cuando coloque esta unidad en un mueble caro, etc.



Si esta unidad no está estable podrá ajustar la altura de las patas girándolas.

■ Mando a distancia



① Transmisor de señal infrarroja

Envía señales infrarrojas a esta unidad.

② SA-CD/CD

Cambia la capa de reproducción de un SA-CD híbrido entre SA-CD y CD.



- El indicador SA-CD/CD del panel delantero se enciende cuando se selecciona la capa SA-CD.

- Este ajuste se mantiene aunque usted apague esta unidad.

③ DIMMER

Selecciona el nivel de brillo del visualizador del panel delantero. Cada vez que pulse DIMMER, el nivel de brillo cambiará de la forma siguiente:

Máximo (más brillante) → Nivel 1 (predeterminado) → Nivel 2 → Nivel 3 (más oscuro) → Máximo



Este ajuste se mantiene aunque usted apague esta unidad.

④ Botones numérico

Se usan para seleccionar directamente una pista.

Nota

Esta operación no sirve para los discos MP3 o WMA.

⑤ REPEAT

Repita la reproducción de una pista o todas ellas. Cada vez que pulsa REPEAT, durante la reproducción, el modo de repetición cambia de la forma siguiente:

- REP S (repetición de reproducción de una pista): Al llegar al final de la pista actual, la reproducción se repite desde el comienzo de esa pista.
- REP ALL (repetición de reproducción de todas las pistas): Al llegar al final de la última pista, la reproducción se repite desde el comienzo de la primera pista.

Nota

Esta operación no sirve para los discos MP3 o WMA.

⑥ < (Búsqueda hacia atrás),

> (Búsqueda hacia adelante)

Busca pistas hacia atrás/adelante.



Cada vez que pulse < o >, la velocidad de búsqueda aumentará en 4 niveles.

⑦ << (Salto hacia atrás),

>> (Salto hacia adelante)

>> : Salta a la pista siguiente.

<< : Salta al comienzo de la pista actual.

<<< (dos veces): Salta a la pista anterior.

⑧ OPEN/CLOSE

Abre o cierra la bandeja del disco.

⑨ PURE DIRECT

Activa el modo PURE DIRECT para mejorar la calidad de audio.

Cuando esta unidad está en el modo PURE DIRECT:

- El indicador PURE DIRECT de arriba se enciende.
- La salida digital se apaga.
- El visualizador del panel delantero se apaga.



- Los últimos indicadores y mensajes aún se muestran en el visualizador del panel delantero.
- Este ajuste se mantiene aunque usted apague esta unidad.

⑩ DISPLAY

Cambia a la visualización del tiempo. Cada vez que pulsa DISPLAY durante la reproducción, la visualización del tiempo cambia de la forma siguiente:

- Tiempo transcurrido de la pista actual (ajuste predeterminado) El indicador PISTA se enciende en el visualizador del panel delantero.
- Tiempo restante de la pista actual. Los indicadores PISTA y REMAIN se encienden en el visualizador del panel delantero.
- Tiempo restante total del disco. Los indicadores TOTAL y REMAIN se encienden en el visualizador del panel delantero.

⑪ CLEAR

Borra la última pista programada cuando esta unidad está en el modo de edición de programa. Consulte “Reproducción programada” de esta página.



Usted podrá borrar todas las pistas programadas cuando la reproducción esté parada.

⑫ ENTER

Confirma un número de pista introducido cuando programas pistas.

⑬ RANDOM

Activa o desactiva el modo de reproducción aleatoria.

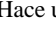
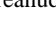
Notas

- Esta operación no sirve para los discos MP3 o WMA.
- El modo de reproducción aleatoria se cancela cuando se detiene la reproducción o se expulsa el disco.

⑭ PROGRAMA

Activa o desactiva el modo de reproducción programada. Vea “Reproducción programada” en esta página.

⑮ (Pausa)

Hace una pausa en la reproducción. Pulse  o  para reanudar la reproducción.

⑯ (Reproducción)

Inicia la reproducción.

⑰ (Parada)

Detiene la reproducción.

Vea las páginas 20 para más información de la reproducción MP3/WMA.

■ Reproducción programada

En el modo de reproducción programada puede reproducir pistas en un orden programado.

Notas

- Esta operación no sirve para los discos MP3 o WMA.
- Las pistas programadas se borran al expulsar el disco o al apagar esta unidad.

1 Pulse PROGRAMA mientras la reproducción esté parada.

Esta unidad se pone en el modo de edición programada.

2 Seleccione una pista con los botones numéricos y ENTER.

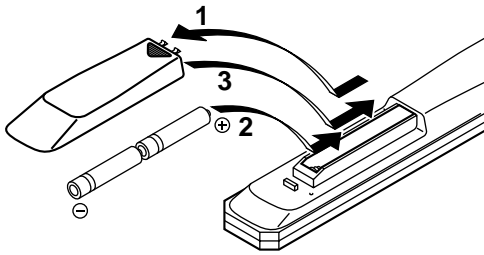
3 Repita el paso 2 para programar la siguiente pista.

Puede programar hasta 24 pistas.

4 Pulse .

La reproducción empieza desde el comienzo del orden programado.

■ Instalación de las pilas en el mando a distancia

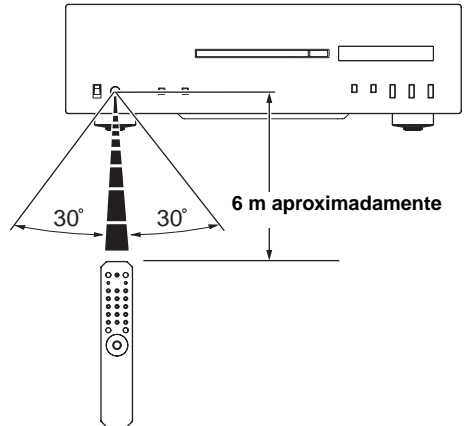


- 1** Presione la parte ▼ y deslice la tapa del compartimiento de las pilas para retirarla.
- 2** Introduzca las dos pilas suministradas (AA, R6, UM-3) según las marcas de polaridad (+ y -) del interior del compartimiento de las pilas.
- 3** Deslice la tapa hasta que quede bloqueada.

■ Utilización del mando a distancia

El mando a distancia transmite un rayo infrarrojo direccional.

Asegúrese de apuntar directamente el mando a distancia al sensor de mando a distancia del panel delantero de esta unidad durante el funcionamiento.





CD-S2000 Conexiones

En esta sección hará las conexiones entre el CD-S2000 y su amplificador.

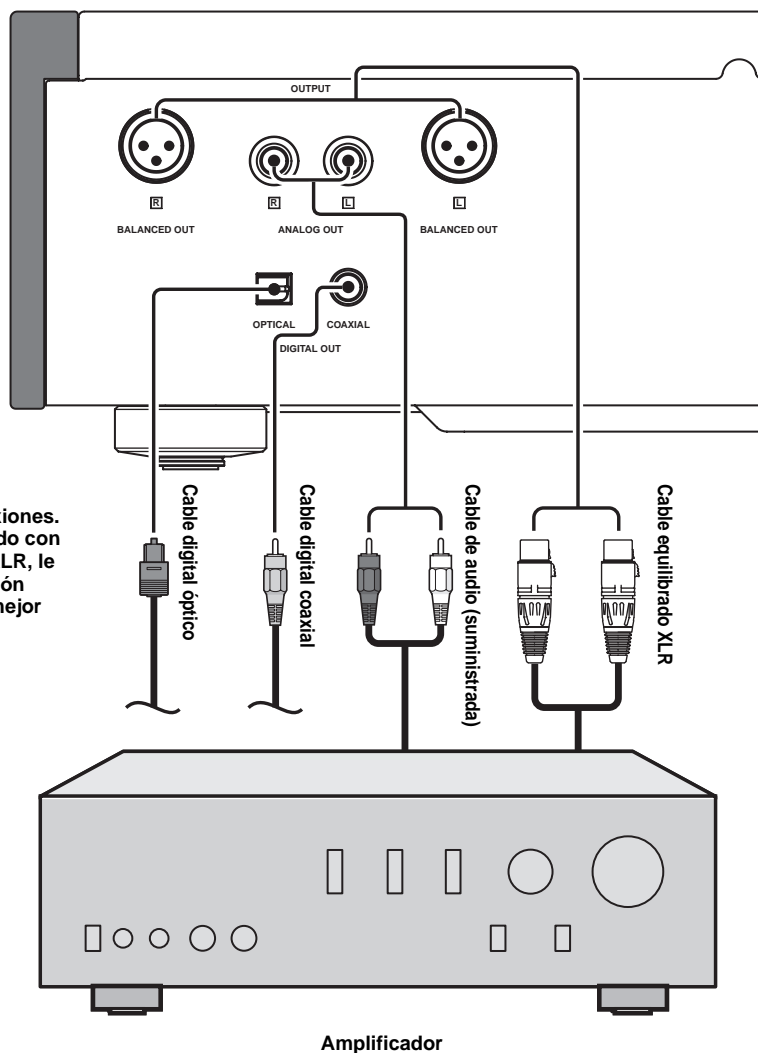


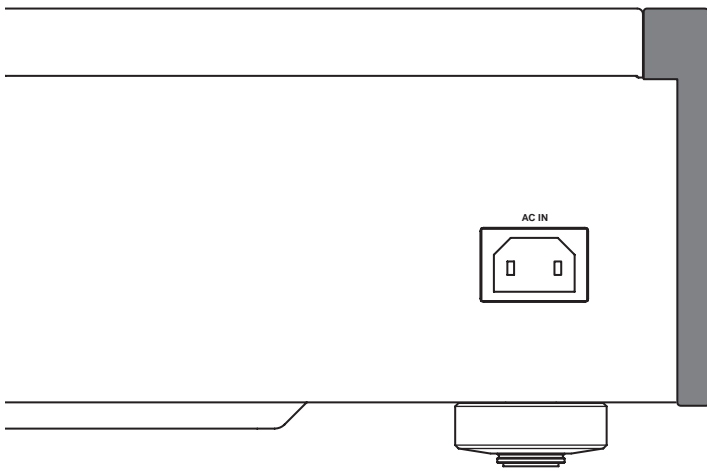
BALANCED OUT

OUT
ING OUT

COAXIAL

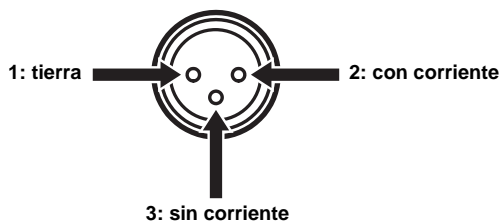
Seleccione una de estas conexiones. Si su amplificador está equipado con jacks de entrada equilibrada XLR, le recomendamos una conexión equilibrada para obtener el mejor rendimiento de audio.



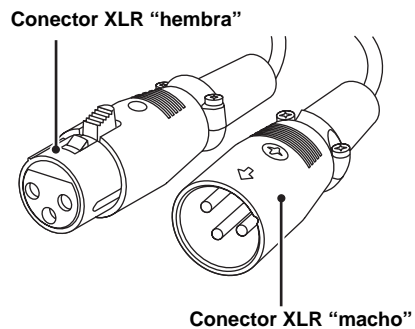


■ Conexión a los jacks BALANCED OUT

Conecte su amplificador con los jacks de salida equilibrada XLR. Las asignaciones de contactos para estos jacks se muestran a continuación. Consulte el manual de instrucciones suministrado con su amplificador y verifique que sus jacks de entrada equilibrada XLR sean compatibles con las asignaciones de las clavijas.



Cuando conecte, asegúrese de casar los contactos e inserte el conector del cable equilibrado XLR “hembra”. Cuando desconecte, tire del cable equilibrado XLR “hembra” manteniendo presionado el seguro de bloqueo del conector.



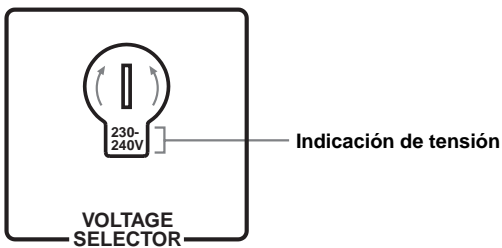
■ **VOLTAGE SELECTOR**
(Modelos de Asia y Generales solamente)

Precaución

El VOLTAGE SELECTOR del panel trasero de esta unidad debe ajustarse para la tensión de la red eléctrica local ANTES de conectar el cable de alimentación a la toma de CA. Un ajuste incorrecto del VOLTAGE SELECTOR puede ser la causa de que esta unidad se convierta en un posible peligro de incendio.

Gire el VOLTAGE SELECTOR a derecha o izquierda a la posición correcta usando un destornillador de punta plana. Las tensiones son las siguientes:

..... CA 110/120/220/230–240 V, 50/60 Hz



■ **Conexión del cable de alimentación**

Enchufe el cable de alimentación en el conector AC IN cuando termine todas las conexiones, y luego enchufe el cable de alimentación en la toma de CA.



CD-S2000 **Especificaciones**

En esta sección encontrará las especificaciones técnicas para CD-S2000.

SECCIÓN DE AUDIO

- Respuesta de frecuencia
 - SA-CD 2 Hz a 50 kHz (-3 dB)
 - CD 2 Hz a 20 kHz
- Distorsión armónica total
 - SA-CD 0,0017% o menos
 - CD 0,002% o menos
- Relación señal a ruido (red IHF-A) 116 dB o más
- Gama dinámica
 - SA-CD 110 dB o más
 - CD 100 dB o más
- Nivel de salida (1 kHz, 0 dB) $2,0 \pm 0,3$ V

PROPIEDADES DE DIODO LÁSER

- Tipo
 - SA-CD Láser de semiconductor (AlGaInP)
 - CD Láser de semiconductor (AlGaAs)
- Longitud de onda
 - SA-CD 650 nm
 - CD 780 nm
- Potencia de salida
 - SA-CD 5 mW (máx.)
 - CD 7 mW (máx.)

GENERALIDADES

- Alimentación
 - [Modelos de EE.UU. y Canadá] CA 120 V, 60 Hz
 - [Modelos de Asia y Generale] CA 110/120/220/230-240 V, 50/60 Hz
 - [Modelo de China] CA 220 V, 50 Hz
 - [Modelo de Corea] CA 220 V, 60 Hz
 - [Modelo de Australia] CA 240 V, 50 Hz
 - [Modelos del R.U. y Europa] CA 230 V, 50 Hz
 - Consumo de energía 30 W
 - Consumo de energía en estado de apagado 0 W
 - Dimensiones (An x Al x Prof) 435 x 137 x 440 mm
 - Peso 15 kg
- * Las especificaciones están sujetas a cambios sin previo aviso.

Cuidados de esta unidad

Cuando limpie esta unidad no use disolventes químicos (alcohol, diluyente de pintura, etc.) porque éstos pueden dañar el acabado. Use un paño limpio y seco. Para la suciedad difícil de limpiar, moje un paño blando en detergente diluido en agua, escúrralo y luego páselo por la unidad para limpiarla.

Los tornillos de los paneles laterales pueden aflojarse a medida que la madera se expanda y contraiga. En este caso, apriete los tornillos.

Formato de disco reproducible

Tipos de discos compatibles

Esta unidad ha sido diseñada para reproducir discos compactos que tienen las marcas mostradas abajo. No intente nunca introducir ningún otro tipo de disco en esta unidad. Esta unidad también puede reproducir discos compactos de 8 cm.

Super Audio CD

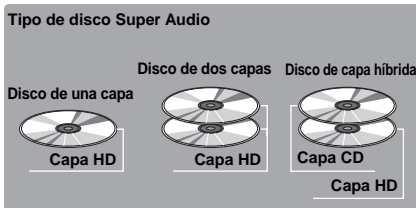


SUPER AUDIO CD

Este formato de audio se basa en las normas de CD actuales, pero incluye mayor información que proporciona un sonido de calidad más alta. Hay tres tipos de discos: discos de capa única, de capa doble e híbridos. El disco híbrido se puede reproducir en los reproductores CD existentes, así como también en reproductores Super Audio CD, ya que contiene información de CD de audio estándar y Super Audio CD.

Nota

Esta unidad no muestra datos de texto en el visualizador del panel delantero.



Discos compactos (audio digital)



Los discos más populares de venta en comercios de discos CD.

Discos de audio digital CD-R, CD-RW



CDs de música copiando en discos CD-R o CD-RW (incluyendo discos del formato MP3 o WMA).

Notas

- Asegúrese de usar un disco CD-R o CD-RW de fabricantes fiables.
- Asegúrese de usar un disco CD-R o CD-RW que tenga al menos una de las frases siguientes, en el disco o en su caja.
 - FOR CONSUMER
 - FOR CONSUMER USE
 - FOR MUSIC USE ONLY
- Asegúrese de usar un disco CD-R o CD-RW finalizado.

Discos CD-TEXT



Los discos grabados con datos de texto tales como títulos de álbumes, títulos de pistas y nombres de artistas. Estos discos se pueden reproducir con reproductores CD convencionales.

Nota

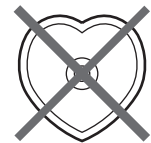
Esta unidad no muestra datos de texto en el visualizador del panel delantero.

NOTA:

Esta unidad puede no reproducir algunos discos CD-RW o discos que no fueron grabados correctamente.

Para evitar fallos en esta unidad:

- No use discos de formas extrañas (forma de corazón, etc.) de venta en el mercado porque podrían dañar esta unidad.
- No utilice un disco con cinta, pegatinas o pegamento pegados en él. Tal disco podrá quedar atascado en esta unidad o podrá dañarla.



Formato de disco reproducible

■ Acerca de los discos MP3 y WMA

Puede reproducir archivos MP3 y WMA grabados en un CD-R o CD-RW de forma similar a como reproduce un CD de música.

MP3

MP3 (MPEG-1 Audio Layer-3) es un formato y una tecnología estándar para comprimir secuencias de audio en archivos de pequeño tamaño. Sin embargo, el nivel original de calidad de sonido se mantiene durante la reproducción.

Notas

- Esta unidad reproduce archivos MP3 en orden alfanumérico.
- Se reconocen hasta 648 carpetas y archivos (combinados) y hasta 299 carpetas; sin embargo, algunas carpetas y archivos pueden no ser reconocidos según la estructura de sus directorios.
- Dependiendo de las condiciones de grabación, tales como el ajuste del software de grabación, esta unidad tal vez no pueda reproducir el disco o archivos en el orden en que fueron grabados.
- Esta unidad es compatible con una frecuencia de muestreo de 44,1 kHz.
- Esta unidad es compatible con velocidades en bits de 32, 40, 48, 56, 64, 80, 96, 112, 128, 160, 192, 224, 256, o 320 kbps. No es compatible con velocidad en bits variable.
- El disco debe ser compatible con ISO9660.
- Los datos de texto de los archivos no se visualizan en esta unidad.

WMA

WMA (Windows Media Audio) es un formato de archivo de Microsoft para codificar archivos de audio digital similar a MP3, aunque WMA puede comprimir archivos a una velocidad superior a MP3.

Notas

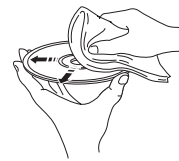
- Esta unidad reproduce archivos WMA en orden alfanumérico.
- Se reconocen hasta 648 carpetas y archivos (combinados) y hasta 299 carpetas; sin embargo, algunas carpetas y archivos pueden no ser reconocidos según la estructura de sus directorios.
- Esta unidad es compatible con una frecuencia de muestreo de 44,1 kHz.
- Esta unidad es compatible con velocidades en bits de 48, 64, 80, 96, 128, 160, o 192 kbps. No es compatible con velocidad en bits variable.
- El disco debe ser compatible con ISO9660.
- Los archivos WMA protegidos por copyright no se pueden reproducir con esta unidad.
- Los datos de texto de los archivos no se visualizan en esta unidad.

■ Manejo de discos compactos

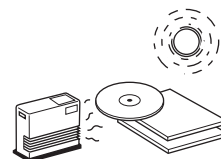
- Maneje siempre los discos con cuidado para no rayar sus superficies.



- Los discos compactos raramente se desgastan durante la reproducción, pero los daños en las superficies causados al manejarlos disco pueden afectar a la reproducción de los mismos.
- Asegúrese de usar un marcador de fieltro o algo similar cuando escriba en el lado de la etiqueta de un disco. No use bolígrafos, lapiceros u otros utensilios de escritura duros porque podrá dañar el disco y afectar a su reproducción.
- No deforme los discos.
- Cuando no esté usando un disco, retírelo de la unidad y guárdelo en una caja apropiada.
- Cuando retire o guarde un disco, tenga cuidado para no rayar la superficie de reproducción.
- A los discos compactos no les afectan las partículas pequeñas de polvo ni las huellas dactilares en su superficie de reproducción, a pesar de ello deberán mantenerse limpios. Limpie la superficie del disco con un paño limpio y seco. No limpie la superficie del disco con un movimiento circular; mueva el paño en línea recta del exterior hacia el centro.



- No intente limpiar la superficie del disco con ningún tipo de limpiador de discos, aerosoles de discos de vinilo, aerosoles o líquidos antiestáticos o cualquier otro líquido con base química porque la superficie del disco podría dañarse irreparablemente.
- No exponga los discos a la luz solar directa, alta temperatura o alta humedad durante mucho tiempo porque estas condiciones podrían deformar o dañar el disco.



- Para reproducir un disco compacto de 8 cm, póngalo en el hueco interior de la bandeja del disco. No ponga un CD normal de 12 cm encima de un CD de 8 cm.

Solución de problemas

Consulte la tabla de abajo si esta unidad no funciona correctamente. Si el problema que usted tiene no está en la lista de abajo o las instrucciones no siguientes no sirven de ayuda, apague esta unidad, desconecte el cable de alimentación y póngase en contacto con el centro de servicio o concesionario Yamaha autorizado más cercano.

Problema	Causa	Remedio	Vea la página
La unidad no se enciende cuando se pulsa POWER hacia arriba.	No se ha enchufado el cable de corriente o está mal conectado.	Enchufe bien el cable de corriente.	16
No se cierra completamente la bandeja.	Hay materias extrañas atrapadas en la bandeja.	Inspeccione la bandeja del disco y limpie las materias extrañas.	—
No comienza a reproducir.	El disco está dañado.	Inspeccione cuidadosamente el disco; coloque otro si está dañado.	—
	Hay humedad condensada en el lector de rayos láser.	Espere 20 a 30 minutos después de conectar el aparato antes de reproducir el disco.	—
	Se ha colocado el disco al revés.	Vuelva a colocar el disco con la etiqueta hacia arriba.	—
	El disco está sucio.	Limpie el disco.	—
	Los formatos MP3 o WMA no son compatibles con esta unidad.	El disco es un disco no normal, que no puede reproducirse en este aparato.	20
	El disco CD-RW (regrabable) no está bien grabado.	El disco es un disco no normal, que no puede reproducirse en este aparato.	—
	Cambie el disco por otro disco grabado correctamente y que pueda reproducirse en este aparato.	El disco es un disco no normal, que no puede reproducirse en este aparato.	—
Hay un retraso en la reproducción o comienza en otro lugar.	El disco puede estar rayado o dañado.	Inspeccione cuidadosamente el disco; coloque otro si está dañado.	—
No se escucha ningún sonido.	Las conexiones de los cables de salida están mal.	Conecte correctamente los cables. Si sigue habiendo problemas, los cables están en mal estado.	14
	El amplificador funciona mal.	Coloque los controles del amplificador en la posición de entrada correcta.	—
El sonido “salta”.	Esta unidad recibe vibraciones o impactos.	Coloque este aparato en otro lugar.	—
	El disco está sucio.	Limpie el disco.	—
El sonido tiene “zumbido”.	Las conexiones de los cables están mal.	Conecte firmemente los cables de audio. Si sigue habiendo problemas, los cables están en mal estado.	14
Interferencias de un sintonizador en las cercanías.	El sintonizador está demasiado cerca de este aparato.	Separe el sintonizador y este aparato.	—
Ruidos desde la bandeja.	El disco puede estar doblado.	Cambie el disco.	—
El control remoto no transmite bien las señales	Las pilas del control remoto están con poca carga.	Cambie las pilas por nuevas.	12
	El control remoto está demasiado alejado o se inclina demasiado.	Use a una distancia máxima de 6 m y dentro de un radio de 60°.	12
	El detector del control remoto de este aparato recibe los rayos del sol o una luz intensa (de una lámpara fluorescente concentrada, etc.).	Cambie la posición de esta unidad.	12

Yamaha stond aan de wieg van HiFi

Yamaha's betrokkenheid bij en passie voor muziek begon meer dan een eeuw geleden, toen wij in 1887 ons eerste orgel bouwden. Heden ten dage zijn we de meest toonaangevende producent van piano's en andere muziekinstrumenten ter wereld en zijn we op allerlei andere manieren betrokken bij de wondere wereld van de muziek. Wij fabriceren professionele opname-apparatuur, we ontwerpen concertzalen en we helpen artiesten bij concerten met hun voorbereidingen en de geluidsinstellingen.

Deze kennis en ervaring komen op allerlei manieren ten goede aan onze productie van audiocomponenten. In 1954 brachten wij onze eerste HiFi (High Fidelity) draaitafel op de markt. Daarna waren wij één van de eersten die audio-apparatuur van hoge kwaliteit als serieproduct aanboden en hebben we menig legendarisch stereocomponent vervaardigd.

We hopen dat u zult genieten van de echte Yamaha Natural Sound HiFi ervaring.



Uitblinkers in audio

1920-
1960s

Eerste HiFi systeem geïntroduceerd in 1920

In de periode 1955-1965 brachten wij een groot aantal HiFi componenten op de markt (draaitafels, FM/AM tuners, geïntegreerde versterkers, voorversterkers, eindversterkers en luidsprekers).



NS-20



CA-1000

Natural Sound Speaker serie geïntroduceerd in 1967

NS-20 Monitor luidspreker



NS-690



NS-1000M

1970s

CA-1000 Geïntegreerde versterker

Met een eerste klas bediening en vormde de CA-1000 de standaard waaraan andere geïntegreerde versterkers werden afgemeten.

NS-690 Monitor luidspreker

NS-1000M Monitor luidspreker

Een waarlijk legendarische luidspreker die nog hoog staat aangeschreven bij HiFi enthousiasten.



B-1



C-2

B-1 Eindversterker

Een innovatieve eindversterker die in alle trappen gebruik maakte van FET's.

C-2 Regelversterker

Kreeg de hoogste prijs op de Internationale Muziek en HiFi tentoonstelling te Milaan



PX-2



NS-10M

NS-10M Studio Monitor luidspreker

Werd één van de populairste studiomonitors in de wereld.

A-1 Geïntegreerde versterker

PX-2 Draaitafel

Yamaha's eerste draaitafel met rechte arm.



B-6



A-1

1980s

B-6 Eindversterker

Piramidevormige eindversterker.

GT-2000/L Draaitafel

Eerste CD-speler (CD-1) geïntroduceerd in 1983

B-2x Eindversterker

**MX-10000 Eindversterker en
CX-10000 Regelversterker**

Herdefinieerden de mogelijkheden van gescheiden componenten.



MX-10000



B-2x



CX-10000

1990s

GT-CD1 CD-speler

**MX-1 Eindversterker en
CX-1 voorversterker**



Soavo-1



Soavo-2

2000s

Soavo-1 en Soavo-2 Natural Sound luidsprekersystemen

**A-S2000 Stereoversterker en
CD-S2000 Super Audio CD-speler**

CD-S2000

- ◆ *Gebalanceerde signaaloverdracht in alle trappen voor de ultieme CD-weergavekwaliteit*
- ◆ *Gebalanceerde signaaloverdracht in alle trappen, te beginnen bij de DAC*
- ◆ *CD-station met stille lader en hoge nauwkeurigheid*
- ◆ *Onafhankelijke stroomvoorzieningen, met volledige scheiding van de digitale en analoge stroomkringen*
- ◆ *Pure Direct*
- ◆ *Links-rechts symmetrisch ontwerp met rigide, stabiele constructie*
- ◆ *Superweergave van Super Audio CD's*

■ Meegeleverde accessoires

Controleer of u alle volgende onderdelen inderdaad ontvangen hebt.

- Netsnoer
- Afstandsbediening
- Batterijen (AA, R6, UM-3) (×2)
- Audio-penstekkerkabel
- Veiligheidsbrochure

Inhoudsopgave

Bedieningsorganen en functies.....	6
Aansluitingen.....	14
Technische gegevens.....	18
Geschikte discsoorten.....	19
Oplossen van problemen.....	21

■ Over deze handleiding

- ☼ geeft een bedieningstip aan.
- Deze handleiding is gedrukt voor uw toestel geproduceerd werd. Daarom kunnen ontwerp en specificaties gewijzigd zijn als gevolg van verbeteringen enz. Als de handleiding en het product van elkaar verschillen, heeft het product de prioriteit.
- De kleuren op de afbeeldingen in deze handleiding kunnen afwijken van de oorspronkelijke kleuren.
- Lees de veiligheidsbrochure voor u dit toestel gaat gebruiken.

CD-S2000

Bedieningsorganen en functies

In dit hoofdstuk leert u de bedieningsorganen van uw CD-S2000 beter kennen.

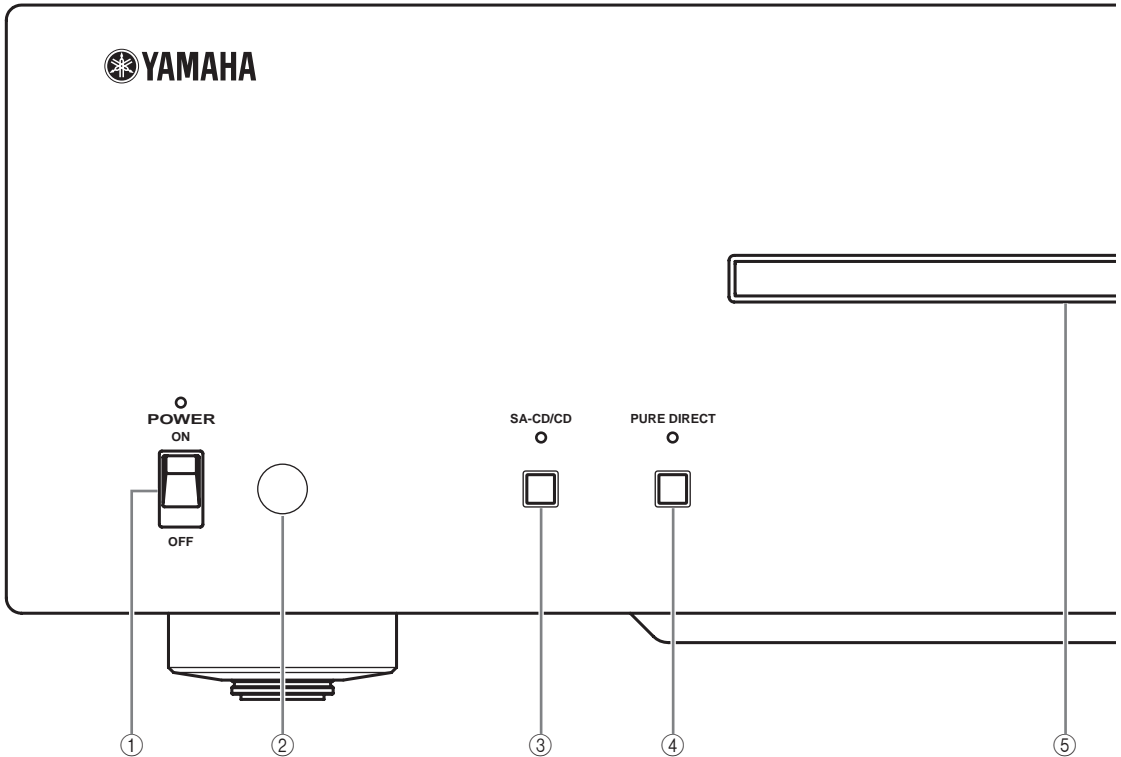
POWER
ON



OFF



■ Voorpaneel



① POWER

Druk naar boven of naar beneden om dit toestel aan of uit te zetten.



De POWER indicator erboven zal oplichten wanneer het toestel aan staat.

② Sensor voor de afstandsbediening

Deze ontvangt de signalen van de afstandsbediening.

③ SA-CD/CD

Schakelt heen en weer tussen de SA-CD en CD lagen van een hybride SA-CD.



- De SA-CD/CD indicator erboven zal oplichten wanneer de SA-CD laag is geselecteerd.
- Deze instelling wordt ook bewaard wanneer u dit toestel uit zet.

④ PURE DIRECT

Schakelt de PURE DIRECT weergavefunctie in om de geluidskwaliteit te verbeteren.

Wanneer dit toestel in de PURE DIRECT weergavefunctie staat:

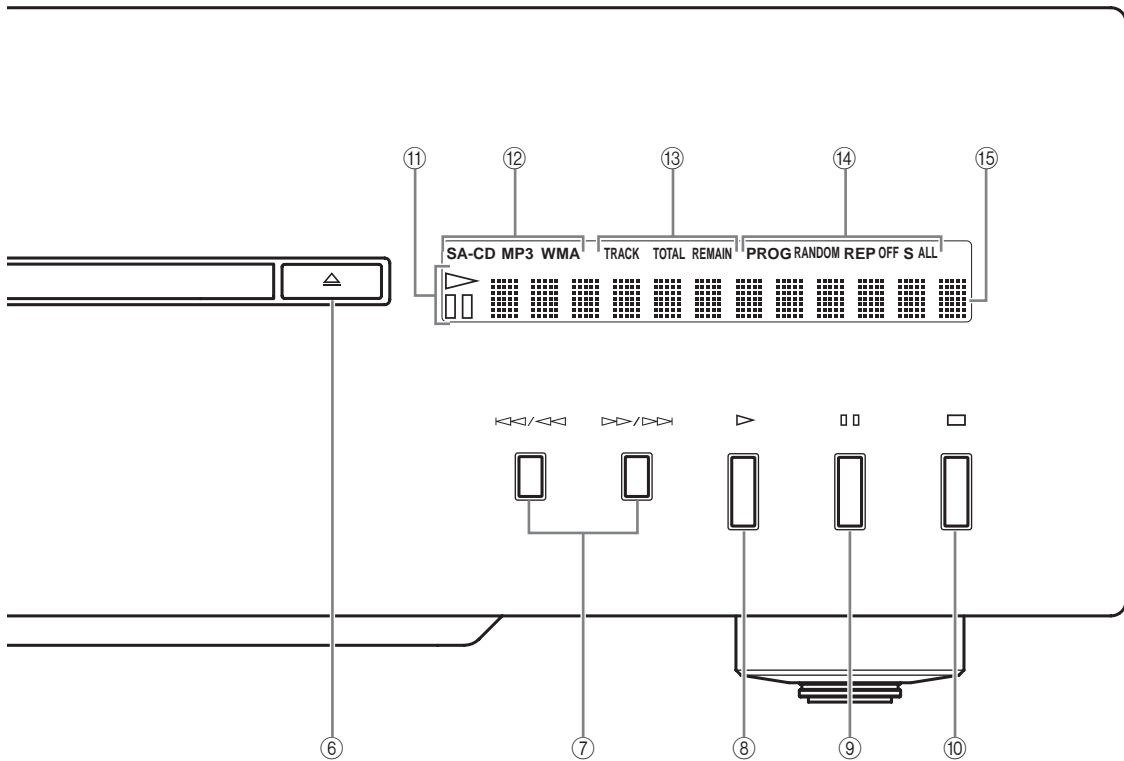
- De PURE DIRECT indicator boven de toets licht op.
- De productie van digitale uitgangssignalen wordt uitgeschakeld.
- Het display op het voorpaneel wordt uitgeschakeld.



- Er worden zo min mogelijk indicators en meldingen getoond op het display op het voorpaneel.
- Druk nog eens op deze toets om de PURE DIRECT weergavefunctie uit te schakelen.
- Deze instelling wordt ook bewaard wanneer u dit toestel uit zet.

⑤ Disclade

Hiermee kunt u een disc in het toestel doen.



⑥ (Open/Dicht)

Hiermee opent en sluit u de disclade.



U kunt de disclade ook sluiten door:

- op het voorpaneel of op de afstandsbediening op (Weergave) te drukken, of door voorzichtig tegen de voorrand van de disclade zelf aan te drukken.
- door op de afstandsbediening op een cijfertoets te drukken.

⑦ (Overslaan/Terug zoeken),

(Overslaan/Vooruit zoeken)

: Naar het volgende fragment springen.

: Terug springen naar het begin van het huidige fragment.

(twee keer): Terug springen naar het vorige fragment.

Houd of ingedrukt om terug/vooruit te zoeken.



Telkens wanneer u of ingedrukt houdt, zal de zoeksnelheid met 4 niveaus toenemen.

⑧ (Weergave)

Hiermee begint u de weergave.

⑨ (Pauze)

Hiermee pauzeert u de weergave. Druk op of om de weergave te hervatten.

⑩ (Stop)

Hiermee stopt u de weergave.

⑪ Weergave status indicator

⑫ Disctype indicator

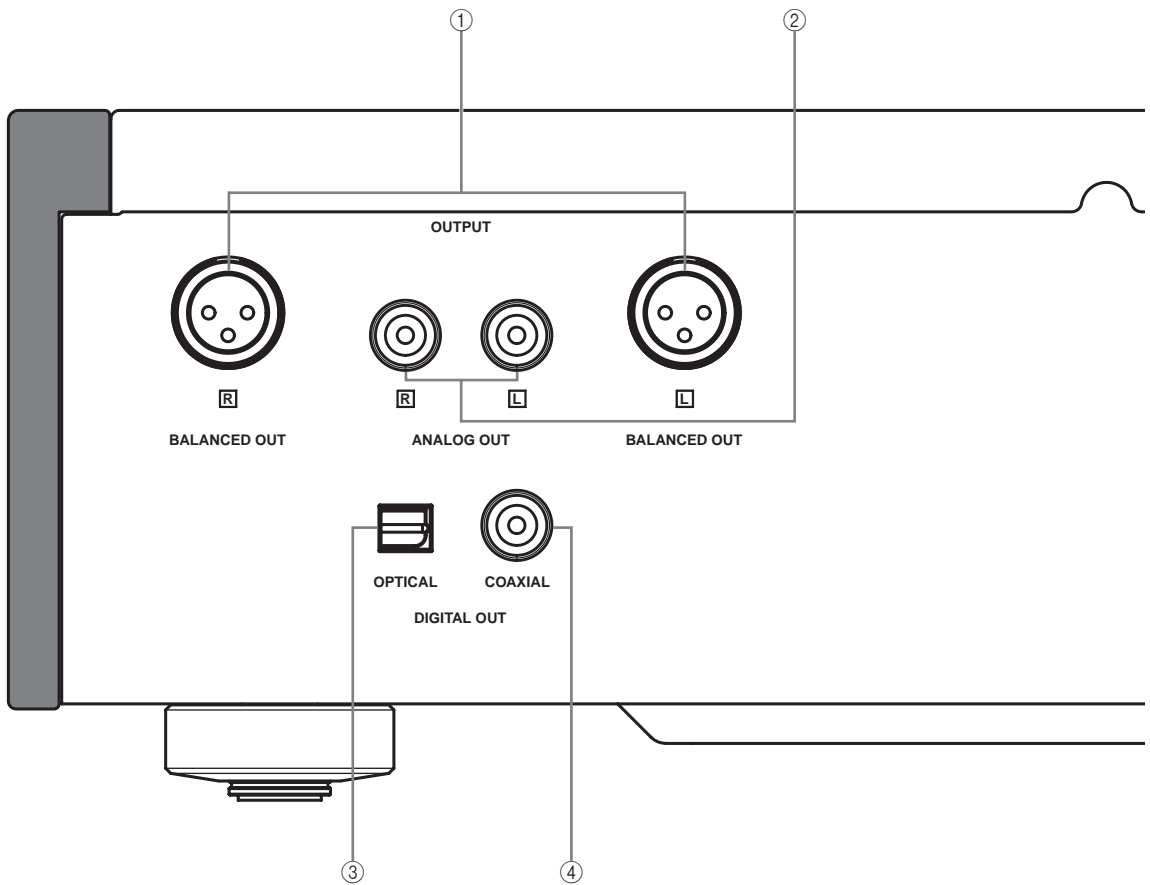
⑬ Tijddisplay weergave indicator

⑭ Weergavefunctie indicator

⑮ Multifunctioneel display

Zie de bladzijden 20 voor meer informatie over MP3/WMA weergave.

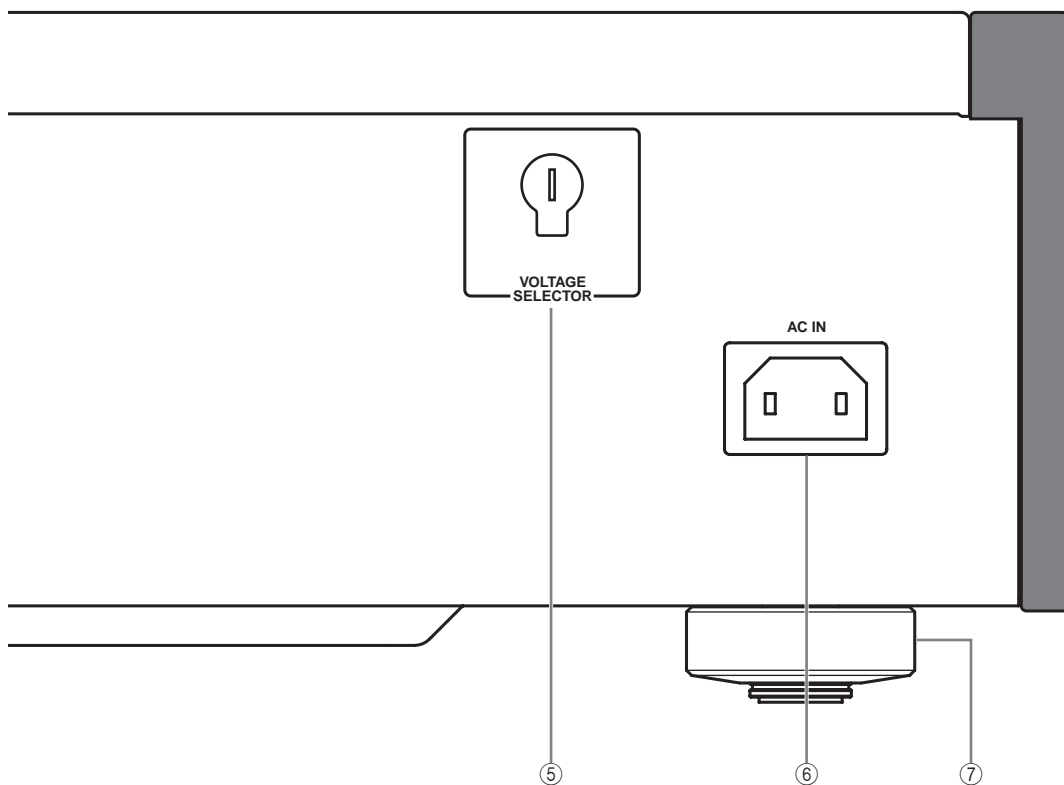
■ **Achterpaneel**



Zie bladzijde 14 voor meer informatie over deze aansluitingen.

- ① **BALANCED OUT** aansluitingen
- ② **ANALOG OUT** aansluitingen
- ③ **OPTICAL DIGITAL OUT** aansluiting
- ④ **COAXIAL DIGITAL OUT** aansluiting

(Modellen voor Azië en Algemene modellen)



⑤ **VOLTAGE SELECTOR**
(Alleen modellen voor Azië en algemene modellen)

De VOLTAGE SELECTOR op het achterpaneel van dit toestel moet worden ingesteld op de bij u ter plaatse gangbare netspanning VOOR u de stekker in het stopcontact doet.

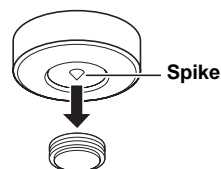
Zie bladzijde 16 voor meer informatie.

⑥ **AC IN**

Gebruik deze aansluiting voor het meegeleverde netsnoer. Zie bladzijde 16 voor meer informatie over deze aansluitingen.

⑦ **Voetje**

De voetjes van dit toestel bevatten ingebouwde spikes. Gebruik van deze spikes kan het effect van trillingen op het toestel verminderen. Wanneer u de spikes wilt gebruiken, dient u de magnetische voetjes te verwijderen door deze los te trekken.



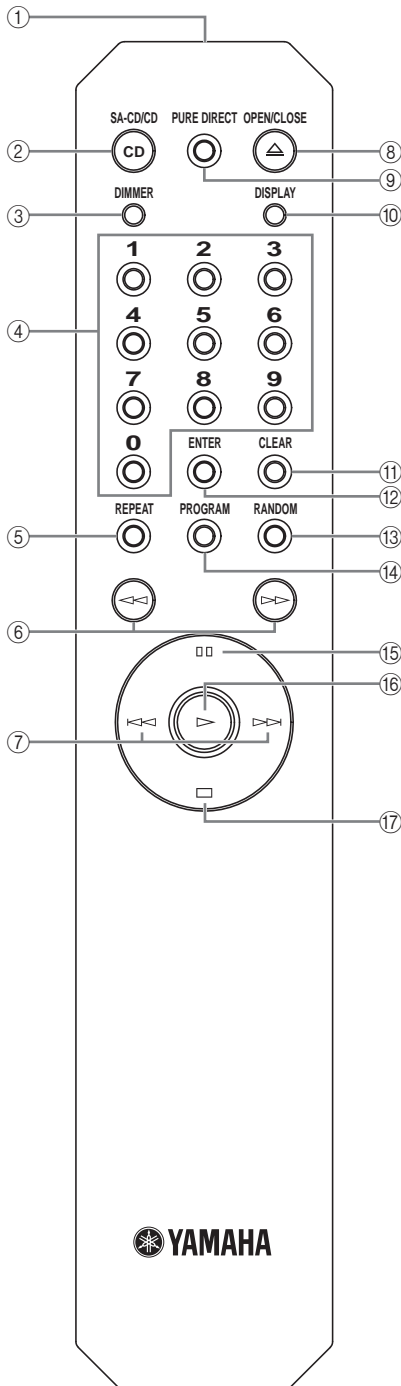
Let op

Bij gebruik van de in de voetjes ingebouwde spikes moet u er wel op letten dat deze de ondergrond waarop het toestel is geplaatst kunnen beschadigen. Gebruik de magnetische voetjes wanneer u dit toestel op dure meubelen enz. wilt zetten.



Als dit toestel niet recht staat of wiebelt, kunt u de voetjes verstellen door ze te verdraaien.

■ Afstandsbediening



① Infraroodzender

Zendt infraroodsignalen naar het toestel.

② SA-CD/CD

Schakelt heen en weer tussen de SA-CD en CD lagen van een hybride SA-CD.



- De SA-CD/CD indicator op het voorpaneel zal oplichten wanneer de SA-CD laag is geselecteerd.
- Deze instelling wordt ook bewaard wanneer u dit toestel uit zet.

③ DIMMER

Stelt het helderheidsniveau in voor het display op het voorpaneel. Met elke druk op DIMMER zal het helderheidsniveau als volgt veranderen:

Max (lichtst) → Level 1 (standaardinstelling) → Level 2 → Level 3 (donkerst) → Max



Deze instelling wordt ook bewaard wanneer u dit toestel uit zet.

④ Cijfertoetsen

Hiermee kunt u direct een fragment selecteren.

Opmerking

Deze handeling werkt niet met MP3 of WMA discs.

⑤ REPEAT

Herhaalt de weergave van een enkel fragment of van alle fragmenten. Met elke druk op REPEAT tijdens weergave zal de herhaalde weergavefunctie als volgt veranderen:

- REP S (herhalen enkel fragment): Wanneer het einde van het huidige fragment wordt bereikt, zal de weergave weer opnieuw beginnen vanaf het begin van hetzelfde fragment.
- REP ALL (herhalen alle fragmenten): Wanneer het einde van het laatste fragment wordt bereikt, zal de weergave weer opnieuw beginnen vanaf het begin van het eerste fragment.

Opmerking

Deze handeling werkt niet met MP3 of WMA discs.

⑥ ⏮ (Terug zoeken), ⏭ (Vooruit zoeken)

Zoekt terug/voortuit naar het gewenste stuk in een fragment.



Met elke druk op ⏮ of ⏭, wordt de zoeksnelheid met 4 niveaus verhoogd.

⑦ ⏮ (Terug overslaan), ⏭ (Vooruit overslaan)

⏭ : Naar het volgende fragment springen.

⏮ : Terug springen naar het begin van het huidige fragment.

⏮ (twee keer): Terug springen naar het vorige fragment.

⑧ OPEN/CLOSE

Hiermee opent en sluit u de disclade.

⑨ PURE DIRECT

Schakelt de PURE DIRECT weergavefunctie in om de geluidskwaliteit te verbeteren.

Wanneer dit toestel in de PURE DIRECT weergavefunctie staat:

- De PURE DIRECT indicator boven de toets licht op.
- De productie van digitale uitgangssignalen wordt uitgeschakeld.
- Het display op het voorpaneel wordt uitgeschakeld.



- Er worden zo min mogelijk indicators en meldingen getoond op het display op het voorpaneel.
- Deze instelling wordt ook bewaard wanneer u dit toestel uit zet.

⑩ DISPLAY

Schakelt de weergave van de tijd om. Met elke druk op DISPLAY tijdens weergave zal het tijddisplay als volgt veranderen:

- Verstreken tijd huidige fragment (standaardinstelling). De TRACK indicator zal oplichten op het display op het voorpaneel.
- Resterende weergavetijd van het huidige fragment. De TRACK en REMAIN indicators zullen oplichten op het display op het voorpaneel.
- Totale resterende tijd voor de disc. De TOTAL en REMAIN indicators zullen oplichten op het display op het voorpaneel.

⑪ CLEAR

Hiermee kunt u het laatst geprogrammeerde fragment wissen wanneer u een programma aan het samenstellen bent. Zie "Geprogrammeerde weergave" elders op deze bladzijde.



U kunt hiermee alle geprogrammeerde fragmenten wissen wanneer de weergave is gestopt.

⑫ ENTER

Hiermee bevestigt u het ingevoerde fragmentnummer wanneer u fragmenten aan het programmeren bent.

⑬ RANDOM

Hiermee zet u de willekeurige weergavefunctie aan of uit.



Opmerkingen

- Deze handeling werkt niet met MP3 of WMA discs.
- De willekeurige weergavefunctie wordt geannuleerd wanneer de weergave wordt gestopt of wanneer de disc wordt uitgeworpen.

⑭ PROGRAM

Hiermee zet u de geprogrammeerde weergavefunctie aan of uit. Zie "Geprogrammeerde weergave" elders op deze bladzijde.

⑮ (Pauze)

Hiermee pauzeert u de weergave. Druk op  of  om de weergave te hervatten.

⑯ (Weergave)

Hiermee begint u de weergave.

⑰ (Stop)

Hiermee stopt u de weergave.

Zie de bladzijden 20 voor meer informatie over MP3/WMA weergave.

■ Geprogrammeerde weergave

In de geprogrammeerde weergavefunctie kunt u fragmenten in een door u bepaalde volgorde laten weergeven.

Opmerkingen

- Deze handeling werkt niet met MP3 of WMA discs.
- De het programma met de nieuwe volgorde van de fragmenten zal worden gewist wanneer de disc wordt uitgeworpen of wanneer dit toestel wordt uitgeschakeld.

1 Druk op PROGRAM terwijl de weergave gestopt is.

Dit toestel gaat in de bewerkingsfunctie voor het programma.

2 Selecteer een fragment met behulp van de cijfertoetsen en ENTER.

3 Herhaal stap 2 om het volgende fragment te programmeren.

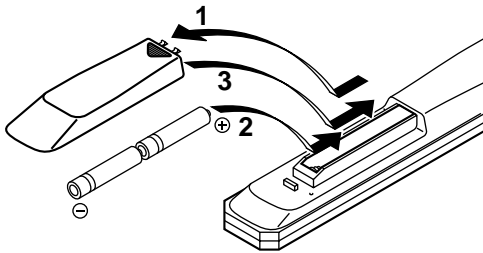
U kunt maximaal 24 fragmenten programmeren.

4 Druk op .

De weergave zal beginnen vanaf het begin van de geprogrammeerde reeks.

Bedieningsorganen en functies

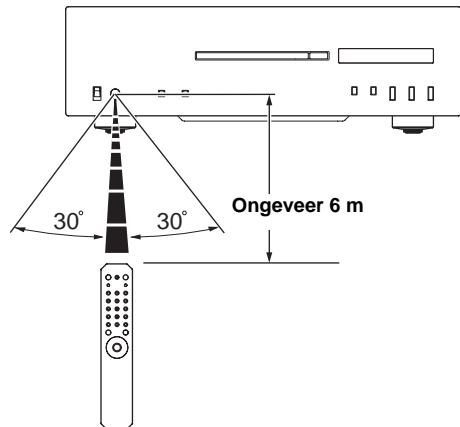
■ Inzetten van batterijen in de afstandsbediening



- 1 Druk op het met ▼ gemarkeerde deel en schuif de klep van het batterijvak.
- 2 Doe de twee meegeleverde batterijen (AA, R6, UM-3) in het vak met de polen (+ en -) de goede kant op zoals aangegeven in het batterijvak.
- 3 Schuif de klep terug tot deze op zijn plaats vastklikt.

■ Gebruiken van de afstandsbediening

De afstandsbediening zendt een gerichte infraroodstraal uit. Richt de afstandsbediening op de sensor op het voorpaneel van dit toestel wanneer u dit toestel wilt bedienen.





CD-S2000 Aansluitingen

In dit gedeelte zult u de verbindingen maken tussen uw CD-S2000 en uw versterker.

OUT

□ L

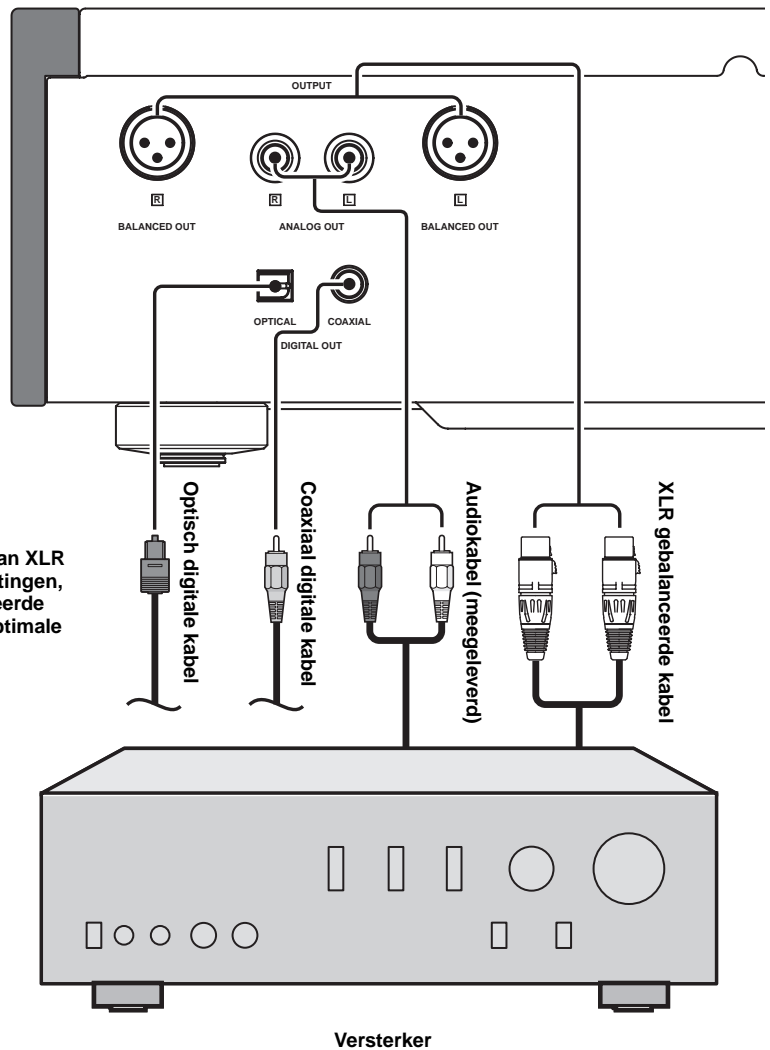
□ L

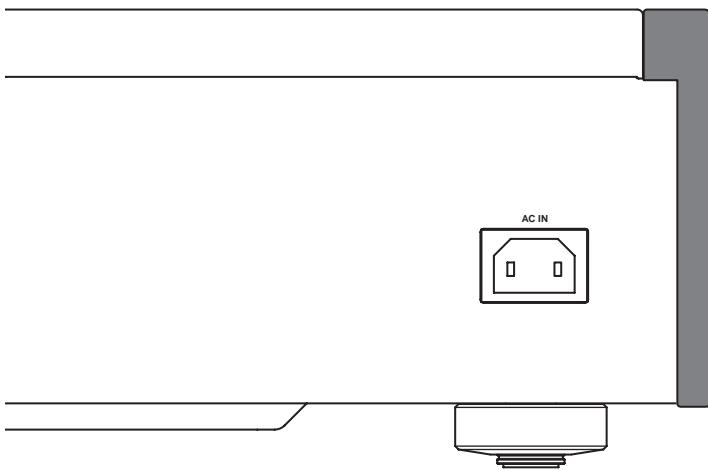
ING OUT

BALANCED OUT

COAXIAL

Selecteer één van deze
verbindingsmethoden.
Als uw versterker voorzien is van XLR
gebalanceerde ingangsaansluitingen,
raden we u aan de gebalanceerde
verbindingen te maken voor optimale
audioprestaties.

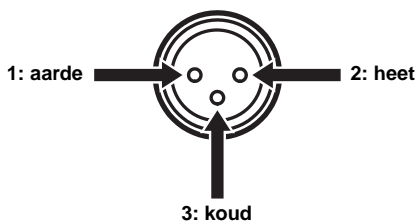




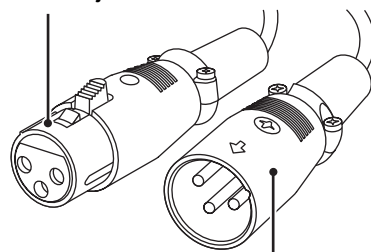
■ Verbindingen met de BALANCED OUT aansluitingen

Sluit uw versterker aan via de XLR gebalanceerde uitgangsaansluitingen. De pen-toewijzingen voor deze aansluitingen worden hieronder gegeven. Raadpleeg tevens de handleiding van de versterker in kwestie om te controleren of de XLR gebalanceerde uitgangsaansluitingen geschikt zijn voor de pen-toewijzingen.

Let er bij het aansluiten op dat u de pennen en de gaatjes netjes in elkaar past en dat u de "vrouwelijke" stekker van de XLR gebalanceerde kabel correct in de andere stekker steekt. Op dezelfde manier dient u bij het loskoppelen de "vrouwelijke" stekker van de XLR gebalanceerde kabel los te trekken terwijl u de vergrendeling op de stekker ingedrukt houdt.



"Vrouwelijke" XLR stekker



"Mannelijke" XLR stekker

■ **VOLTAGE SELECTOR**
(Alleen modellen voor Azië en algemene modellen)

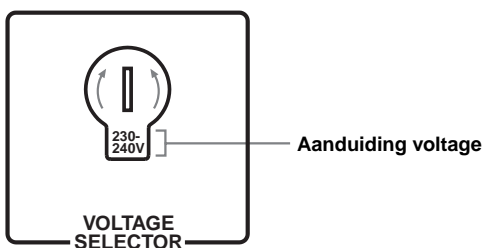
Let op

De VOLTAGE SELECTOR op het achterpaneel van dit toestel moet worden ingesteld op de ter plekke gebruikte netspanning VOOR u de stekker in het stopcontact steekt. Onjuiste instelling van de VOLTAGE SELECTOR kan dit toestel beschadigen en kan brandgevaar opleveren.

Draai de VOLTAGE SELECTOR met de klok mee of er tegenin naar de correcte stand met een gewone schroevendraaier.

De mogelijke voltages zijn als volgt:

..... 110/120/220/230-240 V, 50/60 Hz wisselstroom



■ **Aansluiten van de stroomvoorziening**

Doe het netsnoer pas in de AC IN aansluiting wanneer alle verbindingen gemaakt zijn en doe dan pas de stekker in het stopcontact.



CD-S2000 **Technische gegevens**

In dit gedeelte treft u de technische gegevens voor de CD-S2000 aan.

AUDIO GEDEELTE

- Frequentierespons
 - SA-CD 2 Hz t/m 50 kHz (-3 dB)
 - CD 2 Hz t/m 20 kHz
- Totale harmonische vervorming
 - SA-CD 0,0017% of minder
 - CD 0,002% of minder
- Signaal-ruis verhouding (IHF-A netwerk) 116 dB of meer
- Dynamisch bereik
 - SA-CD 110 dB of meer
 - CD 100 dB of meer
- Uitgangsniveau (1 kHz, 0 dB) $2,0 \pm 0,3$ V

EIGENSCHAPPEN LASERDIODE

- Type
 - SA-CD Halfgeleider laser (AlGaInP)
 - CD Halfgeleider laser (AlGaAs)
- Golfengte
 - SA-CD 650 nm
 - CD 780 nm
- Uitgangsvermogen
 - SA-CD 5 mW (max)
 - CD 7 mW (max)

ALGEMEEN

- Stroomvoorziening
 - [Modellen voor de V.S. en Canada] 120 V, 60 Hz wisselstroom
 - [Modellen voor Azië en Algemene modellen]
 - 110/120/220/230-240 V, 50/60 Hz wisselstroom
 - [Modellen voor China] 220 V, 50 Hz wisselstroom
 - [Modellen voor Korea] 220 V, 60 Hz wisselstroom
 - [Modellen voor Australië] 240 V, 50 Hz wisselstroom
 - [Modellen voor het V.K. en Europa] 230 V, 50 Hz wisselstroom
 - Stroomverbruik 30 W
 - Stroomverbruik, uitgeschakeld 0 W
 - Afmetingen (b x h x d) 435 x 137 x 440 mm
 - Gewicht 15 kg
- * Technische gegevens kunnen zonder kennisgeving gewijzigd worden.

Goed zorgen voor uw toestel

Gebruik geen chemische oplosmiddelen (bijv. alcohol of verfverdunder enz.) wanneer u dit toestel schoonmaakt; deze kunnen de afwerking aantasten. Gebruik een schone, droge doek. Voor hardnekkig vuil kunt u een zachte doek vochtig maken met verdund afwasmiddel ('sopje') en het toestel vervolgens afnemen met de aldus bevochtigde doek.

De schroeven van de zijpanelen kunnen na verloop van tijd los gaan zitten omdat het hout kan gaan 'werken' (uitzetten en krimpen). Draai in een dergelijk geval de schroeven weer aan.

■ Ondersteunde discsoorten

Dit toestel is ontworpen om compact discs met de hieronder vermelde logo's weer te kunnen geven. Probeer in geen geval andere soorten discs in dit toestel te doen. Dit toestel kan ook 8-cm CD's (CD-singles) weergeven.

Super Audio CD

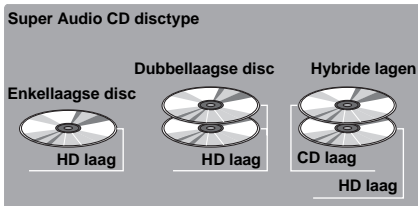


SUPERAUDIO CD

Een audioformaat dat gebaseerd is op de huidige CD standaarden, maar dat een grotere hoeveelheid gegevens bevat en daardoor een hogere geluidskwaliteit levert. Er zijn drie soorten discs: enkellaags, dubbellaags en hybride discs. Een hybride disc kan zowel op bestaande CD-spelers als op Super Audio spelers worden weergegeven omdat er zowel standaard Audio-CD als Super Audio CD gegevens op staan.

Opmerking

Dit toestel geeft geen tekstgegevens weer op het display op het voorpaneel.



Compact discs (digitale audio)



De meest populaire discs voor commercieel verkrijgbare audiodiscs.

CD-R, CD-RW digitale audiodiscs



Muziek CD's gemaakt door te kopiëren naar een CD-R of CD-RW (inclusief MP3 of WMA bestanden).

Opmerkingen

- Gebruik een CD-R of CD-RW van een betrouwbare fabrikant.
- Gebruik een CD-R of CD-RW die op zijn minst één van de volgende vermeldingen heeft op de disc zelf of op de verpakking.
 - FOR CONSUMER
 - FOR CONSUMER USE
 - FOR MUSIC USE ONLY
- Gebruik een correct afgesloten CD-R of CD-RW.

CD-TEXT discs



Discs waarop ook tekstgegevens zijn opgenomen, zoals albumtitels, songtitels en namen van artiesten. Deze discs kunnen gewoon worden afgespeeld met normaal CD-spelers.

Opmerking

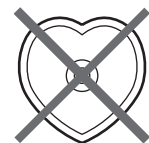
Dit toestel geeft geen tekstgegevens weer op het display op het voorpaneel.

OPMERKING:

Het is mogelijk dat dit toestel bepaalde, niet helemaal correct opgenomen CD-RW's niet zal kunnen afspelen.

Voorkomen van storingen aan het toestel:

- Gebruik geen discs met afwijkende vormen (hartvormig enz.) die in de handel verkrijgbaar zijn, want deze kunnen dit toestel beschadigen.
- Gebruik geen discs met plakband, stickers of lijm erop. Dergelijke discs kan vast komen te zitten in het toestel of op een andere manier het toestel beschadigen.



■ Over MP3 en WMA discs

U kunt MP3 en WMA bestanden die zijn opgenomen op een CD-R of CD-RW op ongeveer dezelfde manier laten weergeven als een muziek-CD.

MP3

MP3 (MPEG-1 Audio Layer-3) is een standaard technologie en bestandsindeling voor het comprimeren van geluidssignalen tot kleine bestanden. Bij weergave blijft echter de oorspronkelijke geluidskwaliteit vrijwel geheel bewaard.

Opmerkingen

- Dit toestel is in staat MP3 bestanden op alfanumerieke volgorde weer te geven.
- Er kunnen maximaal 648 mappen en bestanden (gecombineerd) en maximaal 299 mappen worden herkend; afhankelijk van de mappenstructuur is het echter mogelijk dat bepaalde mappen en bestanden niet zullen worden herkend.
- Afhankelijk van opname-omstandigheden, zoals instellingen van de gebruikte opnamesoftware, is het mogelijk dat dit toestel niet in staat is de disc of bepaalde bestanden weer te geven in de volgorde waarin ze zijn opgenomen.
- Dit toestel is geschikt voor een bemonsteringsfrequentie van 44,1 kHz.
- Dit toestel is geschikt voor bitsnelheden van 32, 40, 48, 56, 64, 80, 96, 112, 128, 160, 192, 224, 256, en 320 kbps. Er wordt geen ondersteuning geboden voor variabele bitsnelheden.
- De disc moet ISO9660 compatibel zijn.
- De tekstgegevens in de bestanden worden niet op dit toestel weergegeven.

WMA

WMA (Windows Media Audio) is een bestandsindeling van Microsoft voor het coderen van digitale audio die vergelijkbaar is met MP3, alhoewel WMA bestanden meer kan comprimeren dan MP3.

Opmerkingen

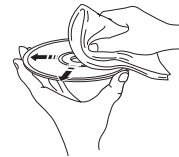
- Dit toestel is in staat WMA bestanden op alfanumerieke volgorde weer te geven.
- Er kunnen maximaal 648 mappen en bestanden (gecombineerd) en maximaal 299 mappen worden herkend; afhankelijk van de mappenstructuur is het echter mogelijk dat bepaalde mappen en bestanden niet zullen worden herkend.
- Dit toestel is geschikt voor een bemonsteringsfrequentie van 44,1 kHz.
- Dit toestel is geschikt voor bitsnelheden van 48, 64, 80, 96, 128, 160, en 192 kbps. Er wordt geen ondersteuning geboden voor variabele bitsnelheden.
- De disc moet ISO9660 compatibel zijn.
- WMA bestanden die zijn voorzien van een auteursrechtelijke beveiliging kunnen niet worden weergegeven met dit toestel.
- De tekstgegevens in de bestanden worden niet op dit toestel weergegeven.

■ Omgaan met compact discs

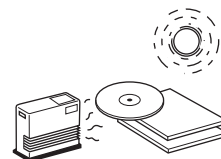
- Ga altijd zorgvuldig met uw discs om zodat er geen krassen op het oppervlak komen.



- Compact discs verslijten vrijwel niet van het afspelen, maar beschadigingen op het oppervlak die ontstaan door het omgaan met de disc kunnen negatieve gevolgen hebben voor de weergave.
- Gebruik een viltstift of iets dergelijks wanneer u iets op de labelkant van de disc wilt schrijven. Gebruik in geen geval een balpen, potlood of ander instrument met een harde punt, want hierdoor kan de disc beschadigd raken, hetgeen negatieve gevolgen kan hebben voor de weergave.
- Zorg ervoor dat de discs niet vervormd raken.
- Wanneer u klaar bent met een disc, haal deze dan uit het toestel en bewaar hem in een daarvoor geschikte verpakking.
- Wees voorzichtig dat u het oppervlak met de opnamen niet bekrast wanneer u een disc uit het toestel haalt of opbergt.
- Compact discs hebben geen last van kleine stofjes of lichte vingerafdrukken op het oppervlak met de opnamen, maar u moet ze toch proberen netjes schoon te houden. Veeg het oppervlak van de disc af met een schone, droge doek. Veeg niet in rondgaande bewegingen over het oppervlak van de disc; veeg recht van het midden naar de rand.



- Probeer in geen geval het discoppervlak te reinigen met een of andere discreiniger, platenspray, antistatische spray of vloeistof, of met enig ander chemisch middel, want hierdoor kan het discoppervlak onherstelbaar beschadigd worden.
- Stel discs niet te lang bloot aan direct zonlicht, hoge temperaturen of hoge vochtigheid, want door deze omstandigheden kunnen ze vervormd raken of anderszins schade oplopen.



- Om een 8 cm CD (CD-single) af te spelen, dient u deze in de binnenste uitsparing van de disclade te plaatsen. Leg geen gewone 12 cm CD bovenop een 8 cm CD (CD-single).

Opllossen van problemen

Raadpleeg de tabel hieronder wanneer het toestel niet naar behoren functioneert. Als het probleem niet hieronder vermeld staat, of als de aanwijzingen het probleem niet verhelpen, zet het toestel dan uit (standby), haal de stekker uit het stopcontact en neem contact op met uw dichtstbijzijnde Yamaha dealer of servicecentrum.

Probleem	Oorzaak	Oplossing	Zie bladzijde
Het apparaat wordt niet ingeschakeld wanneer POWER naar boven wordt gedrukt.	Het netsnoer is niet aangesloten of niet volledig aangesloten.	Sluit het netsnoer goed aan.	16
De disc-lade sluit niet volledig.	De disc-lade wordt door een vreemd voorwerp gehinderd.	Controleer voorzichtig de disc-lade en verwijder het vreemde voorwerp.	—
De weergave begint niet.	De disc is beschadigd.	Controleer de disc nauwkeurig; vernieuw deze indien nodig.	—
	Er bevindt zich vocht op de laser pick-up.	Wacht 20 tot 30 minuten na het inschakelen van het apparaat, alvorens te proberen een disc af te spelen.	—
	De disc is ondersteboven in de lade geplaatst.	Laad de disc opnieuw met het label naar boven gericht.	—
	De disc is verontreinigd.	Reinig de disc.	—
	De MP3 of WMA formaten zijn niet compatibel met dit toestel.	Vervang de disc door een correct opgenomen disc die wel met dit apparaat kan worden weergegeven.	20
	De CD-RW (herschrijfbaar) disc is niet correct opgenomen.	Vervang de disc door een correct opgenomen disc die wel met dit apparaat kan worden weergegeven.	—
	Vervang de disc door een correct opgenomen disc die op dit apparaat kan worden weergegeven.	Vervang de disc door een correct opgenomen disc die wel met dit apparaat kan worden weergegeven.	—
De weergave begint vertraagd of begint op het verkeerde punt.	De disc is vermoedelijk bekrast of beschadigd.	Controleer de disc nauwkeurig; vernieuw deze indien nodig.	—
Geen geluid.	Verkeerde aansluiting van de uitgangssignaalkebls.	Sluit de kabels op de juiste wijze aan. Indien het probleem blijft voortbestaan, zijn de kabels vermoedelijk defect.	14
	Verkeerde bediening van de versterker.	Stel de regelaars van de versterker in op de juiste ingangssignaalkeuze.	—
Het geluid "slaat over".	Dit toestel is onderhevig aan trillingen of schokken.	Stel dit toestel op een andere plaats op.	—
	De disc is verontreinigd.	Reinig de disc.	—
Het geluid "slaat over".	Verkeerde aansluiting van de kabels.	Maak de audiokabels goed vast. Indien het probleem blijft voortbestaan, zijn de kabels vermoedelijk defect.	14
Storing van een in de buurt opgestelde tuner.	De tuner bevindt zich te dicht bij dit toestel.	Plaats de tuner en dit toestel verder uit elkaar.	—
Storing van binnenuit de disc-lade.	De disc is vermoedelijk kromgetrokken.	Vernieuw de disc.	—
De zender van de afstandbediening werkt niet.	De batterijen van de afstandbediening zijn te zwak.	Vervang de batterijen door nieuwe.	12
	De afstandbediening is te ver verwijderd of wordt te schuin gehouden.	Gebruik de afstandbediening binnen een bereik van 6 meter en een hoek van 60°.	12
	Direct zonlicht of verlichting (van een sterke fluorescerende lamp, enz.) valt op de sensor van de afstandbediening van dit toestel.	Stel het toestel anders op.	12

Высокоточное воспроизведение HiFi начиналось вместе с Yamaha

Вовлечение Yamaha в музыку и страсть к ней уходит более чем на век назад, когда в 1887 г. был построен наш первый язычковый орган. В данный момент мы являемся ведущим производителем пианино и других музыкальных инструментов в мире, и также вовлечены в музыку во многих других отношениях. Мы производим профессиональное записывающее оборудование, мы проектируем концертные залы, и мы помогаем исполнителям при планировании и настройке звучания концертов.

Данное знание и опыт во многом оказывает благоприятное воздействие на наше производство аудиокомпонентов. Мы представили наш первый HiFi (высокоточное воспроизведение) проигрыватель в 1954 г. Впоследствии мы были одними из первых, кто начал массовое производство высококачественного аудиооборудования, и представили много легендарных стереофонических компонентов.

Надеемся, что вы получите настоящее HiFi удовольствие от высокоточного воспроизведения Yamaha Natural Sound.



Превосходство в достижениях в сфере аудиокomпонентов

1920-1960s

Первая HiFi-система представлена в 1920 г. В промежутке между 1955 – 1965 гг., мы вывели на рынок множество компонентов HiFi (проигрыватели, ЧМ/AM тюнеры, встроенные усилители, предусилители, усилители мощности и колонки).



NS-20



CA-1000

Серия акустических систем естественного звучания представлена в 1967 г.

Контрольная колонка NS-20

1970s

Встроенный усилитель CA-1000

С ориентацией на класс А, CA-1000 установила стандарт для встроенных усилителей.



NS-690



NS-1000M

Контрольная колонка NS-690

Контрольная колонка NS-1000M

Истинно легендарная колонка все еще почитается HiFi энтузиастами.

Усилитель мощности В-1

Передовой усилитель мощности, использующий полевые транзисторы на всех этапах.



B-1



C-2

Управляющий усилитель C-2

Завоевал главный приз на Миланской международной музыкальной и HiFi выставке



PX-2



NS-10M

Студийная контрольная колонка NS-10M

Стала наиболее популярной студийной контрольной колонкой в мире.



A-1

Встроенный усилитель A-1

Проигрыватель PX-2

Первый проигрыватель Yamaha с прямым тонармом.



B-6



B-2x

1980s

Усилитель мощности В-6

Пирамидообразный усилитель мощности.

Проигрыватель GT-2000/L

Первый CD-проигрыватель (CD-1) представлен в 1983 г.



MX-10000



CX-10000

Усилитель мощности В-2х

Усилитель мощности MX-10000 и Управляющий усилитель CX-10000

Переопределил возможности отдельных компонентов.

Встроенный усилитель AX-1

1990s

CD-проигрыватель GT-CD1

Усилитель мощности MX-1 и Предусилитель CX-1



Soavo-1



Soavo-2

2000s

Акустические системы естественного звучания Soavo-1 и Soavo-2

Стереофонический усилитель A-S2000 и Super Audio CD-проигрыватель CD-S2000

CD-S2000

- ◆ **Уравновешенная передача сигнала на всех этапах позволяет получить предельного уровня в воспроизведении CD**
- ◆ **Уравновешенная передача сигнала на всех этапах, начиная от DAC**
- ◆ **Тихая загрузка и высокоточный CD привод**
- ◆ **Независимые источники питания для полностью отдельных цифровых и аналоговых сигналов**
- ◆ **Pure Direct**
- ◆ **Симметричный дизайн левой и правой сторон с твердой, устойчивой конструкцией**
- ◆ **Суперзвук от Super Audio CD**

■ Поставляемые аксессуары

Пожалуйста, убедитесь в получении всех следующих аксессуаров.

- Силовой кабель переменного тока
- Пульт ДУ
- Батарейки (AA, R6, UM-3) (×2)
- Штыревой аудиокабель
- Брошюра по безопасности

◆ **Содержание**

Системы управления и функции	6
Соединения.....	14
Технические характеристики	18
Формат воспроизводимого диска	19
Возможные неисправности и способы их устранения.....	21

■ О данном руководстве

- * означает совет для облегчения управления.
- Данное руководство отпечатано до производства. Дизайн и технические характеристики могут частично изменяться с целью улучшения качества и т.д. В случае, если имеются различия между руководством и аппаратом, приоритет отдается аппарату.
- Цвет изображений в данном руководстве может отличаться от настоящего цвета.
- Перед использованием данного аппарата, изучите брошюру по безопасности.

CD-S2000

Системы управления и функции

В данном разделе описываются системы управления и функции CD-S2000.

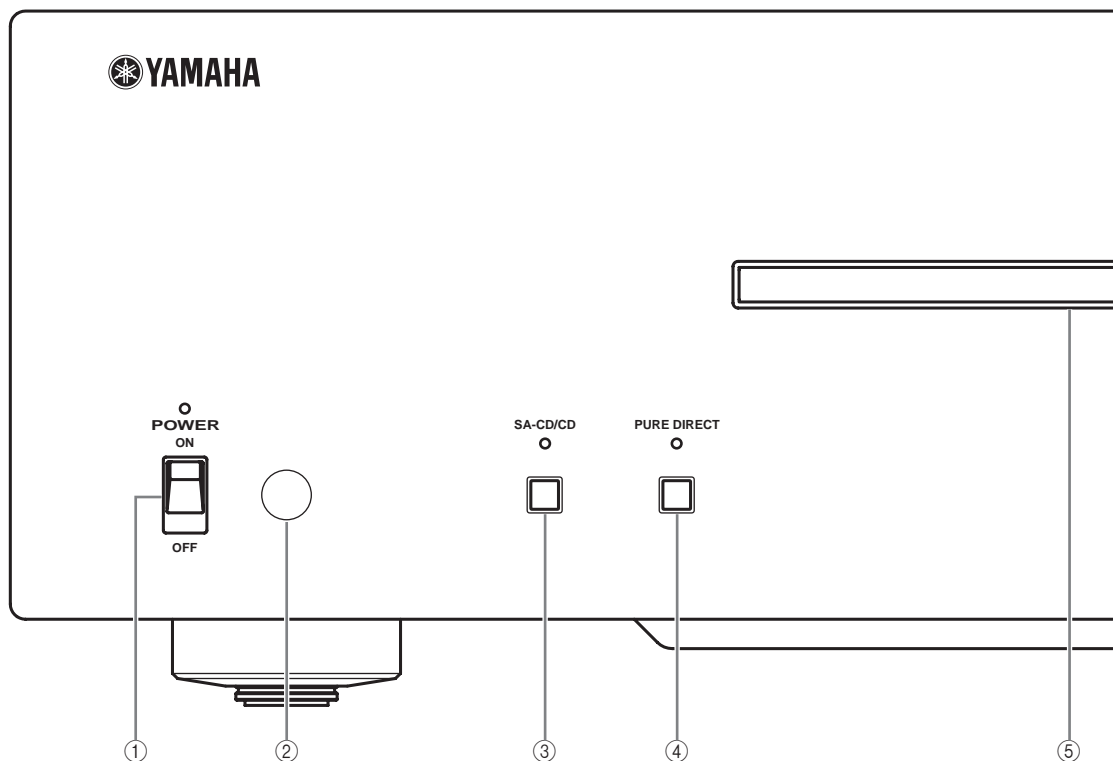
POWER
ON



OFF



■ Фронтальная панель



① POWER

Нажмите вверх или вниз для включения или отключения данного аппарата.



При включении данного аппарата, высвечивается вышеуказанный индикатор POWER.

② Сенсор дистанционного управления

Прием сигналов от пульта ДУ.

③ SA-CD/CD

Переключение слоя воспроизведения гибридного SA-CD на SA-CD и CD.



- При выборе слоя SA-CD, высвечивается вышеуказанный индикатор SA-CD/CD.
- Данная настройка остается неизменной даже после отключения данного аппарата.

④ PURE DIRECT

Включение режима PURE DIRECT для улучшения качества звучания.

Когда данный аппарат находится в режиме PURE DIRECT:

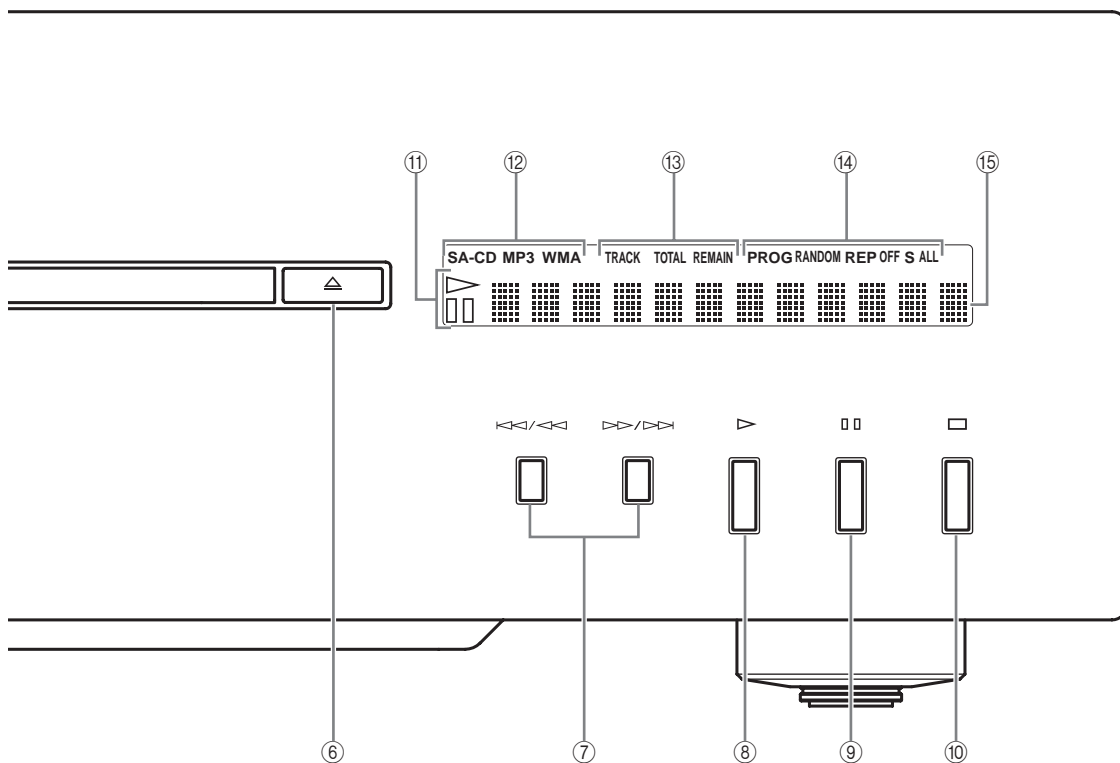
- Высвечивается вышеуказанный индикатор PURE DIRECT.
- Отключается вывод цифровых сигналов.
- Отключается дисплей фронтальной панели.



- Остальные индикаторы и сообщения все еще отображаются на дисплее фронтальной панели.
- Снова нажмите для отключения режима PURE DIRECT.
- Данная настройка остается неизменной даже после отключения данного аппарата.

⑤ Лоток диска

Предназначен для загрузки диска.



⑥ **△ (Открытие/Закрытие)**

Открытие и закрытие лотка диска.



Лоток диска также можно закрыть:

- нажатием ▷ (Воспроизведение) на фронтальной панели или на пульте ДУ, или легким нажатием передней кромки лотка диска.
- нажатием цифровой кнопки на пульте ДУ.

⑦ **◀◀/▶▶ (Пропуск/Поиск назад), ▶▶/▶▶ (Пропуск/Поиск вперед)**

▶▶/▶▶ : Переход на следующую дорожку.

◀◀/◀◀ : Переход назад на начало текущей дорожки.

◀◀/◀◀ (дважды): Переход на предыдущую дорожку.
Для поиска назад/вперед, нажмите и удерживайте
◀◀/◀◀ или ▶▶/▶▶ .



При каждом нажатии и удерживании ◀◀/◀◀ или ▶▶/▶▶ , скорость поиска возрастает до 4 уровней.

⑧ **▷ (Воспроизведение)**

Начало воспроизведения.

⑨ **▢▢ (Пауза)**

Пауза воспроизведения. Для возобновления воспроизведения, нажмите ▷ или ▢▢ .

⑩ **▢ (Остановка)**

Остановка воспроизведения.

⑪ **Индикатор состояния воспроизведения**

⑫ **Индикатор типа диска**

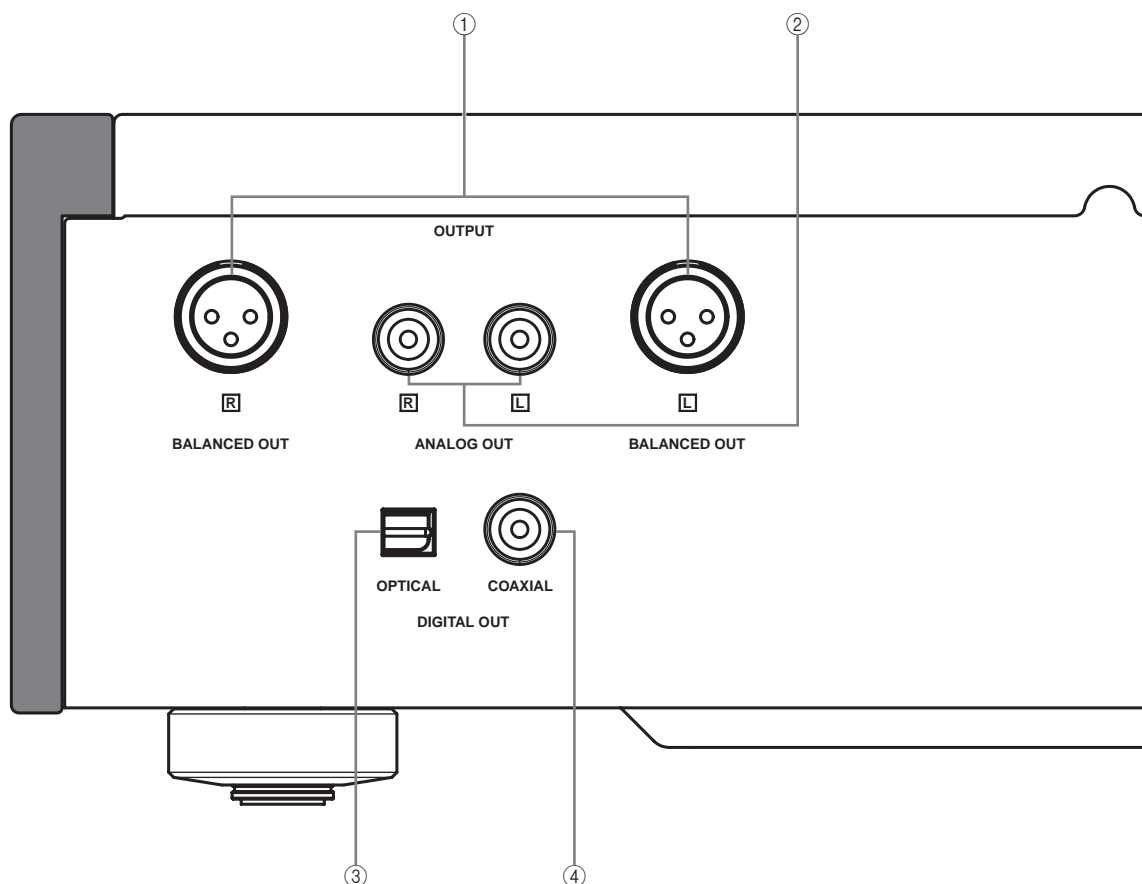
⑬ **Индикатор режима отображения времени**

⑭ **Индикатор режима воспроизведения**

⑮ **Многофункциональный информационный дисплей**

Смотрите стр. 20 подробнее о воспроизведении MP3/WMA.

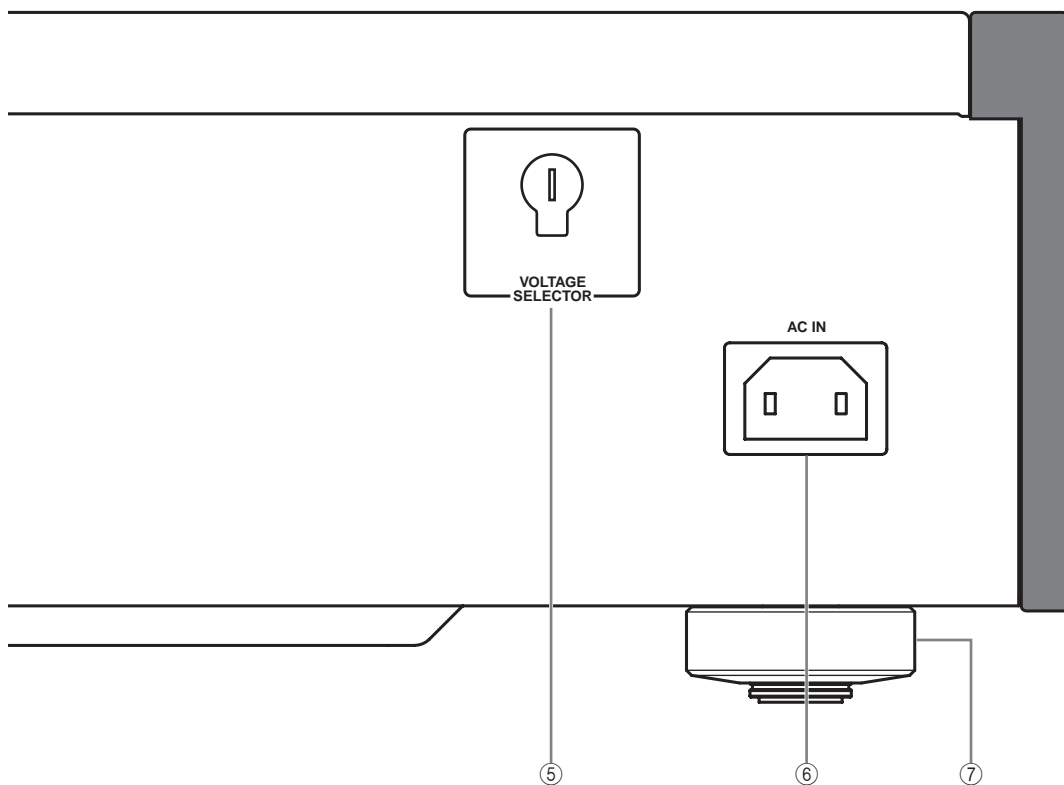
■ Задняя панель



Смотрите стр. 14 для информации по подключению.

- ① Гнезда **BALANCED OUT**
- ② Гнезда **ANALOG OUT**
- ③ Гнездо **OPTICAL DIGITAL OUT**
- ④ Гнездо **COAXIAL DIGITAL OUT**

(Модель для Азии и общая модель)



⑤ VOLTAGE SELECTOR

(Только модель для Азии и общая модель)

Переключатель VOLTAGE SELECTOR на задней панели данного аппарата должен быть установлен на местное напряжение ДО подключения силового кабеля переменного тока к розетке переменного тока.

Смотрите стр. 16 для подробной информации.

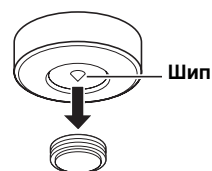
⑥ AC IN

Данный вход используется для подключения поставляемого силового кабеля.

Смотрите стр. 16 для информации по подключению.

⑦ Ножка

Ножки данного аппарата имеют встроенные шипы. Шипы могут помочь уменьшить влияние вибраций на устройстве. При использовании шипов, снимите магнитную ножку, потянув за нее.



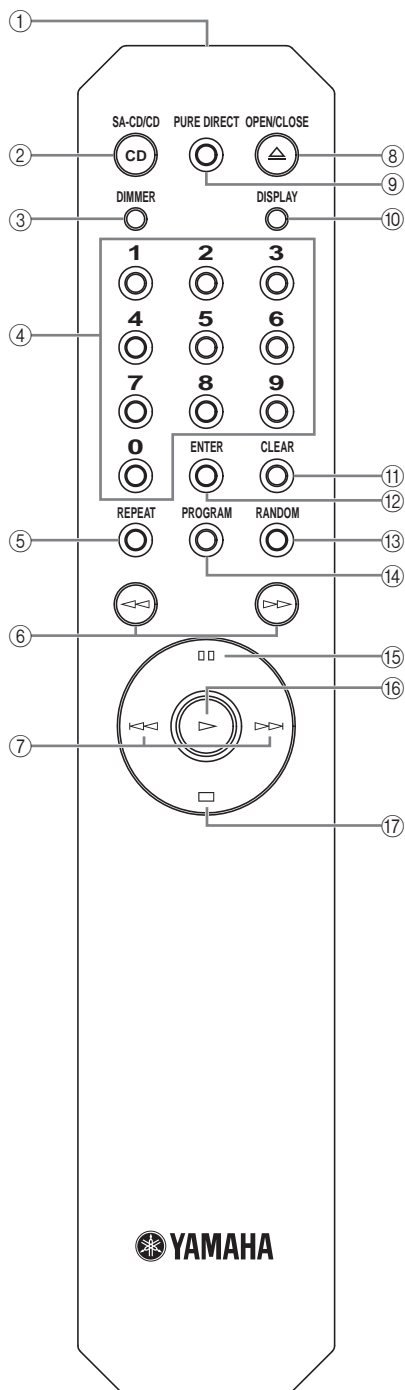
Предупреждение

При использовании встроенных шипов ножки, шипы могут поцарапать полку или пол, на котором установлен данный аппарат. При размещении данного аппарата на дорогой мебели, др., используйте опоры.



Если данный аппарат неустойчив, можно отрегулировать высоту ножки, поворачивая ее.

■ Пульт ДУ



① Передатчик инфракрасного сигнала

Передача инфракрасных сигналов на данный аппарат.

② SA-CD/CD

Переключение слоя воспроизведения гибридного SA-CD на SA-CD и CD.



- При выборе слоя SA-CD, на фронтальной панели высвечивается индикатор SA-CD/CD.
- Данная настройка остается неизменной даже после отключения данного аппарата.

③ DIMMER

Выбор уровня яркости для дисплея фронтальной панели. При каждом нажатии DIMMER, уровень яркости переключается следующим образом: Макс. (самый яркий) → Уровень 1 (по умолчанию) → Уровень 2 → Уровень 3 (самый тусклый) → Макс.



Данная настройка остается неизменной даже после отключения данного аппарата.

④ Цифровые кнопки

Используются для прямого выбора дорожки.

Примечание

Данная операция недействительна для MP3 или WMA дисков.

⑤ REPEAT

Повторное воспроизведение одной дорожки или всех дорожек. При каждом нажатии REPEAT во время воспроизведения, режим повторного воспроизведения переключается следующим образом:

- REP S (повторное воспроизведение одной дорожки): По достижению конца текущей дорожки, воспроизведение повторяется с начала текущей дорожки.
- REP ALL (повторное воспроизведение всех дорожек): По достижению конца последней дорожки, воспроизведение повторяется с начала первой дорожки.

Примечание

Данная операция недействительна для MP3 или WMA дисков.

⑥ ◀▶ (Поиск назад), ▶▶ (Поиск вперед)

Поиск дорожек назад/вперед.



При каждом нажатии ◀▶ или ▶▶, скорость поиска повышается на 4 уровня.

⑦ ◀▶▶ (Пропуск назад), ▶▶▶ (Пропуск вперед)

- ▶▶▶ : Переход на следующую дорожку.
- ◀▶▶ : Переход назад на начало текущей дорожки.
- ◀▶▶ (дважды) : Переход на предыдущую дорожку.

⑧ OPEN/CLOSE

Открытие и закрытие лотка диска.

⑨ PURE DIRECT

Включение режима PURE DIRECT для улучшения качества звучания.

Когда данный аппарат находится в режиме PURE DIRECT:

- Высвечивается вышеуказанный индикатор PURE DIRECT.
- Отключается вывод цифровых сигналов.
- Отключается дисплей фронтальной панели.



- Остальные индикаторы и сообщения все еще отображаются на дисплее фронтальной панели.
- Данная настройка остается неизменной даже после отключения данного аппарата.

⑩ DISPLAY

Переключение режима отображения времени. При каждом нажатии DISPLAY во время воспроизведения, режим отображения времени переключается следующим образом:

- Прошедшее время воспроизведения текущей дорожки (по умолчанию). На дисплее фронтальной панели высвечивается индикатор TRACK.
- Оставшееся время воспроизведения текущей дорожки. На дисплее фронтальной панели высвечиваются индикаторы TRACK и REMAIN.
- Общее оставшееся время на диске. На дисплее фронтальной панели высвечиваются индикаторы TOTAL и REMAIN.

⑪ CLEAR

Удаление последней запрограммированной дорожки, когда данный аппарат находится в режиме редактирования программы. Смотрите “Программное воспроизведение” на данной странице.



При остановленном воспроизведении, можно удалить все запрограммированные дорожки.

⑫ ENTER

Подтверждение введенного номера дорожки при программировании дорожек.

⑬ RANDOM

Включение или отключение режима выборочного воспроизведения.

Примечания

- Данная операция недействительна для MP3 или WMA дисков.
- Режим выборочного воспроизведения отменяется при остановке воспроизведения или извлечении диска.

⑭ PROGRAM

Включение или отключение режима программного воспроизведения. Смотрите “Программное воспроизведение” на данной странице.

⑮ ⏸ (Пауза)

Пауза воспроизведения. Для возобновления воспроизведения, нажмите ▷ или ⏸.

⑯ ▷ (Воспроизведение)

Начало воспроизведения.

⑰ □ (Остановка)

Остановка воспроизведения.

Смотрите стр. 20 подробнее о воспроизведении MP3/WMA.

■ Программное воспроизведение

В режиме программного воспроизведения, можно воспроизводить дорожки в программной последовательности.

Примечания

- Данная операция недействительна для MP3 или WMA дисков.
- Запрограммированные дорожки удаляются при извлечении диска или отключении данного аппарата.

1 При остановленном воспроизведении, нажмите кнопку PROGRAM.

Данный аппарат устанавливается в режим редактирования программы.

2 С помощью цифровых кнопок и ENTER, выберите дорожку.

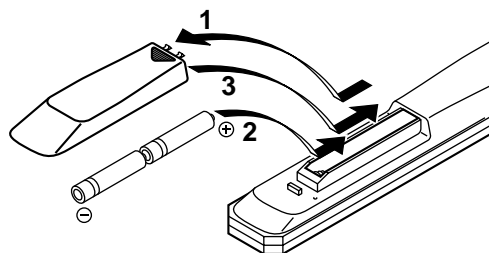
3 Повторив шаг 2, запрограммируйте следующую дорожку.

Можно запрограммировать до 24 дорожек.

4 Нажмите кнопку ▷.

Воспроизведение начинается с начала программной последовательности.

■ Установка батареек в пульт ДУ

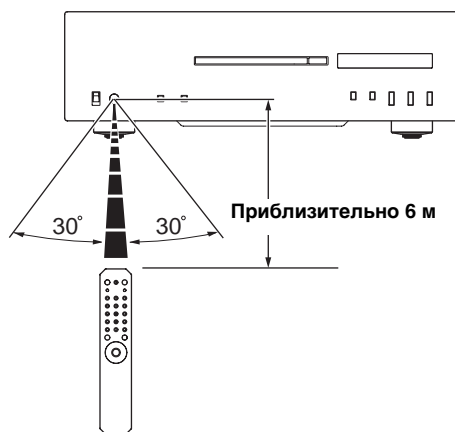


- 1 Нажмите на ▼ и вытяните крышку отделения для батареек.
- 2 Вставьте две поставляемые батарейки (AA, R6, UM-3) в соответствии с обозначениями полярности (+ / -) на внутренней стороне отделения для батареек.
- 3 Задвиньте крышку обратно на место до щелчка.

■ Использование пульта ДУ

Пульт ДУ передает направленный инфракрасный луч.

Во время управления, обязательно направляйте пульт ДУ прямо на сенсор ДУ на фронтальной панели данного аппарата.





CD-S2000 Соединения

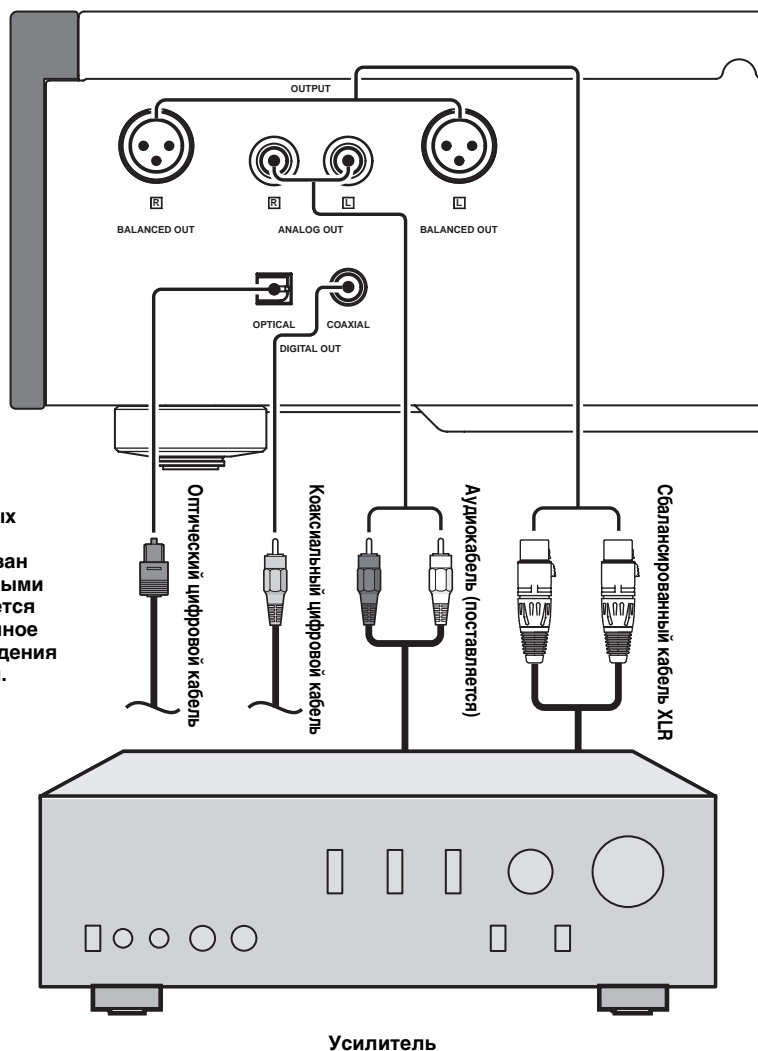
В данном разделе описаны соединения между CD-S2000 и усилителем.

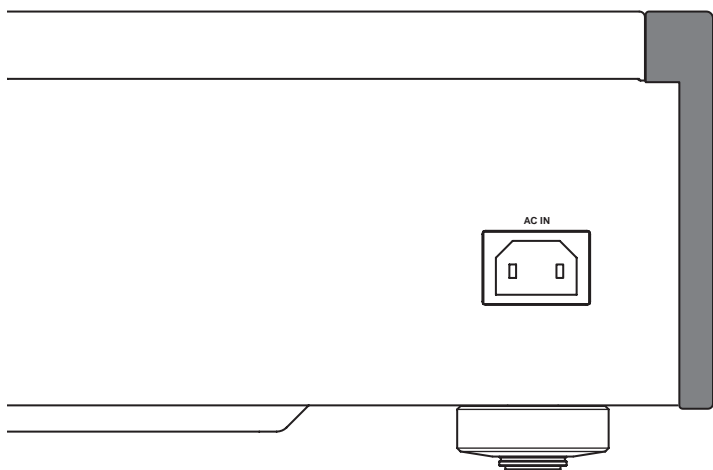
ING OUT

BALANCED OUT

COAXIAL

Выберите одно из данных соединений.
Если усилитель оборудован сбалансированными входными гнездами XLR, рекомендуется выполнить сбалансированное соединение для воспроизведения оптимального звучания.





■ Подключение к гнездам BALANCED OUT

Подключите усилитель к сбалансированным выходным гнездам XLR. Назначение штекселей для данных гнезд показано ниже. Смотрите руководство по эксплуатации к усилителю и убедитесь, что его сбалансированные входные гнезда XLR совместимы с назначением штекселей.



При подключении, выровняйте штексели, и вставляйте соединитель "принимающего" сбалансированного кабеля XLR. При отсоединении, вытягивайте "принимающий" сбалансированный кабель XLR, удерживая нажатой защелку на штекере.



■ VOLTAGE SELECTOR

(Только модель для Азии и общая модель)

Предупреждение

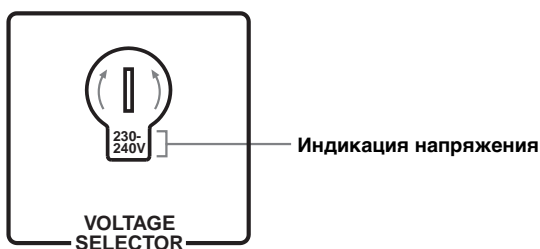
Селектор VOLTAGE SELECTOR на задней панели данного аппарата должен быть установлен на местное напряжение ДО подключения силового кабеля к розетке переменного тока.

Неправильная установка VOLTAGE SELECTOR может повредить данный аппарат и создать риск возможного пожара.

Поворачивая VOLTAGE SELECTOR по часовой или против часовой стрелки с помощью отвертки, установите его на соответствующую позицию.

Имеются следующие напряжения:

.....110/120/220/230–240 В переменного тока, 50/60 Гц



■ Подключение силового кабеля

По завершению всех соединений, подключите силовой кабель в соединитель AC IN, и затем подключите силовой кабель к сети переменного тока.



CD-S2000
**Технические
характеристики**

В данном разделе приведены технические спецификации для CD-S2000.

Технические характеристики

АУДИОРАЗДЕЛ

- Частотная характеристика
 - SA-CD 2 Гц - 20 кГц (-3 дБ)
 - CD 2 Гц - 20 кГц
- Общее нелинейное искажение
 - SA-CD 0,0017% или менее
 - CD 0,002% или менее
- Соотношение сигнал/шум (Сеть ИФ-А)
 - 116 дБ или более
- Динамический диапазон
 - SA-CD 110 дБ или более
 - CD 100 дБ или более
- Уровень выхода (1 кГц, 0 дБ) $2,0 \pm 0,3$ В

ХАРАКТЕРИСТИКИ ЛАЗЕРНОГО ДИОДА

- Тип
 - SA-CD Полупроводниковый лазер (AlGaInP)
 - CD Полупроводниковый лазер (AlGaAs)
- Длина волны
 - SA-CD 650 нм
 - CD 780 нм
- Выходная мощность
 - SA-CD 5 мВатт (макс.)
 - CD 7 мВатт (макс.)

ОБЩИЙ РАЗДЕЛ

- Напряжение
 - [Модели для США и Канады]
 - 120 В переменного тока, 60 Гц
 - [Модель для Азии и общая модель]
 - 110/120/220/230-240 В переменного тока, 50/60 Гц
 - [Модель для Китая] 220 В переменного тока, 50 Гц
 - [Модель для Кореи] 220 В переменного тока, 60 Гц
 - [Модель для Австралии]
 - 240 В переменного тока, 50 Гц
 - [Модели для Соединенного Королевства
Великобритании и Северной Ирландии, и Европы]
 - 230 В переменного тока, 50 Гц
 - Энергопотребление 30 Ватт
 - Энергопотребление в выключенном состоянии 0 Ватт
 - Габариты (Ш x В x Г) 435 x 137 x 440 мм
 - Вес 15 кг
- * Технические характеристики могут изменяться без уведомления.

Уход за данным аппаратом

При вытирании данного аппарата, не используйте химические растворители (например, алкоголь или разбавитель, др.); это может повредить отделку. Используйте чистую, сухую ткань. При сильном загрязнении, смочите мягкую ткань в моющем растворе, разбавленном водой, выжмите ее, и затем начисто протрите данный аппарат тканью.

По мере расширения и сжатия дерева, винты на боковых панелях могут ослабеть. В таком случае, затяните винты.

Формат воспроизводимого диска

■ Поддерживаемые типы дисков

Данный аппарат предназначен для воспроизведения компакт-дисков со следующими обозначениями. Ни в коем случае не пытайтесь загрузить любые другие типы дисков в данный аппарат. Данный аппарат также может воспроизводить 8 см компакт-диски.

Super Audio CD

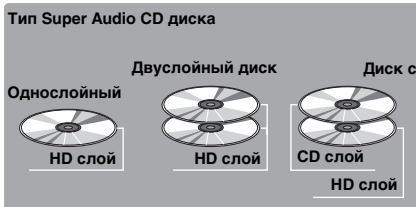


SUPER AUDIO CD

Аудиоформат основан на текущих стандартах CD, но содержит большее количество информации, предоставляющей высококачественное звучание. Существует три типа дисков: однослойные, двуслойные и гибридные диски. Гибридный диск может воспроизводиться на существующих CD проигрывателях, а также на Super Audio CD-проигрывателях, так как он содержит информацию стандартного аудио CD диска и Super Audio CD диска.

Примечание

Данный аппарат не отображает текстовую информацию на дисплее фронтальной панели.



Компакт-диски (цифровое аудио)



Наиболее популярные диски для продающихся аудио CD.

Цифровые аудиодиски CD-R, CD-RW



Музыкальные CD, выполненные путем копирования на CD-R или CD-RW (включая файлы формата MP3 или WMA).

Примечания

- Используйте CD-R или CD-RW диск от надежного производителя.
- Используйте CD-R или CD-RW диск, содержащий хотя-бы одно из следующих выражений на диске или футляре диска.
 - FOR CONSUMER
 - FOR CONSUMER USE
 - FOR MUSIC USE ONLY
- Используйте завершенный CD-R или CD-RW диск.

CD-TEXT диски



Диски, записанные с текстовой информацией, например, названия альбомов, названия дорожек, и имена исполнителей. Данные диски могут воспроизводиться на обычных CD-проигрывателях.

Примечание

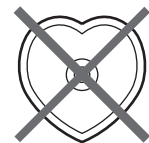
Данный аппарат не отображает текстовую информацию на дисплее фронтальной панели.

ПРИМЕЧАНИЕ:

Данный аппарат может не воспроизводить некоторые CD-RW диски, или диски, запись на которых была выполнена неправильно.

Во избежание сбоев на данном аппарате:

- Не используйте любые диски нестандартной формы (сердце, др.), имеющиеся в продаже, так как они могут привести к поломке данного аппарата.
- Не используйте диски с остатками клейкой ленты, наклейками, или клея. Такие диски могут застрять внутри данного аппарата или могут привести к поломке данного аппарата.



Формат воспроизводимого диска

■ Об MP3 и WMA дисках

Можно воспроизвести MP3 и WMA файлы, записанные на CD-R или CD-RW, таким же образом, как и музыкальный CD.

MP3

MP3 (MPEG-1 Audio Layer-3) означает технологию и формат сжатия последовательного звучания в файлы малого размера. Однако, исходный уровень качества звучания сохраняется во время воспроизведения.

Примечания

- Данный аппарат воспроизводит MP3 файлы в буквенно-цифровом порядке.
- Распознается до 648 папок и файлов (в целом), и до 299 папок; однако, в зависимости от структуры директорий, некоторые папки и файлы могут не распознаваться.
- В зависимости от условий записи, например, установок записывающего программного обеспечения, данный аппарат может не воспроизводить диск или файлы в порядке их записи.
- Данный аппарат совместим с частотой выборки 44,1 кГц.
- Данный аппарат совместим с битовой скоростью передачи данных 32, 40, 48, 56, 64, 80, 96, 112, 128, 160, 192, 224, 256, или 320 кбит/с. Переменная битовая скорость передачи данных не поддерживается.
- Диск должен соответствовать стандарту ISO9660.
- Текстовая информация, содержащаяся в файлах, не отображается на данном аппарате.

WMA

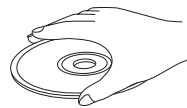
WMA (Windows Media Audio) - это файловый формат Microsoft для кодирования цифровых аудиофайлов наподобие MP3, хотя WMA может сжимать файлы на быстрее, чем MP3.

Примечания

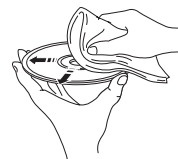
- Данный аппарат воспроизводит WMA файлы в буквенно-цифровом порядке.
- Распознается до 648 папок и файлов (в целом), и до 299 папок; однако, в зависимости от структуры директорий, некоторые папки и файлы могут не распознаваться.
- Данный аппарат совместим с частотой выборки 44,1 кГц.
- Данный аппарат совместим с битовой скоростью передачи данных 48, 64, 80, 96, 128, 160, или 192 кбит/с. Переменная битовая скорость передачи данных не поддерживается.
- Диск должен соответствовать стандарту ISO9660.
- Данный аппарат не воспроизводит файлы WMA с защитой от копирования.
- Текстовая информация, содержащаяся в файлах, не отображается на данном аппарате.

■ Обращение с компакт-дисками

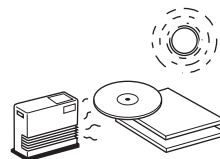
- Всегда обращайтесь с диском осторожно, чтобы не поцарапать его поверхность.



- Компакт-диски слишком редко изнашиваются от воспроизведения, но при повреждении поверхности диска при обращении с ним, это может негативно сказаться на воспроизведении диска.
- При записи на этикеточной стороне диска, используйте фломастер или подобное пишущее приспособление. Не используйте шариковую ручку, карандаш, или другие пишущие приспособления с твердым наконечником, так как это может повредить диск, и негативно сказаться на воспроизведении диска.
- Не сгибайте диски.
- Если диск не используется в данный момент, извлеките его из данного аппарата, и храните в соответствующем футляре.
- При извлечении или хранении диска, соблюдайте предосторожность, чтобы не поцарапать поверхность воспроизводящей стороны.
- Мелкие частицы пыли или отпечатки пальцев на поверхности воспроизводящей стороны не влияют на компакт-диски, но даже в этом случае, они должны оставаться чистыми. Протрите поверхность диска чистой, сухой тканью. Не протирайте поверхность диска в круговом движении; протирайте прямо от центра к краям.



- Не пытайтесь очистить поверхность диска с помощью любых типов очистителей дисков, аэрозолей для записей, антистатических аэрозолей или жидкостей, или любых других жидкостей на химической основе, так как такие вещества могут безвозвратно повредить поверхность диска.
- Не подвергайте диски воздействию прямых солнечных лучей, высокой температуры, или повышенной влажности на продолжительный срок, так как такие условия могут привести к искривлению диска или причинить другой ущерб.



- Для воспроизведения 8 см компакт-диска, установите его на внутреннем углубленном участке лотка диска. Не вставляйте обычный 12 см CD поверх 8 см CD.

Возможные неисправности и способы их устранения

Если данный аппарат работает несоответствующим образом, воспользуйтесь таблицей ниже для устранения ошибки. В случае, если неисправность не указана в таблице, или вы не смогли исправить ошибку, следуя инструкциям таблицы, отключите данный аппарат, отсоедините силовой кабель, и обратитесь к ближайшему авторизованному дилеру Yamaha или сервис-центр.

Неисправность	Причина	Способ устранения	Смотрите стр.
Аппарат не включается при нажатии POWER вверх.	Не подключен силовой кабель или он подключен ненадежно.	Надежно подключите силовой кабель.	16
Лоток диска неполностью закрыт.	Внешний предмет застопорил лоток диска.	Внимательно изучите лоток диска и извлеките посторонние предметы.	—
Воспроизведение не начинается.	Диск поврежден.	Внимательно изучите диск; при необходимости замените его.	—
	На лазерном окошке образовалась конденсация.	Подождите примерно 20 – 30 минут после включения аппарата и затем попытайтесь воспроизвести диск.	—
	Диск установлен верхней стороной вниз.	Переустановите диск этикеточной стороной вверх.	—
	Диск загрязнен.	Очистите диск.	—
	Данный аппарат несовместим с форматами MP3 или WMA.	Нестандартные диски не воспроизводятся на данном аппарате.	20
	CD-RW (перезаписываемый) диск неправильно записан.	Нестандартные диски не воспроизводятся на данном аппарате.	—
	Замените диск на правильно записанный диск, воспроизводимый на данном аппарате.	Нестандартные диски не воспроизводятся на данном аппарате.	—
Воспроизведение задерживается, или начинается не с того места.	Диск может быть поцарапан или поврежден.	Внимательно изучите диск; при необходимости замените его.	—
Отсутствует звучание.	Неправильные подключения выходных кабелей.	Надежно подключите кабели. Если неисправность все еще остается, кабели могут быть дефектными.	14
	Усилитель работает неправильно.	Установите усилитель на правильный источник.	—
Звучание “исчезает”.	Данный аппарат подвергся влиянию вибраций или толчков.	Переместите данный аппарат.	—
	Диск загрязнен.	Очистите диск.	—
“Гудящее” звучание.	Неправильное подключение кабелей.	Надежно подключите аудиокабели. Если неисправность все еще остается, кабели могут быть дефектными.	14
Шум от близко расположенного тюнера.	Тюнер расположен слишком близко от данного аппарата.	Отодвиньте тюнер и данный аппарат друг от друга.	—
Шум из лотка диска.	Диск может быть искривлен.	Замените диск.	—
Пульт ДУ не работает.	Очень слабые батарейки пульта ДУ.	Замените батарейки на новые.	12
	Пульт ДУ находится очень далеко или слишком наклонен.	Используйте в пределах 6 м и при радиусе 60°.	12
	На сенсор ДУ данного аппарата попадают прямые солнечные лучи или свет (от флуоресцентной лампы инвертерного типа и др.).	Измените месторасположение данного аппарата.	12



CD-S2000

Super Audio CD Player

Lecteur Super Audio CD

SAFETY BROCHURE
BROCHURE SUR LA SECURITE
SICHERHEITSBROSCHÜRE
SÄKERHETSANVISNINGAR
VOLANTINO SULLA SICUREZZA
FOLLETO DE SEGURIDAD
VEILIGHEIDSBROCHURE
БРОШЮРА ПО БЕЗОПАСНОСТИ

CAUTION

Use of controls or adjustments or performance of procedures other than those specified herein may result in hazardous radiation exposure.

AVERTISSEMENT

L'utilisation de commandes et l'emploi de réglages ou de méthodes autres que ceux décrits ci-dessous, peuvent entraîner une exposition à un rayonnement dangereux.

VORSICHT

Die Verwendung von Bedienelementen oder die Einstellung bzw. die Ausführung von anderen als in dieser Anleitung beschriebenen Vorgängen kann zu Gefährdung durch gefährliche Strahlung führen.

OBSERVERA

Användning av reglage eller justeringar eller utförande av åtgärder på annat sätt än så som beskrivs häri kan resultera i farlig strålning.

ATTENZIONE

L'uso di controlli, regolazioni, operazioni o procedure non specificati in questo manuale possono risultare in esposizione a radiazioni pericolose.

PRECAUCIÓN

El uso de los controles, los ajustes o los procedimientos que no se especifican en este manual pueden causar una exposición peligrosa a la radiación.

LET OP

Gebruik van bedieningsorganen, instellingen of procedures anders dan beschreven in dit document kan leiden tot blootstelling aan gevaarlijke stralen.

ПРЕДОСТЕРЕЖЕНИЕ

Использование органов управления или произведение настроек или выполнение процедур, не указанных в данной инструкции, может отразиться на выделении опасной радиации.

CAUTION INVISIBLE LASER RADIATION WHEN OPEN AND INTERLOCKS DEFEATED. AVOID EXPOSURE TO BEAM.

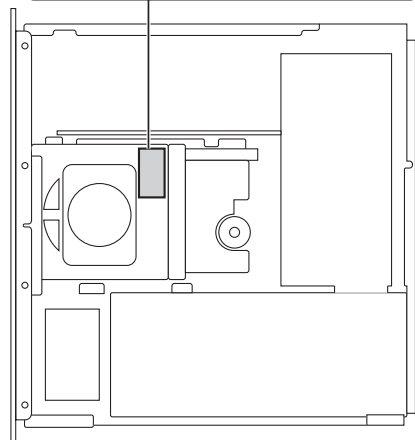
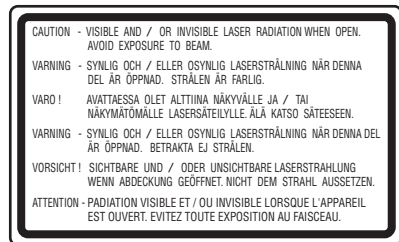
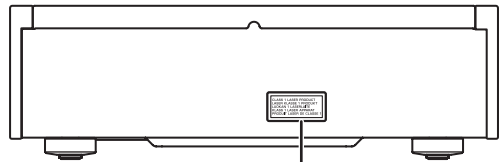
VORSICHT! UNSICHTBARE LASERSTRAHLUNG TRITT AUS, WENN DECKEL GEÖFFNET UND WENN SICHERHEITSVERRIEGELUNG ÜBERBRÜCKT IST. NICHT DEM STRAHL AUSSETZEN!

WARNING OSYNLIG LASERSTRÅLNING NÄR DENNA DEL ÄR ÖPPNAD OCH SPÄRR ÄR URKOPPLAD. STRÅLEN ÄR FARLIG.

ADVARSEL USYNLIG LASERSTRÅLING VED ÅBNING, NÄR SIKKERHEDSAFBRYDERE ER UDE AF FUNKTION. UNNGÅ UDSÆTTELSE FOR STRÅLING.

VAROITUS! SUOJAKOTEL OAI SAA AVATA. LAITE SISÄLTÄÄ LASERDIODIN, JOKA LÄHETTÄÄ (NÄKYMÄTÖNTÄ) SILMILLE VAARALLISTA LASER SÄTEILYÄ.

ADVARSEL USYNLIG LASERBESTRÅLING NÄR DENNE DELEN ER ÅPEN OG SIKKERHETSPERREN ER UTKOBLET. UNNGÅ UTSETTELSE FOR STRÅLING.



VAROITUS

Muiden kuin tässä esitettyjen toimintojen säädön tai asetusten muutto saattaa altistaa vaaralliselle säteilylle tai muille vaarallisille toiminnoille.

DK

Advarsel: Usynlig laserstråling ved åbning når sikkerhedsafbrydere er ude af funktion. Undgå udsættelse for stråling.

Bemærk: Netafbryderen POWER er sekundært indkoblet og afbryder ikke strømmen fra nettet. Den indbyggede netdel er derfor tilsluttet til lysnettet så længe netstikket sidder i stikkontakten.

N

Observer: Nettbryteren POWER er sekundert innkoplet. Den innebygdenetdelen er derfor ikke frakoplet nettet så lenge apparatet er tilsluttet nettkontakten.

S

Klass 1 laseraparat

Varning! Om apparaten används på annat sätt än i denna bruksanvisning specificerats, kan användaren utsättas för osynlig laserstrålning, som överskrider gränsen för laserklass 1.

Observera! Strömbrytaren POWER är sekundärt kopplad och inte bryter inte strömmen från nätet. Den inbyggda nätdelen är därför ansluten till elnätet så länge stickproppen sitter i vägguttaget.

SF

Luokan 1 laserlaite

Varoitus! Laitteen käyttäminen muulla kuin tässä käyttöohjeessa mainitulla tavalla saattaa altistaa käyttäjän turvallisuusluokan 1 ylittävälle näkymättömälle lasersäteilylle.

Oikeus muutoksiin varataan. Laite ei saa olla alltiina tippu- ja roiskevedelle.

Huom. Toiminnanvalitsin POWER on kytketty toisiopuolelle, eikä se kytkä laitetta irti sähköverkosta. Sisäänrakennettu verkko-osa on kytkettynä sähköverkkoon aina silloin, kun pistoke on pistorasiassa.

VARO!

AVATTAESSA JA SUOJALUKITUS OHITETTAESSA
OLET ALTTIINA NÄKYMÄTTÖMÄLLE
LASERSÄTEILYLLE.
ÄLÄ KATSO SÄ TEESEEN.

WARNING!

OSYNLIG LASERSTRÅLNING NÄR DENNA DEL ÄR
ÖPPNAD OCH SPÄRREN ÄR URKOPPLAD. BETRAKTA
EJ STRÅLEN.

Caution: Read this before operating your unit.

- 1 To assure the finest performance, please read this manual carefully. Keep it in a safe place for future reference.
- 2 Install this sound system in a well ventilated, cool, dry, clean place – away from direct sunlight, heat sources, vibration, dust, moisture, and/or cold. Allow ventilation space of at least 10 cm on the top, 10 cm on the left and right, and 10 cm on the back of this unit.
- 3 Locate this unit away from other electrical appliances, motors, or transformers to avoid humming sounds.
- 4 Do not expose this unit to sudden temperature changes from cold to hot, and do not locate this unit in an environment with high humidity (i.e. a room with a humidifier) to prevent condensation inside this unit, which may cause an electrical shock, fire, damage to this unit, and/or personal injury.
- 5 Avoid installing this unit where foreign objects may fall onto this unit and/or this unit may be exposed to liquid dripping or splashing. On the top of this unit, do not place:
 - Other components, as they may cause damage and/or discoloration on the surface of this unit.
 - Burning objects (i.e. candles), as they may cause fire, damage to this unit, and/or personal injury.
 - Containers with liquid in them, as they may fall and liquid may cause electrical shock to the user and/or damage to this unit.
- 6 Do not cover this unit with a newspaper, tablecloth, curtain, etc. in order not to obstruct heat radiation. If the temperature inside this unit rises, it may cause fire, damage to this unit, and/or personal injury.
- 7 Do not plug in this unit to a wall outlet until all connections are complete.
- 8 Do not operate this unit upside-down. It may overheat, possibly causing damage.
- 9 Do not use force on switches, knobs and/or cords.
- 10 When disconnecting the power cable from the wall outlet, grasp the plug; do not pull the cable.
- 11 Do not clean this unit with chemical solvents; this might damage the finish.
- 12 Only voltage specified on this unit must be used. Using this unit with a higher voltage than specified is dangerous and may cause fire, damage to this unit, and/or personal injury. Yamaha will not be held responsible for any damage resulting from use of this unit with a voltage other than specified.
- 13 To prevent damage by lightning, keep the power cord disconnected from a wall outlet or the unit during a lightning storm.
- 14 Do not attempt to modify or fix this unit. Contact qualified Yamaha service personnel when any service is needed. The cabinet should never be opened for any reasons.
- 15 When not planning to use this unit for long periods of time (i.e. vacation), disconnect the AC power plug from the wall outlet.
- 16 Install this unit near the AC outlet and where the AC power plug can be reached easily.
- 17 Be sure to read the “Troubleshooting” section in the owner’s manual on common operating errors before concluding that this unit is faulty.
- 18 Before moving this unit, press POWER downward to turn off this unit and then disconnect the AC power plug from the AC wall outlet.
- 19 **VOLTAGE SELECTOR** (Asia and General models only)
The VOLTAGE SELECTOR on the rear panel of this unit must be set for your local main voltage BEFORE plugging into the AC wall outlet. Voltages are:
.....AC 110/120/220/230–240 V, 50/60 Hz
- 20 The batteries shall not be exposed to excessive heat such as sunshine, fire or like.

As long as this unit is connected to the AC wall outlet, it is not disconnected from the AC power source even if you turn off this unit by POWER.


WARNING
TO REDUCE THE RISK OF FIRE OR ELECTRIC SHOCK, DO NOT EXPOSE THIS UNIT TO RAIN OR MOISTURE.

LASER SAFETY
This unit employs a laser. Due to possible eye injury, only a qualified service person should remove the cover or attempt to service this device.

DANGER
This unit emits visible laser radiation when open. Avoid direct eye exposure to beam. When this unit is plugged into the wall outlet, do not place your eyes close to the opening of the disc tray and other openings to look into inside.

The laser component in this product is capable of emitting radiation exceeding the limit for Class 1.

This symbol mark is according to the EU directive 2002/96/EC.



This symbol mark means that electrical and electronic equipment, at their end-of-life, should be disposed of separately from your household waste. Please act according to your local rules and do not dispose of your old products with your normal household waste.

■ Notes on batteries

- Change all of the batteries if you notice that the operation range of the remote control decreases.
- Use AA, R6, UM-3 batteries.
- Make sure that the polarities are correct. See the illustration inside the battery compartment.
- Remove the batteries if the remote control is not used for an extended period of time.
- Do not use old batteries together with new ones.
- Do not use different types of batteries (such as alkaline and manganese batteries) together. Read the packaging carefully as these different types of batteries may have the same shape and color.
- If the batteries have leaked, dispose of them immediately. Avoid touching the leaked material or letting it come into contact with clothing, etc. Clean the battery compartment thoroughly before installing new batteries.
- Do not throw away batteries with general house waste; dispose of them correctly in accordance with your local regulations.

■ Handling the remote control

- The area between the remote control and this unit must be clear of large obstacles.
- Do not spill water or other liquids on the remote control.
- Do not drop the remote control.
- Do not leave or store the remote control in the following types of conditions:
 - places of high humidity, such as near a bath
 - places of high temperature, such as near a heater or a stove
 - places of extremely low temperatures
 - dusty places
- Do not expose the remote control sensor to strong lighting, in particular, an inverter type fluorescent lamp; otherwise, the remote control may not work properly. If necessary, position this unit away from direct lighting.

Limited Guarantee for European Economic Area (EEA) and Switzerland

Thank you for having chosen a Yamaha product. In the unlikely event that your Yamaha product needs guarantee service, please contact the dealer from whom it was purchased. If you experience any difficulty, please contact Yamaha representative office in your country. You can find full details on our website (<http://www.yamaha-hifi.com/> or <http://www.yamaha-uk.com/> for U.K. resident).

The product is guaranteed to be free from defects in workmanship or materials for a period of two years from the date of the original purchase. Yamaha undertakes, subject to the conditions listed below, to have the faulty product or any part(s) repaired, or replaced at Yamaha's discretion, without any charge for parts or labour. Yamaha reserves the right to replace a product with that of a similar kind and/or value and condition, where a model has been discontinued or is considered uneconomic to repair.

Conditions

1. The original invoice or sales receipt (showing date of purchase, product code and dealer's name) MUST accompany the defective product, along with a statement detailing the fault. In the absence of this clear proof of purchase, Yamaha reserves the right to refuse to provide free of charge service and the product may be returned at the customer's expense.
2. The product MUST have been purchased from an AUTHORISED Yamaha dealer within the European Economic Area (EEA) or Switzerland.
3. The product must not have been the subject of any modifications or alterations, unless authorised in writing by Yamaha.
4. The following are excluded from this guarantee:
 - a. Periodic maintenance and repair or replacement of parts due to normal wear and tear.
 - b. Damage resulting from:
 - (1) Repairs performed by the customer himself or by an unauthorised third party.
 - (2) Inadequate packaging or mishandling, when the product is in transit from the customer. Please note that it is the customer's responsibility to ensure the product is adequately packaged when returning the product for repair.
 - (3) Misuse, including but not limited to (a) failure to use the product for its normal purpose or in accordance with Yamaha's instructions on the proper use, maintenance and storage, and (b) installation or use of the product in a manner inconsistent with the technical or safety standards in force in the country where it is used.
 - (4) Accidents, lightning, water, fire, improper ventilation, battery leakage or any cause beyond Yamaha's control.
 - (5) Defects of the system into which this product is incorporated and/or incompatibility with third party products.
 - (6) Use of a product imported into the EEA and/or Switzerland, not by Yamaha, where that product does not conform to the technical or safety standards of the country of use and/or to the standard specification of a product sold by Yamaha in the EEA and/or Switzerland.
 - (7) Non AV (Audio Visual) related products.
(Products subject to "Yamaha AV Guarantee Statement" are defined in our website at <http://www.yamaha-hifi.com/> or <http://www.yamaha-uk.com/> for U.K. resident.)
5. Where the guarantee differs between the country of purchase and the country of use of the product, the guarantee of the country of use shall apply.
6. Yamaha may not be held responsible for any losses or damages, whether direct, consequential or otherwise, save for the repair or replacement of the product.
7. Please backup any custom settings or data, as Yamaha may not be held responsible for any alteration or loss to such settings or data.
8. This guarantee does not affect the consumer's statutory rights under applicable national laws in force or the consumer's rights against the dealer arising from their sales/purchase contract.

Attention: Veuillez lire ce qui suit avant d'utiliser l'appareil.

- 1 Pour utiliser l'appareil au mieux de ses possibilités, lisez attentivement ce mode d'emploi. Conservez-le soigneusement pour référence.
- 2 Installez cet appareil audio dans un endroit bien aéré, frais, sec et propre – à l'abri de la lumière directe du soleil, des sources de chaleur ou de vibration, des poussières, de l'humidité et du froid. Ménagez un espace libre d'au moins 10 cm au-dessus, 10 cm sur la gauche et la droite et 10 cm à l'arrière de l'appareil pour qu'il soit bien ventilé.
- 3 Placez l'appareil loin des équipements, moteurs et transformateurs électriques, pour éviter les ronflements parasites.
- 4 N'exposez pas l'appareil à des variations brutales de température, ne le placez pas dans un environnement très humide (par exemple dans une pièce contenant un humidificateur) car cela peut entraîner la condensation d'humidité à l'intérieur de l'appareil qui elle-même peut être responsable de secousse électrique, d'incendie, de dommage à l'appareil ou de blessure corporelle.
- 5 Evitez d'installer l'appareil dans un endroit où des objets peuvent tomber, ainsi que là où l'appareil pourrait être exposé à des éclaboussures ou des gouttes d'eau. Sur le dessus de l'appareil, ne placez pas:
 - D'autres appareils qui peuvent endommager la surface de l'appareil ou provoquer sa décoloration.
 - Des objets se consumant (par exemple, une bougie) qui peuvent être responsables d'incendie, de dommage à l'appareil ou de blessure corporelle.
 - Des récipients contenant des liquides qui peuvent être à l'origine de secousse électrique ou de dommage à l'appareil.
- 6 Ne couvrez pas l'appareil d'un journal, d'une nappe, d'un rideau, etc. car cela empêcherait l'évacuation de la chaleur. Toute augmentation de la température intérieure de l'appareil peut être responsable d'incendie, de dommage à l'appareil ou de blessure corporelle.
- 7 Ne branchez pas la fiche du cordon d'alimentation de l'appareil sur une prise secteur aussi longtemps que tous les raccordements n'ont pas été effectués.
- 8 Ne pas faire fonctionner l'appareil à l'envers. Il risquerait de chauffer et d'être endommagé.
- 9 N'exercez aucune force excessive sur les commutateurs, les boutons et les cordons.
- 10 Pour débrancher la fiche du cordon d'alimentation au niveau de la prise secteur, saisissez la fiche et ne tirez pas sur le cordon.
- 11 Ne nettoyez pas l'appareil au moyen d'un solvant chimique, ce qui pourrait endommager la finition.
- 12 N'alimentez l'appareil qu'à partir de la tension prescrite. Alimenter l'appareil sous une tension plus élevée est dangereux et peut être responsable d'incendie, de dommage à l'appareil ou de blessure corporelle. Yamaha ne saurait être tenue responsable des dommages résultant de l'alimentation de l'appareil sous une tension autre que celle prescrite.
- 13 Pour éviter les dommages dus à la foudre, débranchez le cordon d'alimentation de la prise secteur ou de l'appareil pendant les orages électriques.
- 14 Ne tentez pas de modifier ni de réparer l'appareil. Consultez le service Yamaha compétent pour toute réparation qui serait requise. Le coffret de l'appareil ne doit jamais être ouvert, quelle que soit la raison.
- 15 Si vous envisagez de ne pas vous servir de l'appareil pendant une longue période (par exemple, pendant les vacances), débranchez la fiche du cordon d'alimentation au niveau de la prise secteur.
- 16 Installez cet appareil à proximité de la prise secteur et à un emplacement où la fiche d'alimentation est facilement accessible.
- 17 Lisez la section intitulée "Guide de dépannage" où figurent une liste d'erreurs de manipulation ordinaires avant de conclure à une anomalie ou à une anomalie de l'appareil.
- 18 Avant de déplacer cet appareil, appuyez sur POWER pour le mettre hors tension, puis débranchez la fiche câble d'alimentation de la prise murale.
- 19 **VOLTAGE SELECTOR**
(Modèle pour l'Asie et modèle Standard seulement)
Le commutateur VOLTAGE SELECTOR placé sur le panneau arrière de cet appareil doit être convenablement positionné AVANT de brancher la fiche du cordon d'alimentation secteur. Les tensions d'alimentation possibles sont:
.....CA 110/120/220/230–240 V, 50/60 Hz
- 20 Les piles ne doivent pas être exposées à une chaleur extrême, par exemple au soleil, à une flamme, etc.


L'appareil est relié au bloc d'alimentation tant qu'il reste branché à la prise de courant murale, même si vous mettez l'appareil hors tension en appuyant sur POWER.

AVERTISSEMENT
POUR RÉDUIRE LES RISQUES D'INCENDIE OU DE SECOUSSE ÉLECTRIQUE, N'EXPOSEZ PAS CET APPAREIL À LA PLUIE OU À L'HUMIDITÉ.

SÉCURITÉ LASER
L'appareil utilise un laser. En raison des risques de blessure des yeux, le retrait du couvercle ou les réparations de l'appareil devront être confiés exclusivement à un technicien d'entretien qualifié.

DANGER
Risque d'exposition au laser en cas d'ouverture. Éviter toute exposition au faisceau. Lorsque cet appareil est branché à la prise de courant, ne pas approcher les yeux de l'ouverture du plateau changeur et des autres ouvertures pour regarder à l'intérieur.

Le laser de cet appareil peut émettre un rayonnement dépassant les limites de la classe 1.



Ce symbole est conforme à la directive européenne 2002/96/EC.

Ce symbole indique que l'élimination des équipements électriques et électroniques en fin de vie doit s'effectuer à l'écart de celle de vos déchets ménagers.

Veillez respecter les réglementations locales et veillez à garder séparés vos anciens produits et vos déchets ménagers usuels lors de leur élimination.

■ Remarques concernant les piles

- Changez toutes les piles lorsque vous remarquez que la portée de la télécommande est plus courte.
- Utilisez des piles AA, R6 ou UM-3.
- Assurez-vous que les pôles sont correctement orientés. Voir l'illustration à l'intérieur du logement des piles.
- Retirez les piles si la télécommande n'est pas utilisée pendant un certain temps.
- N'utilisez pas tout à la fois des piles neuves et des piles usagées.
- N'utilisez pas non plus des piles de deux types différents (par exemple, des piles alcalines et des piles au manganèse). Lisez attentivement les indications portées sur le boîtier des piles car leur apparence peut être la même bien que leur type diffère.
- Si les piles ont fui, mettez-les au rebut immédiatement. Dans la mesure du possible, ne touchez pas le produit qui a fui et évitez qu'il ne vienne en contact avec vos vêtements, etc. Nettoyez soigneusement le logement des piles avant de mettre en place des piles neuves.
- Ne vous débarrassez pas des piles comme s'il s'agissait ordures ménagères; traitez-les conformément à la réglementation locale.

■ Manipulation du boîtier de télécommande

- Entre le boîtier de télécommande et l'appareil l'espace doit être libre d'obstacles.
- Ne renversez aucun liquide sur le boîtier de télécommande.
- Ne laissez pas tomber le boîtier de télécommande.
- Ne conservez pas, ne rangez pas le boîtier de télécommande dans les endroits suivants:
 - très humides, par exemple près d'un bain
 - très chauds, par exemple près d'un appareil de chauffage ou d'un poêle
 - exposés à des températures très basses
 - poussiéreux
- Ne pas exposer le capteur de télécommande à une lumière puissante, en particulier à une lampe fluorescente à onduleur, sinon le boîtier de télécommande ne fonctionnera pas correctement. Le cas échéant, faites en sorte que le boîtier ne soit pas directement éclairé.

Garantie Limitée pour la Zone Économique Européenne (EEA) et la Suisse

Merci d'avoir porté votre choix sur un produit Yamaha. Si votre produit Yamaha devait avoir besoin d'une réparation pendant sa période de garantie, veuillez contacter votre revendeur. En cas de difficulté, veuillez contacter une agence Yamaha dans votre propre pays. Vous trouverez tous les détails nécessaires sur notre site Web (<http://www.yamaha-hifi.com/> ou <http://www.yamaha-uk.com/> pour les résidents au Royaume-Uni).

Ce produit est garanti contre les vices de fabrication et de matériaux pour une période de deux ans à compter de la date d'achat originale. Yamaha réparera, ou remplacera à sa seule discrétion, le produit défectueux ou les pièces de manière gratuite, dans les conditions mentionnées ci-dessous. Yamaha se réserve le droit de remplacer un produit par un autre de même type et/ou valeur et condition, si le modèle n'est plus fabriqué ou si son remplacement semble plus économique.

Conditions

1. La facture originale ou le bon d'achat (indiquant la date de l'achat, le code du produit et le nom du revendeur) DOIT être fourni avec le produit défectueux et une description détaillée du problème. En l'absence de preuve évidente d'achat, Yamaha se réserve le droit de refuser une réparation gratuite et de renvoyer le produit aux propres frais du client.
2. Le produit DOIT avoir été acheté auprès d'un revendeur AGRÉÉ Yamaha dans la Zone Économique Européenne (EEA) ou en Suisse.
3. Le produit ne doit pas avoir subi de modifications ni de changements, à moins d'une autorisation écrite de Yamaha.
4. Sont exclus de la garantie les points suivants:
 - a. Entretien périodique et réparation ou remplacement de pièces ayant subi une usure ou défaillance normale.
 - b. Dommages résultant de:
 - (1) Réparations effectuées par le client lui-même ou par un tiers non autorisé.
 - (2) Emballage ou manipulation inadéquats lors de l'expédition par le client. Le client doit emballer le produit correctement avant de l'expédier en vue d'une réparation.
 - (3) Mauvaise utilisation, y compris mais sans s'y limiter (a) utilisation du produit dans un autre but ou de façon contraire aux instructions de Yamaha, entretien et entreposage et (b) installation ou emploi du produit sans tenir compte des normes de sécurité ou techniques en vigueur dans le pays d'utilisation.
 - (4) Accidents, foudre, eau, incendie, mauvaise ventilation, fuite des piles ou autres causes indépendantes de Yamaha.
 - (5) Défauts de la chaîne avec laquelle ce produit est utilisé et/ou incompatibilité avec des produits d'autres sociétés.
 - (6) Utilisation d'un produit importé dans la Zone Économique Européenne (EEA) et/ou la Suisse, par une autre société que Yamaha, et non conforme aux standards techniques et aux normes de sécurité du pays d'utilisation, et/ou aux spécifications standard d'un produit vendu par Yamaha dans la Zone Économique Européenne (EEA) et/ou la Suisse.
 - (7) Produits non audiovisuels.
(Les produits soumis à une "Déclaration de Garantie AV de Yamaha" sont indiqués sur notre site Web à l'adresse <http://www.yamaha-hifi.com/> ou <http://www.yamaha-uk.com/> pour les résidents au Royaume-Uni.)
5. En cas de différences entre la garantie du pays d'achat et celle du pays d'utilisation du produit, la garantie du pays d'utilisation du produit entrera en vigueur.
6. Yamaha décline toute responsabilité quant aux pertes de données ou dommages, direct, accessoires ou autres, résultant de la réparation ou du remplacement du produit.
7. Veuillez sauvegarder tous vos réglages et toutes vos données personnelles avant d'expédier votre produit, car Yamaha ne peut être tenu pour responsable des modifications ou pertes de réglages ou de données.
8. Cette garantie n'affecte pas les droits légaux du consommateur garantis par la législation nationale, ni les droits du consommateur envers le revendeur, découlant d'un contrat de vente/achat particulier.

Vorsicht: Vor der bedienung dieses gerätes durchlesen.

- 1 Um optimales Leistungsvermögen sicherzustellen, lesen Sie bitte die Anleitung aufmerksam durch. Bewahren Sie die Anleitung danach für spätere Nachschlagzwecke sorgfältig auf.
- 2 Diese Anlage muß an einem gut belüfteten, kühlen, trockenen und sauberen Ort aufgestellt werden – geschützt vor direkter Sonnenbestrahlung, Wärmequellen, Vibrationen, Staub, Feuchtigkeit und sehr niedrigen Temperaturen. Um eine einwandfreie Wärmeableitung zu gewährleisten, muß an der Oberseite ein Abstand von mindestens 10 cm, rechts und links mindestens 10 cm und ebenfalls 10 cm an der Geräterückseite eingehalten werden.
- 3 Stellen Sie dieses Gerät entfernt von anderen elektrischen Haushaltgeräten, Motoren oder Transformatoren auf, um Brummgeräusche zu vermeiden.
- 4 Setzen Sie dieses Gerät keinen plötzlichen Temperaturänderungen von kalt auf warm aus, und stellen Sie dieses Gerät nicht an Orten mit hoher Luftfeuchtigkeit auf (z.B. in Räumen mit Luftbefeuchtern), um Kondensation im Inneren des Gerätes zu vermeiden, da es anderenfalls zu elektrischen Schlägen, Feuer, Beschädigung dieses Gerätes und/oder zu persönlichen Verletzungen kommen kann.
- 5 Vermeiden Sie die Aufstellung dieses Gerätes an Orten, an welchen Fremdkörper in das Gerät fallen können bzw. an welchen Flüssigkeiten auf das Gerät verschüttet werden können. Stellen Sie auf der Oberseite des Gerätes niemals folgendes auf:
 - Andere Komponenten, da diese Beschädigung und/oder Verfärbung der Oberfläche dieses Gerätes verursachen können.
 - Brennende Objekte (z.B. Kerzen), da diese Feuer, Beschädigung des Gerätes und/oder persönliche Verletzungen verursachen können.
 - Mit Flüssigkeiten gefüllte Behälter, da diese umfallen und die Flüssigkeit auf das Gerät verschütten können, wodurch es zu elektrischen Schlägen für den Anwender und/oder zu Beschädigung des Gerätes kommen kann.
- 6 Decken Sie dieses Gerät niemals mit Zeitungen, Tischdecken, Vorhängen usw. ab, damit die Wärmeabfuhr nicht behindert wird. Falls die Temperatur im Inneren des Gerätes ansteigt, kann es zu Feuer, Beschädigung des Gerätes und/oder zu persönlichen Verletzungen kommen.
- 7 Schließen Sie dieses Gerät erst an eine Wandsteckdose an, nachdem alle anderen Anschlüsse ausgeführt wurden.
- 8 Stellen Sie dieses Gerät niemals mit der Unterseite nach oben auf, da es sonst beim Betrieb zu Überhitzung mit möglichen Beschädigungen kommen kann.
- 9 Wenden Sie niemals Gewalt bei der Bedienung der Schalter, Knöpfe und/oder Kabel an.
- 10 Wenn Sie das Netzkabel von der Wandsteckdose abtrennen, fassen Sie immer den Netzstecker an; ziehen Sie niemals an dem Kabel.
- 11 Reinigen Sie dieses Gerät niemals mit chemisch behandelten Tüchern; anderenfalls kann das Finish beschädigt werden.
- 12 Verwenden Sie nur die für dieses Gerät vorgeschriebene Netzspannung. Falls Sie eine höhere als die vorgeschriebene Netzspannung verwenden, kann es zu Feuer, Beschädigung dieses Gerätes und/oder zu persönlichen Verletzungen kommen. Yamaha kann nicht verantwortlich gemacht werden für Schäden, die auf die Verwendung dieses Gerätes mit einer anderen als der vorgeschriebenen Spannung zurückzuführen sind.
- 13 Um Schäden durch Blitzeinschlag zu vermeiden, ziehen Sie das Netzkabel bei Gewitter ab.
- 14 Versuchen Sie niemals ein Modifizieren oder Ändern dieses Gerätes. Falls eine Wartung erforderlich ist, wenden Sie sich bitte an einen Yamaha-Kundendienst. Das Gehäuse sollte niemals selbst geöffnet werden.
- 15 Falls Sie das Gerät für längere Zeit nicht verwenden (z.B. während der Ferien), ziehen Sie den Netzstecker von der Netzdose ab.
- 16 Stellen Sie dieses Gerät in der Nähe der Steckdose und so, dass der Netzstecker gut zugänglich ist.
- 17 Lesen Sie unbedingt den Abschnitt „Störungsbeseitigung“ in dieser Anleitung durch, um zu erfahren, wie Sie zunächst im Hinblick auf häufige Bedienfehler prüfen, bevor Sie entscheiden, dass das Gerät defekt ist.
- 18 Bevor Sie dieses Gerät an einen anderen Ort transportieren, drücken Sie die POWER-Taste, um das Gerät auszuschalten, und ziehen Sie danach den Netzstecker von der Netzdose ab.
- 19 **VOLTAGE SELECTOR**
(Nur Modelle für Asien und Universalmodell)
Der VOLTAGE SELECTOR an der Rückseite dieses Gerätes muss auf Ihre örtliche Netzspannung eingestellt werden, BEVOR Sie den Netzstecker in die Steckdose einstecken. Die folgenden Netzspannungen werden verwendet:
..... 110/120/220/230–240 V Wechselspannung, 50/60 Hz
- 20 Die Batterien dürfen nicht zu starker Hitze ausgesetzt werden, wie durch Sonnenlicht, Feuer o.ä.

Dieses Gerät ist nicht vom Netz abgetrennt, solange der Netzstecker eingesteckt ist, auch wenn Sie das Gerät selber mit dem Schalter POWER ausschalten.

WARNUNG

UM DIE GEFAHR EINES FEUERS ODER EINES ELEKTROSCHOCKS ZU VERMEIDEN, DARF DAS GERÄT WEDER REGEN NOCH FEUCHTIGKEIT AUSGESETZT WERDEN.

VORSICHT MIT DEM LASER

Dieses Gerät enthält einen Laser. Um unnötige Augenverletzungen zu vermeiden, sollten Sie alle Wartungs- und Reparaturarbeiten einem qualifiziertem Wartungstechniker überlassen.

GEFAHR

Sichtbare Laserstrahlen bei geöffneter Abdeckung. Achten Sie darauf, nicht direkt in den Laserstrahl zu blicken. Wenn dieses Gerät an eine Netzdose angeschlossen ist, blicken Sie niemals in die Öffnung der Disc-Schublade oder in andere Öffnungen.

Die Laser-Komponente in diesem Produkt kann eine Strahlung abgeben, die den Grenzwert der Klasse 1 übersteigt.



Dieses Symbol entspricht der EU-Richtlinie 2002/96/EC.

Dieses Symbol bedeutet, dass elektrische und elektronische Geräte am Ende ihrer Lebensdauer getrennt vom normalen Hausmüll entsorgt werden sollten. Handeln Sie bitte der örtlichen Gesetzgebung entsprechend und entsorgen Sie Ihre alten Produkte nicht über den normalen Hausmüll.

■ Hinweise zu den Batterien

- Wechseln Sie alle Batterien aus, wenn die Reichweite der Fernbedienung merklich nachlässt.
- Verwenden Sie Mignonzellen (AA, R6).
- Achten Sie auf richtige Polarität. Siehe die Abbildung im Batteriefach.
- Nehmen Sie die Batterien aus dem Batteriefach, wenn die Fernbedienung für längere Zeit nicht verwendet werden soll.
- Verwenden Sie niemals alte Batterien gemeinsam mit neuen Batterien.
- Verwenden Sie niemals gleichzeitig Batterien unterschiedlichen Typs (wie z.B. Alkali- und Manganbatterien). Lesen Sie die Aufschrift auf der Verpackung aufmerksam durch, da diese unterschiedlichen Batterietypen gleiche Form und Farbe aufweisen können.
- Falls die Batterien auslaufen sollten, entsorgen Sie diese unverzüglich. Vermeiden Sie eine Berührung des ausgelaufenen Materials, und lassen Sie dieses niemals in Kontakt mit Ihrer Kleidung usw. kommen. Reinigen Sie das Batteriefach gründlich, bevor Sie neue Batterien einsetzen.
- Die Batterien nicht mit dem normalen Haushaltsmüll wegwerfen, sondern in Übereinstimmung mit den örtlichen Vorschriften entsorgen.

■ Handhabung der Fernbedienung

- Der Bereich zwischen der Fernbedienung und diesem Gerät muss frei von Hindernissen sein.
- Achten Sie darauf, dass kein Wasser oder andere Flüssigkeiten auf die Fernbedienung verschüttet werden.
- Lassen Sie die Fernbedienung nicht fallen.
- Belassen oder lagern Sie die Fernbedienung niemals unter den folgenden Bedingungen:
 - Stellen mit hoher Feuchtigkeit, wie zum Beispiel in der Nähe eines Bades
 - Stellen mit hohen Temperaturen, wie zum Beispiel in der Nähe einer Heizung oder eines Ofens
 - Stellen mit extremen niedrigen Temperaturen
 - Staubige Orte
- Setzen Sie den Fernbedienungssensor niemals einer starken Lichtquelle aus, und besonders keiner Beleuchtung durch Inverter-Leuchtstofflampen, da anderenfalls die Fernbedienung vielleicht nicht richtig arbeiten kann. Falls erforderlich, stellen Sie dieses Gerät an einer anderen Stelle außerhalb des direkten Sonnenlichts auf.

Begrenzte Garantie für den Europäischen Wirtschaftsraum (EWR) und die Schweiz

Herzlichen Glückwunsch zur Wahl eines Yamaha-Produkts. In dem unwahrscheinlichen Fall, dass die Garantie für das Yamaha-Produkt in Anspruch genommen werden muss, wenden Sie sich bitte an den Händler, bei dem es gekauft wurde. Wenn dies schwierig ist, wenden Sie sich bitte an die Yamaha-Vertretung in Ihrem Land. Sie können alle Einzelheiten auf unserer Website finden (<http://www.yamaha-hifi.com/> oder <http://www.yamaha-uk.com/> für Einwohner Großbritanniens).

Wir garantieren für einen Zeitraum von zwei Jahren ab ursprünglichem Kaufdatum, dass dieses Produkt frei von Verarbeitungs- oder Materialfehlern ist. Yamaha garantiert im Rahmen der im Folgenden aufgeführten Bedingungen, das fehlerhafte Produkt oder jegliche Teile desselben nach Entscheidung Yamahas zu reparieren oder zu ersetzen, ohne dem Kunden Material- oder Arbeitskosten zu berechnen. Yamaha behält das Recht vor, ein Produkt mit einem der gleichen Art und/oder des gleichen Werts und Zustands zu ersetzen, wenn die Produktion eines Modells eingestellt wurde oder eine Reparatur als unwirtschaftlich betrachtet wird.

Bedingungen

1. Die originale Rechnung oder der Verkaufsbeleg (mit Angabe von Kaufdatum, Produktcode und Händlername) MUSS das defekte Produkt begleiten, zusammen mit einer Beschreibung des Fehlers. Wenn kein eindeutiger Kaufbeleg vorhanden ist, behält Yamaha das Recht vor, den kostenlosen Kundendienst zu verweigern und das Produkt auf Kundenkosten zurückzusenden.
2. Das Produkt MUSS von einem AUTORISIERTEN Yamaha-Händler innerhalb des Europäischen Wirtschaftsraums (EWR) oder der Schweiz gekauft worden sein.
3. Das Produkt darf nicht Modifikationen oder Änderungen unzerzogen worden sein, ausgenommen wenn ausdrücklich von Yamaha autorisiert.
4. Folgendes ist von dieser Garantie ausgenommen:
 - a. Regelmäßige Wartung und Reparatur bzw. Austausch von Teilen aufgrund von normalem Verschleiß.
 - b. Schäden, bewirkt durch:
 - (1) Vom Kunden selber oder von nichtbefugten Dritten ausgeführte Reparaturen.
 - (2) Ungeeignete Verpackung oder Behandlung beim Transport des Produkts vom Kunden. Beachten Sie, dass es in der Verantwortung des Kunden liegt, sicherzustellen, dass das Produkt bei der Einreichung zur Reparatur angemessen verpackt ist.
 - (3) Missbrauch, einschliesslich – aber nicht beschränkt auf (a) Verwendung des Produkts für einen anderen als den vorgesehenen Zweck oder Missachtung von Yamahas Anweisungen zur richtigen Verwendung, Wartung und Lagerung und (b) Aufstellung oder Verwendung des Produkts auf eine Weise, die den technischen oder Sicherheitsstandards am Aufstellungsort widerspricht.
 - (4) Unfälle, Blitzschlag, Wasser, Feuer, falsche Lüftung, Batterielecks oder andere von Yamaha nicht vorhersehbare Ursachen.
 - (5) Defekte an dem System, in dieses Produkt eingebaut wird und/oder Inkompatibilität mit Produkten Dritter.
 - (6) Verwendung eines in den EWR und/oder die Schweiz importierten Produkts durch andere gesetzliche Personen als Yamaha, wobei das Produkt nicht mit den technischen oder Sicherheitsstandards des Verwendungslandes und/oder der Standardspezifikation eines von Yamaha im EWR und/oder der Schweiz verkauften Produkts übereinstimmt.
 - (7) Andere als auf den AV- (audio-visuellen) Bereich bezogene Produkte. (Produkte, die der „Yamaha AV-Garantieerklärung“ unterliegen, sind auf unserer Website bei <http://www.yamaha-hifi.com/> oder <http://www.yamaha-uk.com/> für Einwohner Großbritanniens definiert.)
5. Wo die Garantie zwischen dem Verkaufsland und dem Verwendungsland des Produkts unterscheidet, gilt die Garantie des Verwendungslandes.
6. Yamaha haftet nicht für jegliche entstehende Schäden oder Verluste, weder direkte Folgeschäden oder andere, in einem weiteren Umfang als durch Reparatur oder Austausch dieses Produktes.
7. Bitte sichern Sie jegliche Benutzereinstellungen oder Daten, da Yamaha nicht für Änderung oder Verlust solcher Einstellungen oder Daten haftet.
8. Diese Garantie beeinträchtigt nicht die gesetzlichen Rechte des Kunden unter dem geltenden nationalen Recht oder die Rechte des Kunden gegenüber dem Händler, die aus dem Verkaufs-/Kaufvertrag resultieren.

Observera: Läs detta in nan enheten tas i bruk.

- 1 Läs noga denna bruksanvisning för att kunna ha största möjliga nöje av enheten. Förvara bruksanvisningen nära till hands för framtida referens.
- 2 Installera denna ljudanläggning på ett väl ventilerat, svalt, torrt, rent ställe, och håll den borta från ställen som utsätts för solsken, värmekällor, vibrationer, damm, fukt och/eller kyla. Lämna ett fritt utrymme på minst 10 cm ovanför enheten, minst 10 cm på höger och vänster sida och minst 10 cm på baksidan.
- 3 Placera enheten på behörigt avstånd från andra elapparater, motorer, transformatorer och annat som kan orsaka störningar.
- 4 Utsätt inte enheten för hastiga temperaturväxlingar och placera den inte på ett ställe där luftfuktigheten är hög (t.ex. nära en luftfuktare) då fuktbildning i enheten skapar risk för brand, elstötar, skador på enheten eller personskadorna.
- 5 Placera inte enheten på ett ställe där främmande föremål kan tränga in i den eller där den kan utsättas för droppar eller vattenstänk. Placera aldrig det följande ovanpå enheten:
 - Övriga apparater då sådana kan orsaka skador och/eller missfärgning av enhetens hölje.
 - Brännbara föremål (t.ex. stearinljus) då sådana skapar risk för brand, skador på enheten och/eller personskadorna.
 - Vätskebehållare som kan falla och spilla vätska över enheten, vilket skapar risk för elstötar och/eller skador på enheten.
- 6 Täck aldrig över enheten med en tidning, duk, gardin el.dyl. då detta skapar risk för överhettning. En alltför hög temperatur inuti enheten kan leda till brand, skador på enheten och/eller personskadorna.
- 7 Anslut inte enheten till ett vägguttag förrän samtliga övriga anslutningar slutförts.
- 8 Använd aldrig enheten vänd upp och ned. Detta kan leda till överhettning som orsakar skador.
- 9 Hantera inte tangenter, reglage och kablar onödigt hårdhänt.
- 10 Fatta tag i själva kontakten när nätkabeln kopplas bort från vägguttaget; dra aldrig i kabeln.
- 11 Använd aldrig några kemiska lösningar för rengöring då dessa kan skada ytbehandlingen.
- 12 Använd endast den spänning som står angiven på enheten. Anslutning till en strömkälla med högre spänning än den angivna kan orsaka brand, skador på enheten och/eller personskadorna. Yamaha åtar sig inget ansvar för skador beroende på att enheten används med en spänning utöver den angivna.
- 13 Koppla vid åskväder loss nätkabeln från nätuttaget eller förstärkaren för att skydda förstärkaren från skador på grund av åsknerslag.
- 14 Försök aldrig att utföra egna reparationer. Kontakta en kvalificerad tekniker från Yamaha om servicebehov föreligger. Du får inte under några omständigheter ta av höljet.
- 15 Koppla bort nätkabeln från vägguttaget om enheten inte ska användas under en längre tid (t.ex. under semestern).
- 16 Installera denna enhet nära ett vägguttag och där stickkontakten lätt kan kommas åt.
- 17 Läs avsnittet "Felsökning" i bruksanvisningen för vanliga driftsproblem innan du förutsätter att enheten är söndrig.
- 18 Innan enheten flyttas ska du trycka på POWER nedåt för att stänga av denna enhet och sedan koppla bort nätkabeln från vägguttaget.
- 19 **VOLTAGE SELECTOR**
(Endast modell till Asien och allmän modell)
VOLTAGE SELECTOR (spänningsomkopplare) på denna enhets bakpanel måste ställas in på den lokala nätspänningen FÖRE anslutning till nätuttaget. Spänningarna är:
..... 110/120/220/230–240 V nätspänning, 50/60 Hz
- 20 Utsätt inte batterierna för kraftig värme från exempelvis solljus, eld eller liknande.

Så länge den här enheten är ansluten till vägguttaget, är den inte bortkopplad från nätströmmen, även om enheten stängs av med POWER.

VARNING

UTSÄTT INTE ENHETEN FÖR REGN ELLER FUKT DÅ DETTA SKAPAR RISK FÖR BRAND ELLER ELSTÖTAR.

LASERSÄKERHET

Apparaten använder sig av en laser. På grund av risken för ögonskadorna bör ingen annan än en kvalificerad reparatör öppna höljet eller försöka reparera apparaten.

FARA!

Apparaten avger slig laserstrålning i öppet läge. Undvik direkt ögonkontakt med strålen. Placera inte ögonen i närheten av skivfacket eller någon annan öppning för att titta in i apparaten, medan apparaten är ansluten till ett nätuttag.

Laserkomponenten i denna apparat kan avge en strålning som överskrider gränsvärdet för klass 1.



Den här symbolmarkeringen överensstämmer med EU-direktiv 2002/96/EC.

Den här symbolmarkeringen innebär att elektrisk och elektronisk utrustning, när de tjänat ut, ska kastas bort avskilt från hushållsavfallet. Följ gällande lokala regler och kasta inte bort dina gamla produkter tillsammans med ditt vanliga hushållsavfall.

■ Att observera angående batterierna

- Byt ut alla batteri när du upptäcker att fjärrkontrollens räckvidd minskar.
- Använd batterier av storlek och typ AA/R6/UM-3.
- Kontrollera att batteriets poler är vända åt korrekt håll (se illustrationen inuti batterifacket).
- Ta ut batterierna, om fjärrkontrollen inte ska användas på ett bra tag.
- Använd inte gamla batterier tillsammans med nya.
- Använd inte olika typer av batterier (t.ex. alkaliska batterier och manganbatterier) tillsammans. Läs noga vad som står på batteriförpackningen, eftersom dessa olika typer av batterier kan ha samma form och färg.
- Gör dig av med batterierna omedelbart om de skulle ha läckt. Undvik att vidröra det ämne som har läckt ut, och försök undvika att det kommer i kontakt med kläder etc. Rengör batterifacket noggrant innan nya batterier isätts.
- Kasta inte batterier tillsammans med vanliga sopor, utan avyttra dem i enlighet med lokala bestämmelser.

■ Hantering av fjärrkontrollen

- Inga stora hinder får förekomma mellan fjärrkontrollen och förstärkaren.
- Spill inte vatten eller andra vätskor på fjärrkontrollen.
- Tappa inte fjärrkontrollen.
- Fjärrkontrollen ska inte läggas eller förvaras på platser där följande förhållanden råder:
 - hög luftfuktighet, som t.ex. nära ett bad
 - hög temperatur, som t.ex. nära ett värmeelement eller en kamin
 - extrem kyla
 - mycket dammigt
- Utsätt inte fjärrkontrollens sensor för stark belysning, eftersom det kan göra att fjärrkontrollen inte fungerar ordentligt. Undvik särskilt inverterat ljus från en lysrörsampa. Flytta vid behov förstärkaren för att skydda den från direkt ljus.

Begränsad garanti inom EES-området och Schweiz

Tack för att du har valt en produkt från Yamaha. Var god kontakta återförsäljaren av produkten, om din Yamaha-produkt av någon oförutsedd anledning kräver garantiservice. Var god kontakta Yamahas representantkontor i ditt land, om något problem uppstår. Fullständig information återfinns på vår webbplats (<http://www.yamaha-hifi.com/> eller <http://www.yamaha-uk.com/> för boende i Storbritannien).

Produkten garanteras vara felfri när det gäller utförande och material i en period på två år från ursprungligt inköpsdatum. Yamaha åtar sig att, i enlighet med nedanstående villkor, reparera, eller efter eget gottfinnande byta ut, en felaktig produkt eller någon av dess delar, utan att debitera för delar eller arbete. Yamaha förbehåller sig rätten att byta ut en produkt mot en av liknande typ och/eller värde och skick, då en viss modell har upphört eller anses oekonomisk att reparera.

Villkor

1. Ursprunglig faktura eller ursprungligt försäljningskvitto (där inköpsdatum, produktkod och återförsäljarens namn står angivet) MÅSTE följa med den felaktiga produkten, tillsammans med uppgifter om aktuellt fel. I avsaknad av ett tydligt bevis på inköp förbehåller sig Yamaha rätten att vägra erbjuda avgiftsfri service och produkten kan då komma att återsändas på kundens bekostnad.
2. Produkten MÅSTE vara köpt av en AUKTORISERAD Yamaha-återförsäljare i ett EES-land eller Schweiz.
3. Produkten får inte ha blivit utsatt för någon modifiering eller förändring, såvida inte skriftligt tillstånd för detta erhållits av Yamaha.
4. Denna garanti inkluderar ej följande:
 - a. Periodiskt underhåll och reparation eller utbyte av delar på grund av normal förslitning.
 - b. Skada orsakad av:
 - (1) Reparation utförd av kunden själv eller av en icke-auktoriserad tredje part.
 - (2) Bristfällig emballering eller ovarsam hantering under transporten av produkten från kunden. Observera att det är kundens ansvar att se till att produkten är ordentligt emballerad, när produkten sänds in för reparation.
 - (3) Felaktig användning, inklusive men ej begränsat till (a) underlåtenhet att använda produkten för dess normala syfte eller i enlighet med Yamahas anvisningar för korrekt användning, underhåll och förvaring och (b) installation eller användning av produkten på ett sätt som är oförenligt med de tekniska eller säkerhetsmässiga normer som gäller i det land där produkten används.
 - (4) Olycka, åska, vatten, brand, dålig ventilation, batteriläckage eller någonting annat utanför Yamahas kontroll.
 - (5) Fel på det system som denna produkt införlivas i och/eller inkompatibilitet med tredje parts produkter.
 - (6) Användning av en produkt importerad till ett EES-land och/eller Schweiz, ej av Yamaha, där den produkten inte är i överensstämmelse med de tekniska eller säkerhetsmässiga normer som gäller i användarlandet och/eller med standardspecifikationen för en produkt såld av Yamaha i EES-området och/eller Schweiz.
 - (7) Produkter utan audiovisuell anknytning.
(Produkter föremål för "Yamaha AV Guarantee Statement" definieras på vår webbplats: <http://www.yamaha-hifi.com/> eller <http://www.yamaha-uk.com/> för boende i Storbritannien.)
5. Om garantin skiljer sig åt mellan inköpslandet och användarlandet för produkten, så ska den garanti som gäller i användarlandet tillämpas.
6. Yamaha kan ej hållas ansvarigt för några förluster eller skador, vare sig direkta, indirekta eller av annat slag, utom reparationen eller utbytet av produkten.
7. Se till att säkerhetskopiera eventuella egna inställningar eller data, eftersom Yamaha inte kan hållas ansvarigt för några ändringar eller förluster av sådana inställningar eller data.
8. Denna garanti påverkar ej konsumentens lagstadgade rättigheter enligt gällande nationella lagar eller konsumentens rättigheter gentemot återförsäljaren, vilka uppkommit genom gällande försäljnings/köpekontrakt.

Attenzione: Prima di usare quest'unità

- 1 Per assicurarsi le migliori prestazioni dell'unità, leggere questo manuale per intero. Conservarlo poi in un luogo sicuro per poterlo riutilizzare al momento del bisogno.
- 2 Installare questo sistema audio in un luogo ben ventilato, asciutto e pulito, lontano da luce solare diretta, sorgenti di calore, vibrazioni, polvere, umidità e/o temperature estreme. Per garantire una buona ventilazione, lasciare sempre almeno 10 cm di spazio superiormente, 10 cm sulla destra e la sinistra e 10 cm sul retro dell'unità.
- 3 Installare quest'unità lontano da elettrodomestici, motori o trasformatori, perché possono causare rumori.
- 4 Non esporre quest'unità a variazioni repentine della temperatura ambiente e non installarle in stanze molto umide (ad esempio dove è in uso un umidificatore) per evitare che in essa si formi condensa, che a sua volta può causare folgorazioni, incendi, guasti e/o ferite.
- 5 Evitare di installare l'unità in una posizione dove possa su di essa possano cadere oggetti o liquidi. Inoltre, non posare su di essa:
 - Altri componenti, dato che possono causare danni e/o lo scolorimento della superficie dell'apparecchio.
 - Candele o altri oggetti che bruciano, dato che possono causare incendi, danni all'unità e/o ferite a persone.
 - Contenitori di liquidi, dato che possono cadere e causare folgorazioni all'utente e guasti a quest'unità.
- 6 Non coprire quest'unità con giornali, tovaglie, tende o altro per non impedirne la dispersione del calore. Se la temperatura al suo interno dovesse salire, può causare incendi, guasti e/o ferite.
- 7 Non collegare quest'unità ad una presa di corrente sino a che tutti i suoi collegamenti sono completi.
- 8 Non usare l'unità capovolta. Potrebbe surriscaldarsi e guastarsi.
- 9 Non agire con forza eccessiva su interruttori, manopole e/o cavi.
- 10 Per scollegare un cavo, tirare la spina e mai il cavo stesso.
- 11 Non pulire mai quest'unità con solventi ed altre sostanze chimiche. Essi possono danneggiarne le finiture.
- 12 Usare solo corrente elettrica del voltaggio indicato sull'adesivo apposto ad esso affisso. L'uso di voltaggi superiori è pericoloso e può causare incendi, guasti e/o ferite. Yamaha non può venire considerata responsabile di danni risultanti dall'uso di quest'unità con un voltaggio superiore a quello prescritto.
- 13 Per evitare danni dovuti a fulmini, scollegare il cavo di alimentazione dalla presa di corrente durante temporali.
- 14 Non tentare di modificare o riparare quest'unità. Affidare qualsiasi riparazione a personale qualificato Yamaha. In particolare, non aprirla mai per alcun motivo.
- 15 Se si prevede di non dover fare uso di quest'unità per qualche tempo, ad esempio per andare in vacanza, scollegarne la spina di alimentazione dalla presa di corrente.
- 16 Installare quest'unità vicino ad una presa di corrente alternata ed in una posizione in cui la spina di alimentazione possa venire raggiunta facilmente.
- 17 Accertarsi di leggere la sezione "Diagnostica" del manuale dell'utente sui comuni problemi di funzionamento prima di concludere che l'unità è difettosa.
- 18 Prima di spostare questa unità, premere POWER in basso per spegnere questa unità e quindi scollegare la spina di alimentazione a corrente alternata dalla presa di rete a corrente alternata.
- 19 VOLTAGE SELECTOR (Solo modelli per Asia e Generale) Il selettore di voltaggio VOLTAGE SELECTOR sul pannello posteriore dell'unità deve essere impostato per il voltaggio locale PRIMA di collegarsi all'alimentazione CA. I voltaggi sono:
.....C.a. da 110/120/220/230-240 V, 50/60 Hz
- 20 Le batterie non devono venire esposte a calore eccessivo, ad esempio luce solare diretta, fiamme, ecc.

Fintanto che quest'unità è collegata ad una presa di corrente alternata, non è del tutto spenta anche se la si spegne con il comando POWER.

AVVERTENZA

PER RIDURRE IL RISCHIO DI INCENDI E FOLGORAZIONI, NON ESPORRE QUEST'UNITÀ A PIOGGIA O UMIDITÀ.

SICUREZZA DEL LASER

Quest'unità impiega un laser. Poiché è possibile causare lesioni agli occhi, solo personale qualificato di assistenza tecnica deve aprire la copertura o cercare di riparare questo dispositivo.

PERICOLO

Radiazioni laser visibili quando aperto. Evitare l'esposizione diretta al raggio laser. Quando quest'unità è collegata ad una presa a muro, non avvicinare gli occhi all'apertura del cassetto del disco o ad altre aperture per guardare all'interno.

Il laser contenuto in questo prodotto è in grado di emettere radiazioni eccedenti i limiti fissati per la Classe 1.



Il simbolo utilizzato è conforme alla norma europea 2002/96/EC.

Questo simbolo significa che gli equipaggiamenti elettrici ed elettronici giunti alla fine del loro ciclo di vita, devono essere smaltiti separatamente dai vostri normali rifiuti.

Agite secondo la vostra normativa locale e non smaltite i vostri vecchi prodotti con i rifiuti normali di casa.

■ Note sulle batterie

- Cambiare tutte le batterie se si nota che il campo di funzionamento del telecomando diminuisce.
- Usare batterie AA, R6, UM-3.
- Controllare che le polarità delle batterie siano orientate correttamente. Controllare in proposito le illustrazioni dell'interno del vano batterie.
- Rimuovere le batterie se si ritiene di non dover usare il telecomando per qualche tempo.
- Non mescolare batterie vecchie e nuove.
- Non usare insieme batterie di tipo differente, ad esempio alcaline e al manganese. Leggere attentamente le avvertenze sulla batteria, dato che batterie diverse possono avere lo stesso colore e la stessa forma.
- Se le batterie perdono, gettarle immediatamente. Non toccare l'acido da esse uscito e non farlo entrare in contatto con abiti ed altri oggetti. Pulire immediatamente e accuratamente il vano batterie, e solo allora installare batterie nuove.
- Non gettare le batterie nelle immondizie. Sbarazzarsene in accordo con le norme di legge.

■ Trattamento del telecomando

- L'area fra il telecomando e quest'unità deve essere libera da ostacoli.
- Non versare acqua o altri liquidi sul telecomando.
- Non far cadere il telecomando.
- Non lasciare o custodire il telecomando in ambienti come i seguenti:
 - luoghi molto umidi, ad esempio un bagno
 - luoghi esposti a temperature elevate, ad esempio vicino a stufe o caloriferi
 - luoghi estremamente freddi
 - luoghi polverosi
- Non esporre il sensore del telecomando a luce intensa, in particolare proveniente da luci a fluorescenza, altrimenti il telecomando potrebbe non funzionare più bene. Se necessario allontanare quest'unità dalla luce.

Garanzia limitata per l'Area Economica Europea (AEE) e la Svizzera

Vi ringraziamo per aver scelto un prodotto Yamaha. Nel caso raro in cui il vostro prodotto abbia bisogno di riparazioni in garanzia, entrare in contatto con il negozio in cui era stato acquistato. Se si avessero difficoltà, entrare in contatto con il rappresentante di Yamaha per il proprio paese. Sono disponibili maggiori dettagli nel nostro sito (<http://www.yamaha-hifi.com/> o <http://www.yamaha-uk.com/>, per i residenti nel Regno Unito).

Il prodotto viene garantito esente da difetti di fabbricazione e di materiali per un periodo di due anni a partire dalla data di acquisto originale. Yamaha si impegna, entro i limiti delle condizioni illustrate di seguito, a riparare (o sostituire, a discrezione esclusiva di Yamaha) il prodotto difettoso o qualsiasi sua parte senza alcun addebito per le parti o per il lavoro. Yamaha si riserva il diritto di sostituire un prodotto con uno di tipo, valore e/o condizione simile nel caso un modello particolare non sia più in produzione o sia considerato troppo costoso da riparare.

Condizioni della garanzia

1. La fattura o ricevuta originale di pagamento (recante la data di acquisto, il numero di codice del prodotto e il nome del negozio di acquisto) DEVE accompagnare sempre il prodotto difettoso unita ad una dichiarazione descrivente il problema accusato. In mancanza di prova esaustiva dell'avvenuto acquisto, Yamaha si riserva in diritto di rifiutare di fornire riparazioni gratuite ed il prodotto può venire restituito a spese dell'utente.
2. Il prodotto DEVE esser stato acquistato da un rivenditore Yamaha AUTORIZZATO all'interno dell'Area Economica Europea (EEA) o in Svizzera.
3. Il prodotto non deve esser modificato o alterato se non dietro autorizzazione scritta di Yamaha.
4. Quanto segue viene escluso dalla presente garanzia:
 - a. Manutenzione periodica e riparazioni o sostituzione di pezzi dovute a normale invecchiamento.
 - b. Danni risultato di:
 - (1) Riparazioni eseguite dal cliente stesso o da terze parti non autorizzate.
 - (2) Imballaggio o trattamento inadeguato nel corso della spedizione del prodotto da parte del cliente. Tener presente che, al momento dell'invio del prodotto per riparazioni, è responsabilità del cliente l'assicurarsi che questo sia imballato adeguatamente.
 - (3) L'uso scorretto, compresi ma senza limitazioni (a) il mancato uso del prodotto per il suo scopo previsto o in accordo con le istruzioni di Yamaha per l'uso corretto, la manutenzione e la conservazione e (b) l'installazione o uso del prodotto in modo non conforme agli standard tecnici e di sicurezza in vigore nel paese di uso.
 - (4) Gli incidenti, i fulmini, l'acqua, gli incendi, la ventilazione scorretta, la perdita di acido dalle batterie o qualsiasi altra causa non sotto il controllo di Yamaha.
 - (5) Difetti di un sistema nel quale il prodotto è stato incorporato e/o incompatibilità con prodotti di terze parti.
 - (6) L'uso di un prodotto importato nella EEA e/o in Svizzera, non prodotto da Yamaha, nel caso il prodotto non sia conforme agli standard tecnici o di sicurezza del paese di uso e/o alle caratteristiche tecniche standard dei prodotti Yamaha da vendersi nell'AEE e/o in Svizzera.
 - (7) Prodotti non legati al campo AV (Audio Video).
(I prodotti soggetti allo "Yamaha AV Guarantee Statement" sono definiti nel sito <http://www.yamaha-hifi.com/>, o <http://www.yamaha-uk.com/> nel caso dei residenti nel Regno Unito.)
5. Dove i termini della garanzia differiscono fra il paese di acquisto e il paese di uso del prodotto, vale la garanzia del paese di uso.
6. Yamaha non può venire considerata responsabile di perdite o danni, diretti, indiretti, consequenziali o di altro tipo, se non in termini di riparazione o sostituzione del prodotto.
7. Fare una copia di riserva di impostazioni o dati personalizzati, dato che Yamaha non può venire considerata responsabile di qualsiasi alterazione o perdita di tali impostazioni o dati.
8. Questa garanzia non influenza i diritti statuari dell'utente stabiliti dalle leggi applicabili in vigore o i diritti sul negoziante derivanti dal contratto di vendita/acquisto.

Precaución: Lea las indicaciones siguientes antes de utilizar este aparato.

- 1 Para asegurar el mejor rendimiento de este aparato, lea atentamente este manual. Y luego guárdelo en un lugar seguro para poder consultarlo en el futuro en caso de ser necesario.
- 2 Instale este sistema de sonido en un lugar bien ventilado, fresco, seco y limpio, alejado de la luz solar directa, fuentes de calor, vibración, polvo, humedad y/o frío. Deje un espacio de ventilación de 10 cm como mínimo en la parte superior de la unidad, 10 cm por los lados derecho e izquierdo y 10 cm por la parte trasera.
- 3 Coloque este aparato lejos de otros aparatos eléctricos, motores o transformadores, para evitar así los ruidos de zumbido.
- 4 No exponga este aparato a cambios bruscos de temperaturas, del frío al calor, ni lo coloque en lugares muy húmedos (una habitación con deshumidificador, por ejemplo), para impedir así que se forme condensación en su interior, lo que podría causar una descarga eléctrica, un incendio, daños en el aparato y/o lesiones a las personas.
- 5 Evite instalar este aparato en un lugar donde puedan caerle encima objetos extraños o donde quede expuesto al goteo o a la salpicadura de líquidos. Encima de este aparato no ponga:
 - Otros componentes, porque pueden causar daños y/o decoloración en la superficie de este aparato.
 - Objetos con fuego (velas, por ejemplo), porque pueden causar un incendio, daños en el aparato y/o lesiones a las personas.
 - Recipientes con líquidos, porque pueden caerse y derramar el líquido, causando descargas eléctricas al usuario y/o dañando el aparato.
- 6 No tape este aparato con un periódico, mantel, cortina, etc. para no impedir el escape del calor. Si aumenta la temperatura en el interior del aparato, esto puede causar un incendio, daños en el aparato y/o lesiones a las personas.
- 7 No enchufe este aparato a una toma de corriente hasta después de haber terminado todas las conexiones.
- 8 No ponga el aparato al revés. Podría recalentarse y posiblemente causar daños.
- 9 No utilice una fuerza excesiva con los conmutadores, los controles y/o los cables.
- 10 Cuando desconecte el cable de la alimentación de la toma de corriente, sujete la clavija y tire de ella; no tire del propio cable.
- 11 No limpie este aparato con disolventes químicos porque podría estropear el acabado.
- 12 Utilice solamente la tensión especificada en este aparato. Utilizar el aparato con una tensión superior a la especificada resulta peligroso y puede producir un incendio, daños en el aparato y/o lesiones a las personas. Yamaha no se hará responsable de ningún daño debido al uso de este aparato con una tensión diferente de la especificada.
- 13 Para evitar daños debidos a rayos, durante una tormenta eléctrica, mantenga el cable de alimentación desconectado de la toma de corriente de la pared o de la unidad.
- 14 No intente modificar ni arreglar este aparato. Póngase en contacto con el personal de servicio Yamaha cualificado cuando necesite realizar alguna reparación. La caja no deberá abrirse nunca por ninguna razón.
- 15 Cuando no piense utilizar este aparato durante mucho tiempo (es decir, cuando se ausente de casa por vacaciones, etc.) desconecte el cable de alimentación de la toma de corriente.
- 16 Instale esta unidad cerca de la toma de CA y donde se pueda alcanzar fácilmente la clavija de alimentación de CA.
- 17 Asegúrese de leer la sección “Solución de problemas” del manual del usuario sobre los errores comunes de operación antes de dar por concluido que su aparato está averiado.
- 18 Antes de trasladar este aparato, pulse POWER hacia abajo para desconectar la alimentación del mismo, y luego desconecte el cable de alimentación de CA de la toma de corriente de CA.
- 19 **VOLTAGE SELECTOR**
(Modelos de Asia y Generale solamente)
El selector VOLTAGE SELECTOR del panel posterior de este aparato deberá ponerse en la posición correspondiente a la tensión empleada en su localidad ANTES de conectar el aparato a la red de alimentación de CA. Las tensiones son:
.....CA 110/120/220/230–240 V, 50/60 Hz
- 20 Las pilas no deberán exponerse a un calor excesivo como, por ejemplo, la luz solar directa, el fuego o algo similar.

Aunque usted apague esta unidad con POWER, esta unidad no se desconectará de la fuente de alimentación de CA mientras esté conectada a la toma de CA.

ADVERTENCIA

PARA REDUCIR EL RIESGO DE INCENDIO O DESCARGA ELÉCTRICA, NO EXPONGA ESTA UNIDAD A LA LLUVIA NI A LA HUMEDAD.

SEGURIDAD CONTRA LA RADIACIÓN LÁSER

Esta unidad utiliza rayos láser. Debido a la posibilidad de que se produzcan daños en los ojos, la extracción de la cubierta de la unidad o las reparaciones solamente deberán ser realizadas por un técnico cualificado.

PELIGRO

Esta unidad emite radiación láser visible cuando se abre. Evite la exposición directa a los rayos láser. Cuando se conecte esta unidad a una toma de corriente no acerque sus ojos a la abertura de la bandeja del disco ni a otras aberturas para mirar al interior.

El componente láser de este producto es capaz de emitir radiación que sobrepasa el límite establecido para la clase 1.



Este símbolo sigue la normativa de la UE 2002/96/EC.

Este símbolo significa que el equipamiento eléctrico y electrónico y sus residuos no deben desecharse junto con la basura doméstica.

Le rogamos que haga caso de la normativa local y no deseche los productos viejos junto con la basura doméstica.

■ Notas acerca de las pilas

- Cambie todas las pilas si nota que el margen de control del mando a distancia se reduce.
- Use pilas AA, R6, UM-3.
- Asegúrese de que las polaridades estén bien puestas. Vea la ilustración del interior del compartimiento de las pilas.
- Quite las pilas si no va a usar el mando a distancia durante mucho tiempo.
- No utilice pilas viejas y nuevas juntas.
- No utilice juntas pilas de tipos diferentes (alcalinas y de manganeso, por ejemplo). Lea las indicaciones de las pilas con atención porque hay tipos diferentes que pueden tener la misma forma y color.
- Si las pilas tienen fugas, tírelas inmediatamente. Evite tocar el material que sale de las pilas o dejar que éste entre en contacto con ropas, etc. Limpie a fondo el compartimiento de las pilas antes de instalar otras nuevas.
- No tire las pilas con la basura de casa; disponga correctamente de ellas según los reglamentos de su localidad.

■ Manejo del mando a distancia

- En el área entre el mando a distancia y esta unidad no deberá haber obstáculos.
- No derrame agua u otros líquidos en el mando a distancia.
- No deje caer el mando a distancia.
- No deje ni guarde el mando a distancia en las condiciones siguientes:
 - lugares de humedad alta como, por ejemplo, cerca de un baño
 - lugares de alta temperatura como, por ejemplo, cerca de una calefacción o estufa
 - lugares con temperaturas demasiado bajas
 - lugares polvorientos
- No exponga el sensor del mando a distancia a una luz intensa, y en particular a una lámpara fluorescente tipo inversor, o el mando a distancia no funcionará bien. Si es necesario, aleje esta unidad de la luz directa.

Garantía limitada para el Área Económica Europea (AEE) y Suiza

Gracias por haber elegido un producto Yamaha. En el caso poco probable de que su producto Yamaha necesite el servicio que concede la garantía, póngase en contacto por favor con el concesionario a quien adquirió el producto. Si usted tiene alguna dificultad, póngase en contacto por favor con la oficina representativa de Yamaha en su país. Podrá encontrar todos los detalles necesarios en nuestros sitios Web (<http://www.yamaha-hifi.com/> o <http://www.yamaha-uk.com/> para los residentes del Reino Unido).

El producto tiene una garantía de dos años, a partir de la fecha de la compra original, que cubre las reparaciones de las averías que pueda tener debido a defectos en la mano de obra o en los materiales empleados en su fabricación. Yamaha se compromete, sujeto a las condiciones listadas más abajo, a reparar el producto o cualquier pieza (o piezas) que tenga defectos, o a sustituirlo, a discreción de Yamaha, sin cobrar ningún honorario por las piezas o la mano de obra. Yamaha se reserva el derecho de reemplazar un producto por otro de clase y/o precio y condiciones similares, en el caso de que éste no se fabrique más o se considere que las reparaciones resultan poco económicas.

Condiciones de la garantía

1. El producto defectuoso DEBERÁ ir acompañado de la factura o recibo de venta original (que muestre la fecha de la compra, el código del producto y el nombre del concesionario), junto con una explicación que describa detalladamente la avería. Si falta esta prueba clara de la compra, Yamaha se reserva el derecho a no proveer el servicio de reparaciones gratis, y el producto podrá ser devuelto al cliente corriendo éste con todos los gastos relacionados con el envío.
2. El producto DEBERÁ haber sido adquirido en el establecimiento de un concesionario Yamaha AUTORIZADO dentro del Área Económica Europea (AEE) o Suiza.
3. El producto no deberá haber sido sometido a ninguna modificación ni alteración, a menos que ésta haya sido autorizada por escrito por Yamaha.
4. De esta garantía se excluye lo siguiente:
 - a. El mantenimiento periódico y la reparación o sustitución de piezas debidos al desgaste natural.
 - b. Los daños debidos a:
 - (1) Reparaciones realizadas por el propio cliente o por un tercero que no cuente con ninguna autorización.
 - (2) Embalaje inadecuado o maltrato, cuando el producto está siendo transportado desde el lugar de residencia del cliente. Tenga en cuenta que el cliente es el responsable de embalar el producto adecuadamente cuando éste es devuelto para ser reparado.
 - (3) Mal uso, incluyendo, pero sin limitarse a: (a) no usar el producto de forma normal o no seguir las instrucciones de uso, mantenimiento y almacenamiento apropiadas indicadas por Yamaha, y (b) instalación o uso del producto de forma inconsistente con las normas técnicas o de seguridad vigentes en el país donde éste se utiliza.
 - (4) Accidentes, rayos, agua, fuego, ventilación inadecuada, fuga de pilas o cualquier otra causa fuera del control de Yamaha.
 - (5) Defectos del sistema en el que se incorpora este producto e/o incompatibilidad con productos de terceros.
 - (6) Uso de un producto importado en la EEA y/o Suiza, no por Yamaha, donde ese producto no cumple con las normas técnicas o de seguridad del país donde se usa y/o con la especificación estándar de un producto vendido por Yamaha en la EEA y/o en Suiza.
 - (7) Productos que no están relacionados con AV (audiovisual).
(Los productos sujetos a la "Declaración de Garantía de AV de Yamaha" se definen en nuestro sitio Web <http://www.yamaha-hifi.com/> o <http://www.yamaha-uk.com/> para los residentes del Reino Unido.)
5. Cuando las garantías del país donde se compra el producto y del país donde éste se usa son diferentes se aplicará la garantía del país donde se usa el producto.
6. Yamaha no se hará responsable de ninguna pérdida o daño directo, emergente o de cualquier otro tipo; sólo se hará responsable de la reparación o sustitución del producto.
7. Haga una copia de seguridad de cualquier configuración o datos personalizados, ya que Yamaha no se hará responsable de ninguna alteración o pérdida que tal configuración o datos puedan sufrir.
8. Esta garantía no afecta a los derechos legales del consumidor bajo las leyes nacionales aplicables vigentes, ni a los derechos del consumidor contra el concesionario surgidos de su contrato de venta/compra.

Let op: Lees het volgende voor u dit toestel in gebruik neemt.

- 1 Om er zeker van te kunnen zijn dat u de optimale prestaties uit uw toestel haalt, dient u deze handleiding zorgvuldig door te lezen. Bewaar de handleiding op een veilige plek zodat u er later nog eens iets in kunt opzoeken.
- 2 Installeer dit toestel op een goed geventileerde, koele, droge, schone plek – uit direct zonlicht, uit de buurt van warmtebronnen, trillingen, stof, vocht en/of kou. Zorg voor een ventilatieruimte van tenminste 10 cm ruimte aan de bovenkant, 10 cm aan de rechter- en linkerkant en 10 cm aan de achterkant van dit toestel.
- 3 Plaats dit toestel uit de buurt van andere elektrische apparatuur, motoren of transformatoren om storend gebrom te voorkomen.
- 4 Stel dit toestel niet bloot aan plotselinge temperatuurswisselingen van koud naar warm en plaats het toestel niet in een omgeving met een hoge vochtigheidsgraad (bijv. in een ruimte met een luchtbevochtiger) om te voorkomen dat zich binnenin het toestel condens vormt, wat zou kunnen leiden tot elektrische schokken, brand, schade aan dit toestel en/of persoonlijk letsel.
- 5 Vermijd plekken waar andere voorwerpen op het toestel kunnen vallen, of waar het toestel bloot staat aan druppelende of spattende vloeistoffen. Plaats de volgende dingen niet bovenop dit toestel:
 - Andere componenten, daar deze schade kunnen veroorzaken en/of de afwerking van dit toestel kunnen doen verkleuren.
 - Brandende voorwerpen (bijv. kaarsen), daar deze brand, schade aan dit toestel en/of persoonlijk letsel kunnen veroorzaken.
 - Voorwerpen met vloeistoffen, daar deze elektrische schokken voor de gebruiker en/of schade aan dit toestel kunnen veroorzaken wanneer de vloeistof daaruit in het toestel terecht komt.
- 6 Dek het toestel niet af met een krant, tafellaken, gordijn enz. zodat de koeling niet belemmerd wordt. Als de temperatuur binnenin het toestel te hoog wordt, kan dit leiden tot brand, schade aan het toestel en/of persoonlijk letsel.
- 7 Steek de stekker van dit toestel pas in het stopcontact als alle aansluitingen gemaakt zijn.
- 8 Gebruik het toestel niet wanneer het ondersteboven is geplaatst. Het kan hierdoor oververhit raken wat kan leiden tot schade.
- 9 Gebruik geen overdreven kracht op de schakelaars, knoppen en/of snoeren.
- 10 Wanneer u de stekker uit het stopcontact haalt, moet u aan de stekker zelf trekken, niet aan het snoer.
- 11 Maak dit toestel niet schoon met chemische oplosmiddelen; dit kan de afwerking beschadigen.
- 12 Gebruik alleen het op dit toestel aangegeven voltage. Gebruik van dit toestel bij een hoger voltage dan aangegeven is gevaarlijk en kan leiden tot brand, schade aan het toestel en/of persoonlijk letsel. Yamaha aanvaardt geen aansprakelijkheid voor enige schade veroorzaakt door gebruik van dit toestel met een ander voltage dan hetgeen aangegeven staat.
- 13 Om schade als gevolg van blikseminslag te voorkomen, dient u de stekker uit het stopcontact te halen wanneer het onweert.
- 14 Probeer niet zelf wijzigingen in dit toestel aan te brengen of het te repareren. Neem contact op met erkend Yamaha servicepersoneel wanneer u vermoedt dat het toestel reparatie heeft. Probeer in geen geval de behuizing open te maken.
- 15 Wanneer u dit toestel voor langere tijd niet zult gebruiken (bijv. vakantie), dient u de stekker uit het stopcontact te halen.
- 16 Installeer dit toestel in de buurt van een stopcontact op een plek waar u de stekker en het stopcontact gemakkelijk kunt bereiken.
- 17 Lees het hoofdstuk “Oplossen van problemen” in de handleiding over veel voorkomende vergissingen bij de bediening voor u de conclusie trekt dat het toestel een storing of defect vertoont.
- 18 Voor u dit toestel verplaatst, dient u POWER naar beneden te drukken om dit toestel uit te schakelen, waarna u de stekker uit het stopcontact dient te halen.
- 19 **VOLTAGE SELECTOR**
(Alleen modellen voor Azië en Algemene modellen)
De VOLTAGE SELECTOR op het achterpaneel van dit toestel moet worden ingesteld op de ter plekke gebruikte netspanning VOOR u de stekker in het stopcontact steekt. De geschikte voltages zijn als volgt:
..... 110/120/220/230–240 V, 50/60 Hz wisselstroom
- 20 De batterijen mogen niet worden blootgesteld aan hitte, zoals door direct zonlicht, vuur of iets dergelijks.

Zolang dit toestel is aangesloten op het stopcontact, is de stroomvoorziening niet afgesloten, ook niet wanneer u het toestel uitschakelt met POWER.

WAARSCHUWING

OM DE RISICO'S VOOR BRAND OF ELEKTRISCHE SCHOKKEN TE VERMINDEREN, MAG U DIT TOESTEL IN GEEN GEVAL BLOOTSTELLEN AAN VOCHT OF REGEN.

VEILIGHEIDSGEGEVINGEN BETREFFENDE DE LASER

Dit apparaat is voorzien van een laser. Om oogletsel te voorkomen, mag u het verwijderen van de afdekking en het uitvoeren van reparaties aan deze inrichting uitsluitend door een bevoegde servicemonteur laten uitvoeren.

GEVAAR

Zichtbare laserstraling indien geopend. Voorkom rechtstreekse blootstelling aan de laserstraal. Als dit toestel is aangesloten op een stopcontact, houdt u uw ogen niet dicht bij de opening van de disclade en andere openingen om naar binnen te kijken.

De laser component in dit product is in staat stralen te produceren die de limiet voor Klasse 1 overstijgen.



Dit symbool stemt overeen met de EU-richtlijn 2002/96/EC.

Dit symbool betekent dat elektrische en elektronische apparaten aan het einde van hun levensduur moeten worden aangeboden voor gescheiden afvalverzameling.

Leef de plaatselijke voorschriften na en bied uw oude producten niet aan bij het gewone huisvuil.

■ Opmerkingen over batterijen

- Verwissel alle batterijen wanneer u merkt dat het bereik van de afstandsbediening minder wordt.
- Gebruik AA, R6, UM-3 batterijen.
- Zorg ervoor dat de polen de goede kant op zitten. Bekijk daarvoor de afbeelding binnenin het batterijvak.
- Haal de batterijen eruit wanneer u de afstandsbediening langere tijd niet zult gebruiken.
- Gebruik geen oude en nieuwe batterijen door elkaar.
- Gebruik geen verschillende soorten batterijen door elkaar (alkali en gewone (mangaan) batterijen bijvoorbeeld). Lees de informatie op de verpakking aandachtig door, want de verschillende soorten batterijen kunnen erg op elkaar lijken.
- Als de batterijen zijn gaan lekken, moet u ze onmiddellijk weggooien. Raak het uit de batterijen gelekte materiaal niet aan en zorg ervoor dat het niet op uw kleding enz. komt. Maak het batterijvak goed schoon voor u er nieuwe batterijen in doet.
- Gooi batterijen nooit samen met gewoon huishoudelijk afval weg; neem bij het weggooien van batterijen de plaatselijk geldende regelgeving in acht.

■ Omgaan met de afstandsbediening

- Er mogen zich geen grote obstakels bevinden tussen de afstandsbediening en het te bedienen toestel.
- Mors geen water of andere vloeistoffen op de afstandsbediening.
- Laat de afstandsbediening niet vallen.
- Laat de afstandsbediening niet liggen en bewaar hem niet op de volgende plekken:
 - zeer vochtige plekken, bijvoorbeeld bij een bad
 - plekken waar de temperatuur hoog kan oplopen, zoals naast de verwarming of kachel
 - heel koude plekken
 - stoffige plekken
- Stel de afstandsbediening niet bloot aan sterke verlichting, in het bijzonder van TL lampen en dergelijke; anders is het mogelijk dat de afstandsbediening niet goed werkt. Indien nodig dient u dit toestel uit direct licht te zetten.

Beperkte garantie voor de Europese Economische Ruimte en Zwitserland

Hartelijk dank dat u een Yamaha product heeft gekozen. Mocht uw Yamaha product onverhoopt service of reparatie onder de garantie behoeven, dan verzoeken wij u contact op te nemen met de dealer van wie u het toestel in kwestie gekocht heeft. Als u problemen ondervindt, kunt u contact opnemen met de Yamaha vertegenwoordiging in uw land. De volledige gegevens hiervoor kunt u vinden op onze website (<http://www.yamaha-hifi.com/> of <http://www.yamaha-uk.com/> voor inwoners van het V.K.).

Wij garanderen dat dit product vrij is van fabricage- en materiaalfouten voor een periode van twee jaar, te rekenen vanaf de datum van de oorspronkelijke aankoop. Yamaha zal, onder de hieronder vermelde voorwaarden, het defecte product, onderdeel of de defecte onderdelen laten repareren of, naar keuze van Yamaha, vervangen, zonder kosten voor materiaal of arbeid in rekening te brengen. Yamaha behoudt zich het recht voor een product te vervangen door een gelijkwaardig product van hetzelfde soort en/of dezelfde waarde en andere relevante kenmerken, indien het onderhavige model niet meer gefabriceerd wordt of als reparatie niet economisch verantwoord wordt geacht.

Vooraard

1. Het defecte product MOET vergezeld zijn van de originele rekening of het oorspronkelijke reçu (met daarop vermeld de datum van aankoop, productcode en de naam van de dealer) en van een verklaring waarin het mankement of de storing uiteengezet wordt. Bij afwezigheid van een dergelijk onweerlegbaar bewijs van aankoop behoudt Yamaha zich het recht voor gratis service of reparatie te weigeren en kan het product op kosten van de klant aan de klant worden geretourneerd.
2. Het product MOET zijn aangeschaft bij een ERKENDE Yamaha dealer binnen de Europese Economische Ruimte (EER) of in Zwitserland.
3. Het product mag niet onderworpen zijn aan enige modificatie of verandering, behalve indien daartoe uitdrukkelijk schriftelijk toestemming is verkregen van Yamaha.
4. Uitgesloten van deze garantie zijn:
 - a. Periodiek onderhoud en reparatie of vervanging van onderdelen als gevolg van normale slijtage.
 - b. Schade als resultaat van:
 - (1) Reparaties uitgevoerd door de klant zelf of door onbevoegde derden.
 - (2) Ondeugdelijke verpakking of fouten bij het hanteren van het product wanneer het product van de klant vandaan onderweg is. Wij wijzen u erop dat het de verantwoordelijkheid van de klant is ervoor zorg te dragen dat het product deugdelijk verpakt is wanneer het wordt geretourneerd om nagezien of gerepareerd te worden.
 - (3) Oneigenlijk gebruik, daaronder begrepen, maar niet beperkt tot, (a) het product niet gebruiken voor de doeleinden waarvoor het normaal gesproken bestemd is, of niet in overeenstemming met de door Yamaha verstrekte instructies voor correct gebruik, onderhoud en opslag van het product, en (b) het product installeren of gebruiken op een wijze die niet voldoet aan de technische of veiligheidsnormen zoals die gelden in het land of de jurisdictie waar het product gebruikt wordt.
 - (4) Ongelukken, bliksem, brand, ondeugdelijke ventilatie, lekkende batterijen of enige andere oorzaak waarop Yamaha geen invloed heeft.
 - (5) Defecten van het systeem waarin dit product wordt gebruikt en/of incompatibiliteit met producten van derden.
 - (6) Gebruik van een niet door Yamaha in de EER en/of Zwitserland geïmporteerd product, waar dat product niet voldoet aan de technische of veiligheidsnormen van het land of de jurisdictie waar het product gebruikt wordt en/of aan de standaard specificaties van het product zoals verkocht door Yamaha in de EER en/of Zwitserland.
 - (7) Producten die niet AV (audiovisueel) gerelateerd zijn.
(De producten die onderworpen zijn aan de "Yamaha AV garantievoorwaarden" worden gedefinieerd op onze website: <http://www.yamaha-hifi.com/> of <http://www.yamaha-uk.com/> voor inwoners van het V.K.)
5. Waar de garantie zoals die geldt in het land van aankoop verschilt van die in land waar het product gebruikt wordt, zal de garantie voor het land waar het product gebruikt wordt worden toegepast.
6. Yamaha aanvaardt geen aansprakelijkheid voor enig verlies of enige schade, zij het directe schade, gevolgschade of anderszins, met uitzondering van reparatie of vervanging van het product.
7. Maakt u alstublieft reservekopieën van aangepaste instellingen of gegevens, want Yamaha aanvaardt geen aansprakelijkheid voor enige wijziging aan of verlies van dergelijke instellingen of gegevens.
8. Deze garantie doet niet af aan de rechten die de consument toegekend worden onder de toepasselijke nationale wetten en regelgeving, noch aan de rechten die de consument kan laten gelden ten opzichte van de dealer als gevolg van hun verkoop/aankoop contract.

Предупреждение: Внимательно изучите это перед использованием аппарата.

- 1 Для обеспечения наилучшего результата, пожалуйста, внимательно изучите данную инструкцию. Храните ее в безопасном месте для будущих справок.
- 2 Данную систему следует устанавливать в хорошо проветриваемых, прохладных, сухих, чистых местах, не подвергающихся прямому воздействию солнечных лучей, вдали от источников тепла, вибрации, пыли, влажности и/или холода. Для достаточной вентиляции, следует оставить свободным минимальное пространство 10 см сверху, 10 см слева и справа, и 10 см сзади от данного аппарата.
- 3 Во избежание шумов и помех, данный аппарат следует размещать на некотором расстоянии от других электрических приборов, двигателей, или трансформаторов.
- 4 Во избежание накопления влаги внутри данного аппарата, что может вызвать электрошок, пожар, привести к поломке данного аппарата, и/или представлять угрозу жизни, не следует размещать данный аппарат в среде, подверженной резким изменениям температуры с холодной на жаркую, или в среде с повышенной влажностью (например, в комнате с увлажнителем воздуха).
- 5 Не устанавливайте данный аппарат в местах, где есть риск падения других посторонних объектов на данный аппарат, и/или где данный аппарат может подвергнуться попаданию капель или брызгов жидкостей. На крышке данного аппарата, не следует располагать:
 - Другие компоненты, так как это может привести к поломке и/или отщепиванию поверхности данного аппарата.
 - Горящие объекты (например, свечи), так как это может привести к пожару, поломке данного аппарата, и/или представлять угрозу жизни.
 - Емкости с жидкостями, так как при их падении, жидкости могут вызвать поражение пользователя электрическим током и/или привести к поломке данного аппарата.
- 6 Во избежание прерывания охлаждения данного аппарата, не следует покрывать данный аппарат газетой, скатертью, занавеской и т.д. Повышение температуры внутри данного аппарата может привести к пожару, поломке данного аппарата, и/или представлять угрозу жизни.
- 7 Пока все соединения не завершены, не следует подключать данный аппарат к розетке.
- 8 Не используйте данный аппарат, установив его верхней стороной вниз. Это может привести к перегреву и возможной поломке.
- 9 Не применяйте силу по отношению к переключателям, ручкам и/или проводам.
- 10 При отсоединении силового кабеля питания от розетки, вытягивайте его, удерживая за вилку; ни в коем случае не тяните кабель.
- 11 Не применяйте различные химические составы для очистки данного аппарата; это может привести к разрушению покрывающего слоя.
- 12 Используйте данный аппарат с соблюдением напряжения, указанном на данном аппарате. Использование данного аппарата при более высоком напряжении, превышающем указанное, является опасным, и может стать причиной пожара, поломки данного аппарата, и/или представлять угрозу жизни. Yamaha не несет ответственности за любую поломку или ущерб вследствие использования данного аппарата при напряжении, не соответствующем указанному напряжению.
- 13 Во избежание поломки от молнии, силовой кабель должен быть отсоединен от розетки или аппарата во время грозы.
- 14 Не пробуйте модифицировать или починить данный аппарат. При необходимости, свяжитесь с квалифицированным сервис центром Yamaha. Корпус аппарата не должен открываться ни в коем случае.
- 15 Если вы не собираетесь использовать данный аппарат в течение продолжительного промежутка времени (например, во время отпуска), отключите силовой кабель переменного тока от розетки.
- 16 Данный аппарат следует устанавливать возле розетки переменного тока, куда можно свободно протянуть силовой кабель.
- 17 Перед тем, как прийти к заключению о поломке данного аппарата, обязательно изучите раздел “Возможные неисправности и способы по их устранению” в инструкции по эксплуатации, где описаны часто встречающиеся ошибки во время использования.
- 18 Перед перемещением данного аппарата, нажмите кнопку POWER вниз для отключения данного аппарата, и затем отсоедините силовую кабель переменного тока от розетки переменного тока.
- 19 **VOLTAGE SELECTOR**
(Только модель для Азии и общая модель)
Переключатель VOLTAGE SELECTOR на задней панели данного аппарата должен быть установлен на местное напряжение ДО подключения к сети переменного тока. Переключаемые напряжения:
.....110/120/220/230–240 В переменного тока, 50/60 Гц
- 20 Батарейки не должны подвергаться нагреву от солнечных лучей, огня или похожих источников.

Данный аппарат считается не отключенным от источника переменного тока все то время, пока он подключен к сети переменного тока, даже если данный аппарат был выключен через POWER.

ПРЕДУПРЕЖДЕНИЕ

ВО ИЗБЕЖАНИЕ ПОЖАРА ИЛИ УДАРА ЭЛЕКТРИЧЕСКИМ ТОКОМ, НЕ ПОДВЕРГАЙТЕ ДАННЫЙ АППАРАТ ВОЗДЕЙСТВИЯМ ДОЖДЯ ИЛИ ВЛАГИ.

БЕЗОПАСНОЕ ИСПОЛЬЗОВАНИЕ ЛАЗЕРА

Данное устройство содержит лазер. Из-за опасности травмы глаз, снимать крышку или обслуживать данное устройство должен только сертифицированный обслуживающий персонал.

ОПАСНОСТЬ

Данное устройство в открытом состоянии излучает видимые лазерные лучи. Не допускайте непосредственного воздействия лазерных лучей на глаза. Когда данное устройство подключено к розетке, не приближайте глаза к отверстию лотка диска и другим отверстиям, и не смотрите внутрь аппарата.

Лазерный компонент данного изделия может выделять радиацию, превышающую ограниченный уровень радиации для Класса 1.



Данный символ-отметка соответствует директиве EC 2002/96/EC.

Данный символ-отметка обозначает, что электрическое и электронное оборудование по окончании службы должны выбрасываться отдельно от домашнего мусора. Пожалуйста, следуйте местным правилам, и не выбрасывайте старые изделия вместе с обычным домашним мусором.

■ Примечания по батарейкам

- Если вы заметили, что зона управления пульта ДУ уменьшилась, замените все батарейки.
- Используйте батарейки AA, R6, UM-3.
- Убедитесь в правильности полярностей. Смотрите иллюстрацию внутри отделения для батареек.
- Если пульт ДУ не используется в течение продолжительного времени, извлеките батарейки.
- Не используйте старые батарейки вместе с новыми.
- Не используйте различные типы батареек (например, щелочные и марганцовые батарейки) одновременно. Внимательно изучите упаковку, так как такие различные типы батареек могут иметь одинаковую форму и цвет.
- При протекании батареек, немедленно извлеките их. Избегайте контакта с материалом протекания или не давайте одежде и т.д. соприкасаться с материалом протекания. Перед установкой новых батареек, тщательно протрите отделение для батареек.
- Использованные батарейки следует выбрасывать не как обычные домашние отходы, а в соответствии с местными правилами.

■ Использование пульта ДУ

- На участке между пультом ДУ и данным аппаратом не должно быть больших препятствий.
- Избегайте проливания воды или других жидкостей на пульт ДУ.
- Не роняйте пульт ДУ.
- Не оставляйте или храните пульт ДУ в местах со следующими видами условий:
 - местах с повышенной влажностью, например, возле ванной
 - в местах с повышенной температурой, например, возле обогревателя или плиты
 - в местах с предельно низкими температурами
 - в запыленных местах
- Не подвергайте сенсор ДУ попаданию сильного света, в особенности, от флуоресцентной лампы инвертерного типа; в противном случае, пульт ДУ может работать несоответствующим образом. При необходимости, передвиньте данный аппарат подальше от прямого попадания света.



© 2007 YAMAHA CORPORATION All rights reserved.

YAMAHA ELECTRONICS CORPORATION, USA 6660 ORANGETHORPE AVE., BUENA PARK, CALIF. 90620, U.S.A.
YAMAHA CANADA MUSIC LTD. 135 MILNER AVE., SCARBOROUGH, ONTARIO M1S 3R1, CANADA
YAMAHA ELECTRONIK EUROPA G.m.b.H. SIEMENSSTR. 22-34, 25462 RELINGEN BEI HAMBURG, GERMANY
YAMAHA ELECTRONIQUE FRANCE S.A. RUE AMBROISE CROIZAT BP70 CROISSY-BEAUBOURG 77312 MARNE-LA-VALLEE CEDEX02, FRANCE
YAMAHA ELECTRONICS (UK) LTD. YAMAHA HOUSE, 200 RICKMANSWORTH ROAD WATFORD, HERTS WD18 7GQ, ENGLAND
YAMAHA SCANDINAVIA A.B. J A WETTERGRENS GATA 1, BOX 30053, 400 43 VÄSTRA FRÖLUNDA, SWEDEN
YAMAHA MUSIC AUSTRALIA PTY, LTD. 17-33 MARKET ST., SOUTH MELBOURNE, 3205 VIC., AUSTRALIA

YAMAHA CORPORATION
Printed in Malaysia ◀ WM15770