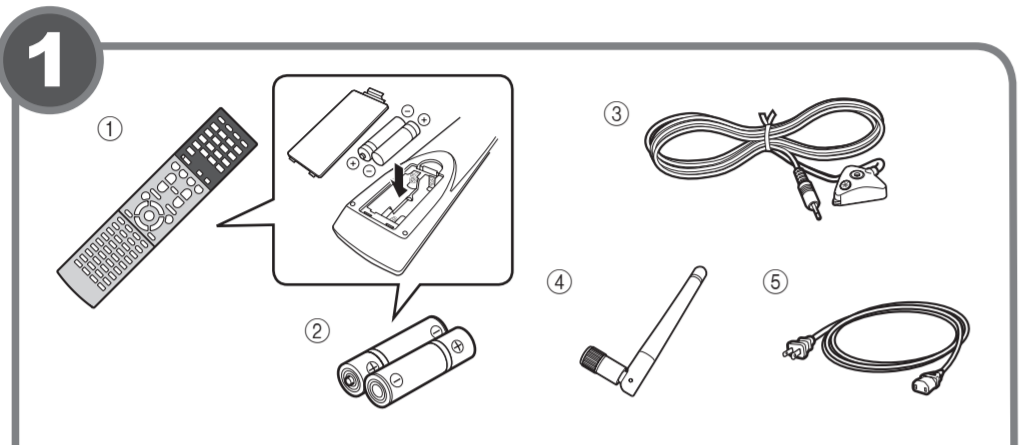
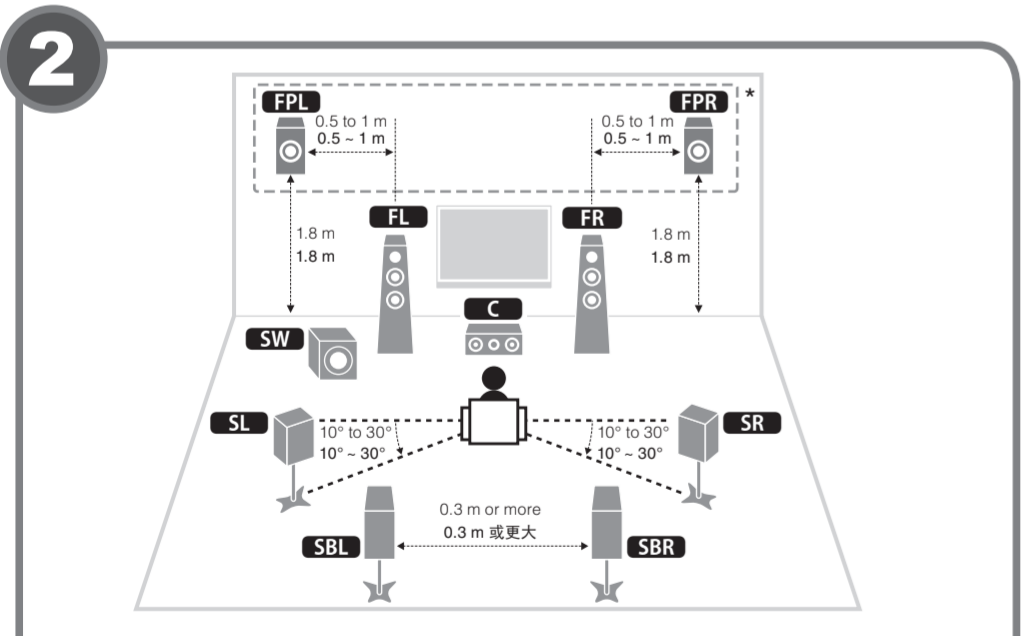


This document explains basic connections and unit settings.  
 For more information about this product, refer to the Owner's Manual included on the supplied CD-ROM.  
 The latest Owner's Manual can be downloaded from the following website:  
<http://download.yamaha.com/>

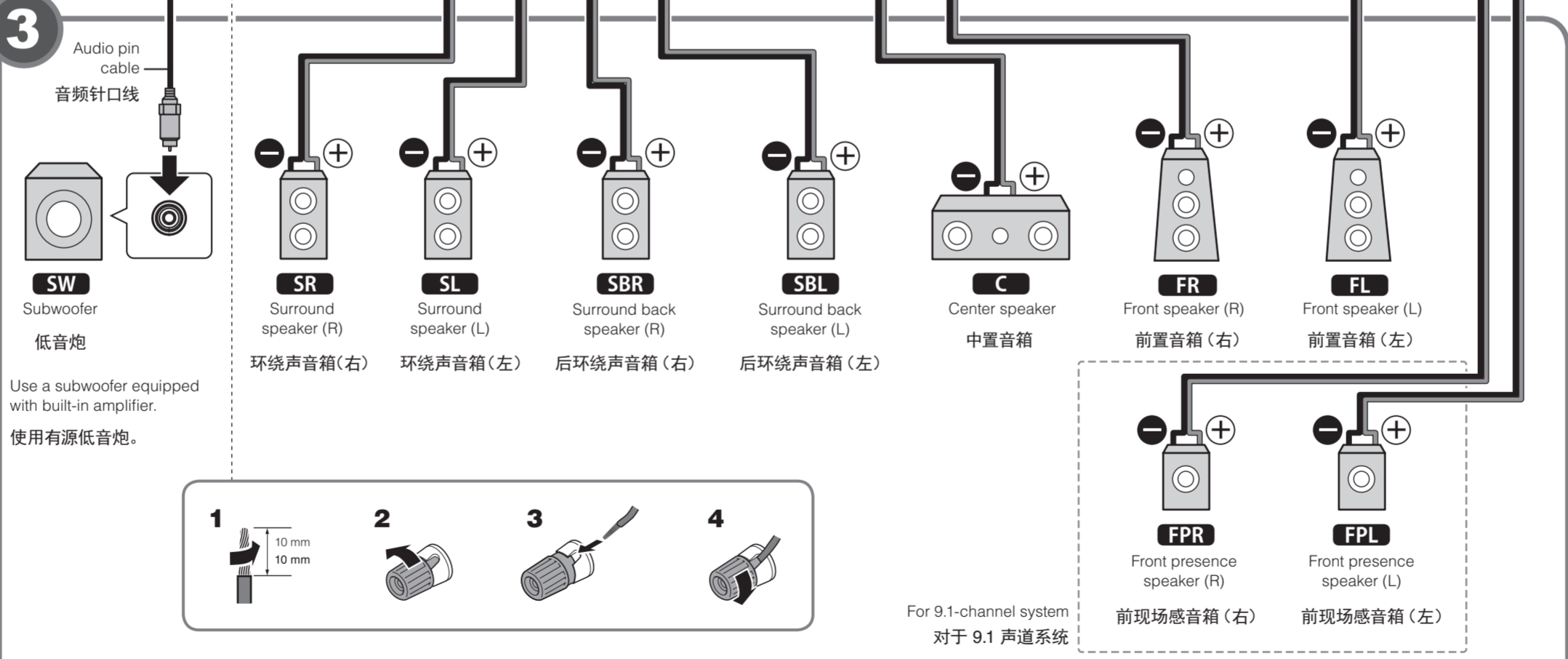
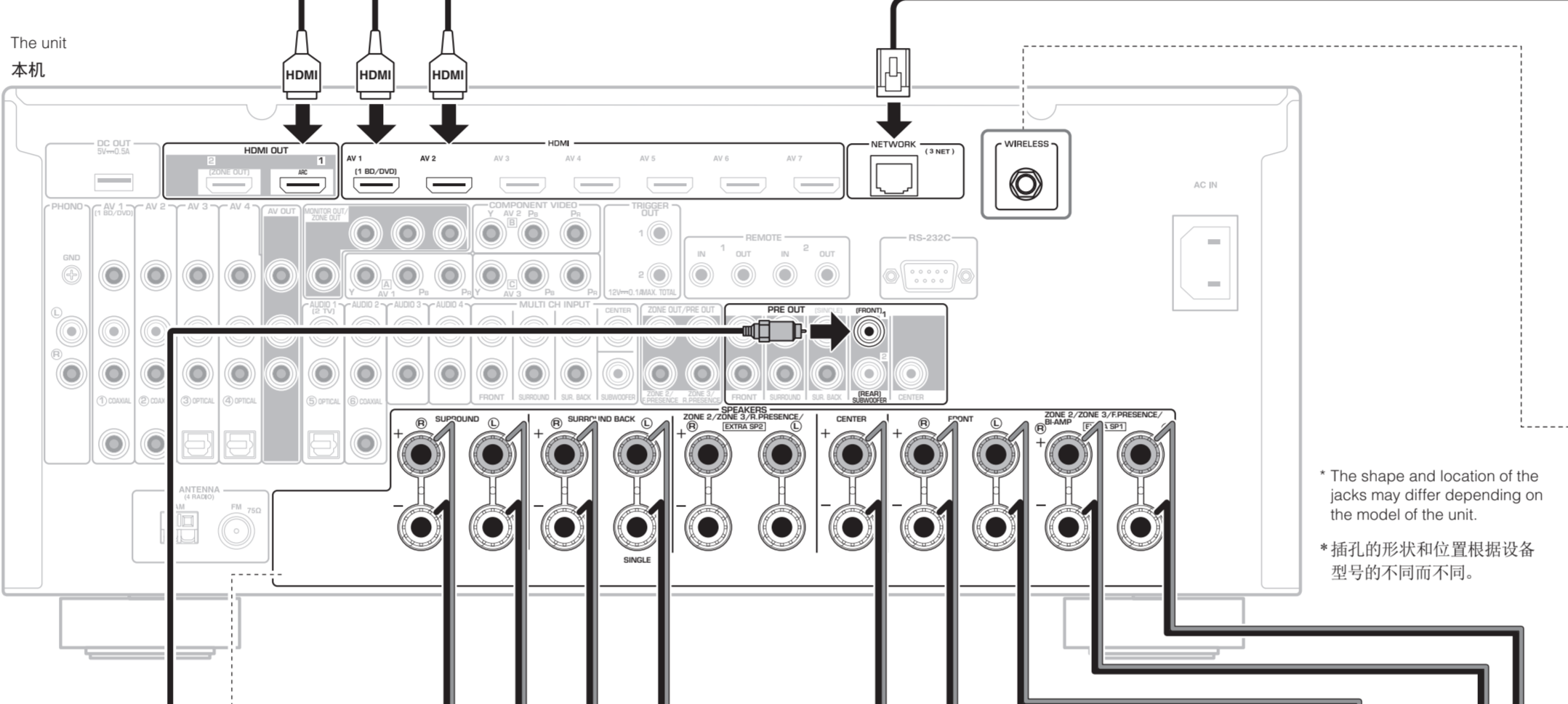
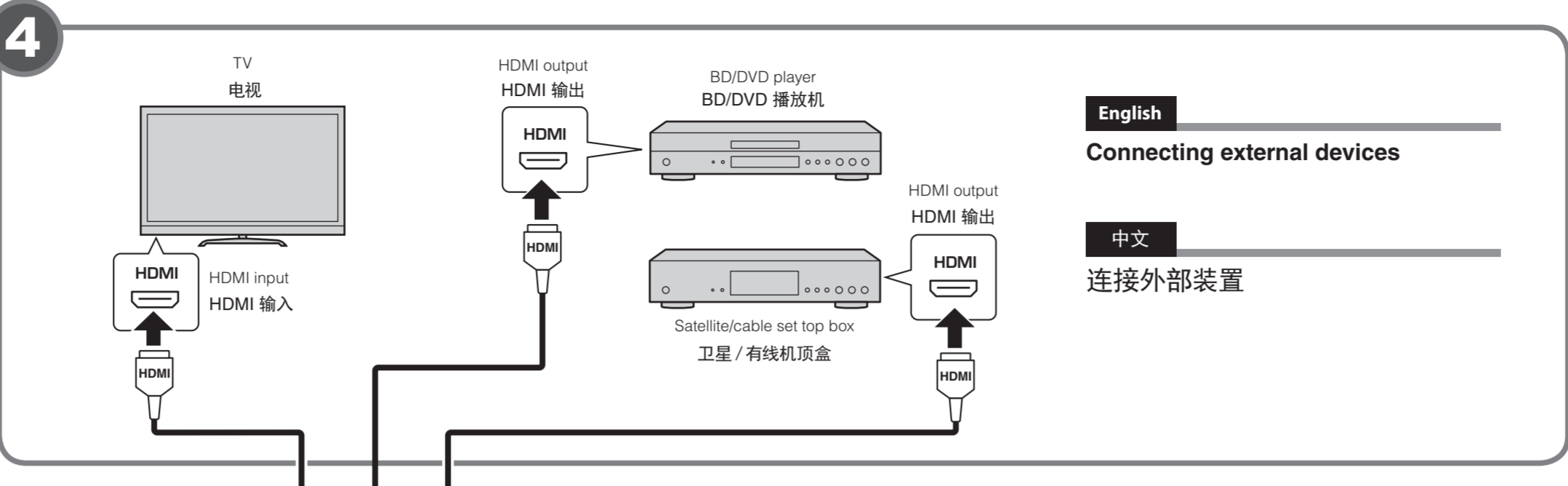
本文档介绍基础连接和设备的设定。  
 有关本产品的详细信息，请参阅包含在附带 CD-ROM 中的使用说明书。



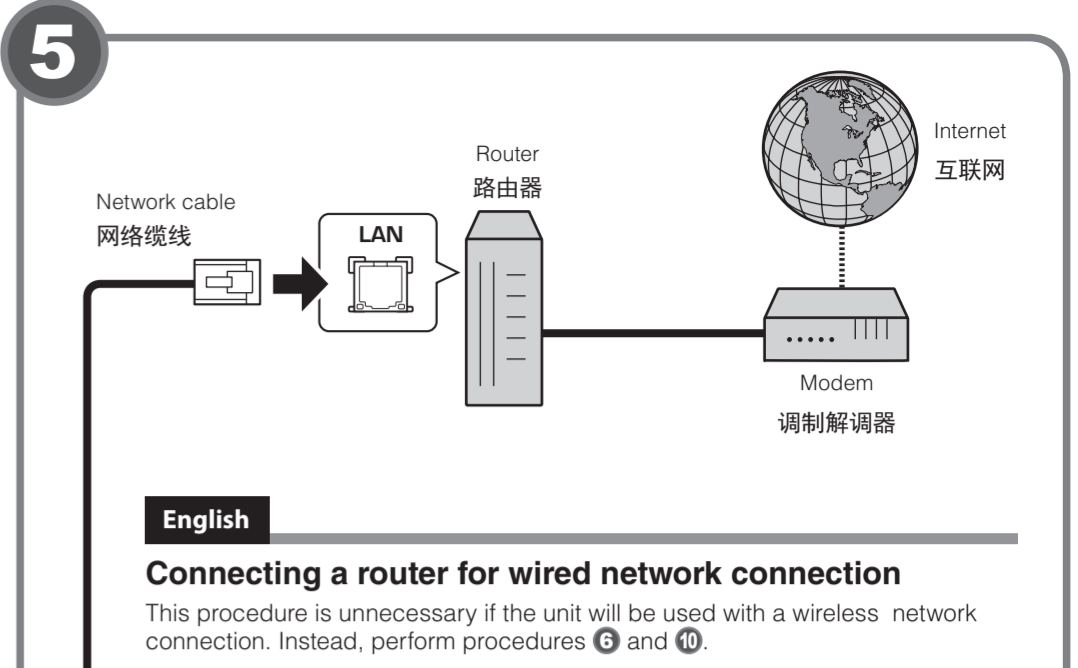
- English**  
**Accessories used with this document**  
 ① Remote control  
 ② Batteries (AAA, R03, UM-4) (x2)  
 ③ YPAO microphone  
 ④ Wireless antenna  
 ⑤ Power cable  
 The supplied power cable varies depending on the region of purchase.  
 The following cables (not supplied) are required to build the system described in this document.  
 • Speaker cables (depending on the number of speakers)  
 • Audio pin cable (x1)  
 • HDMI cables (x3)  
 • Network cable
- 中文**  
**本文档所使用的配件**  
 ① 遥控器  
 ② 干电池 (AAA, R03, UM-4) (x2)  
 ③ YPAO 麦克风  
 ④ 无线天线  
 ⑤ 电源线  
 附带的电源线因购买地区而异。  
 需要以下缆线 (非附带) 来构建本文档中所描述的系统。  
 • 音箱缆线 (视音箱的数量而定)  
 • 音频针口缆线 (x1)  
 • HDMI 缆线 (x3)  
 • 网络缆线



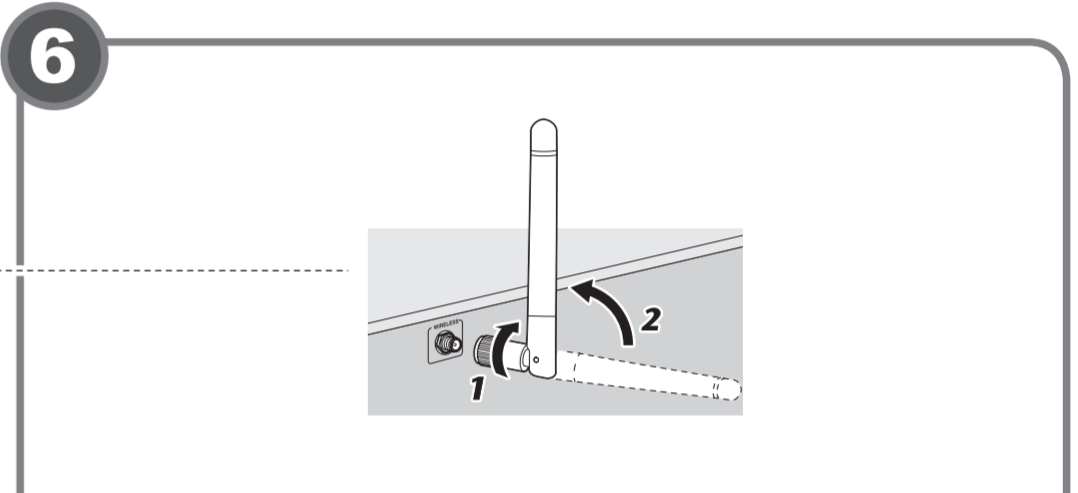
- English**  
**Placing speakers**  
 Set up the speakers in the room using the diagram as a reference.  
 FL Front speaker (L)  
 FR Front speaker (R)  
 C Center speaker  
 SL Surround speaker (L)  
 SR Surround speaker (R)  
 SBL Surround back speaker (L)  
 SBR Surround back speaker (R)  
 FPL Front presence speaker (L)\*  
 FPR Front presence speaker (R)\*  
 SW Subwoofer  
 \* For 9.1-channel system
- 中文**  
**放置音箱**  
 利用图表作为参考来设置室内的音箱。  
 FL 前置音箱 (左)  
 FR 前置音箱 (右)  
 C 中置音箱  
 SL 环绕音箱 (左)  
 SR 环绕音箱 (右)  
 SBL 后环绕音箱 (左)  
 SBR 后环绕音箱 (右)  
 FPL 前现场感音箱 (左)\*  
 FPR 前现场感音箱 (右)\*  
 SW 低音炮  
 \* 对于 9.1 声道系统



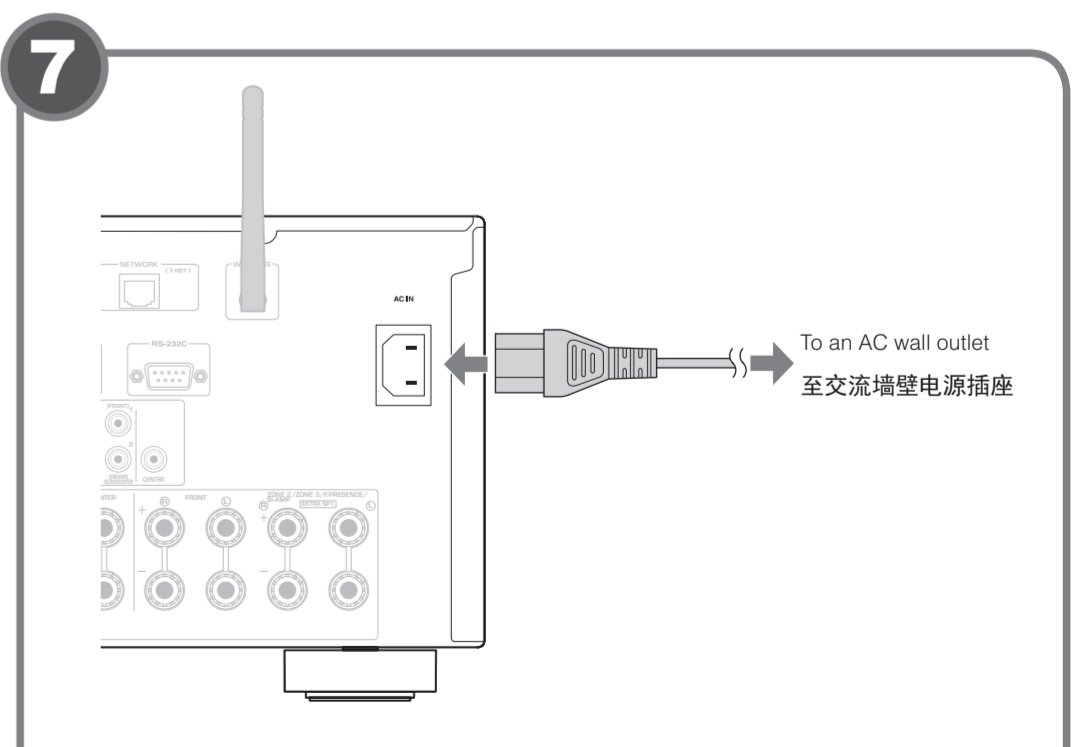
- English**  
**Connecting speakers/subwoofer**  
 • When connecting 6-ohm speakers, set the unit's speaker impedance to "6 Ω MIN". For details, see "Setting the speaker impedance" in the Owner's Manual.  
 • Before connecting the speakers, remove the unit's power cable from the AC wall outlet and turn off the subwoofer.  
 • Ensure that the core wires of the speaker cable do not touch one another or come into contact with the unit's metal parts. Doing so may damage the unit or the speakers. If the speaker cables short circuit, "Check SP Wires" will appear on the front display when the unit is turned on.
- 中文**  
**连接音箱 / 低音炮**  
 • 连接 6 欧姆音箱时，将本机音箱阻抗设置为 "6 Ω MIN"。有关详情，请参见使用说明书中的 "设置音箱阻抗"。  
 • 连接音箱前，将本机的电源线从交流墙壁电源插座中拔出并关闭低音炮。  
 • 请确保保音箱缆线的线芯没有相互接触或没有接触本机的金属部位。否则，可能损坏本机或音箱。如果音箱缆线短路，则当打开本机时，"Check SP Wires" 会出现在前面板显示屏上。



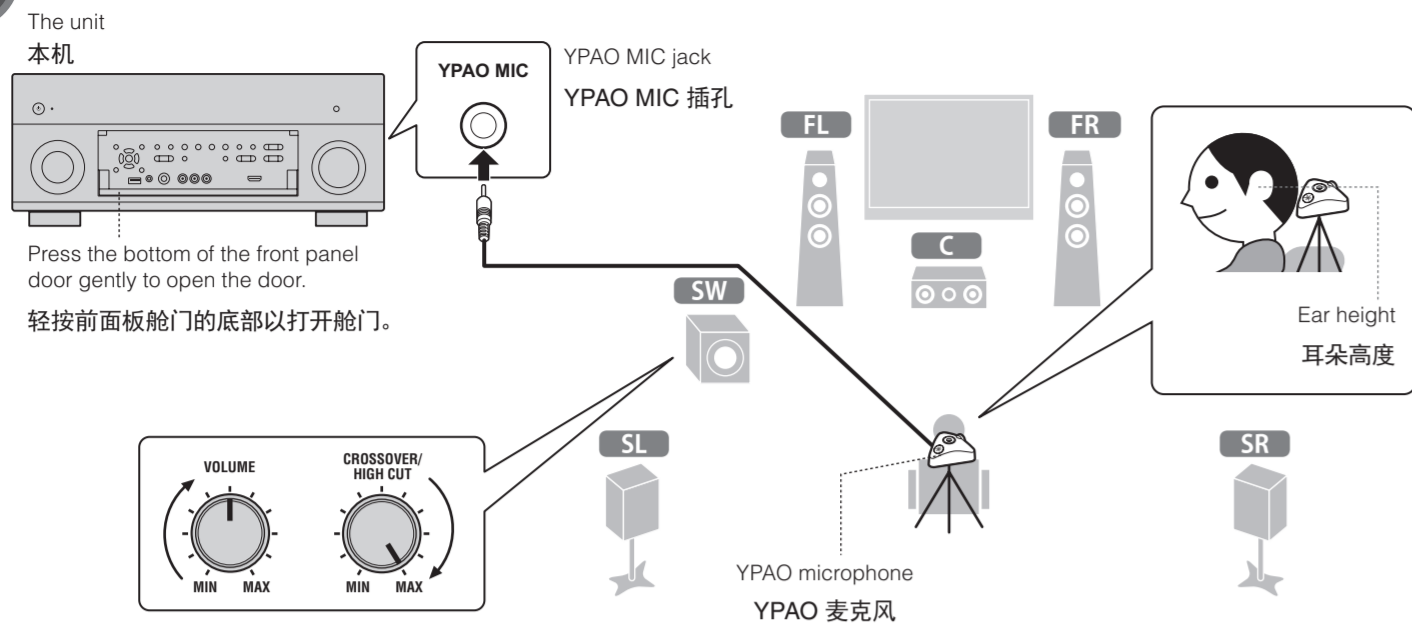
- English**  
**Connecting the power cable to an AC wall outlet**  
 Plug the power cable into the AC wall outlet.
- 中文**  
**将电源线连接至交流墙壁电源插座**  
 将电源线插入交流墙壁电源插座。



- English**  
**Connecting the wireless antenna**  
 1. Rotate the antenna clockwise.  
 2. Stand the antenna up straight.  
 • Do not connect the antenna other than the supplied one.  
 • Do not apply excessive force on the antenna. Doing so may damage it.  
 • When packing the unit, remove the antenna to prevent damage.
- 中文**  
**连接无线天线**  
 1. 顺时针旋转天线。  
 2. 竖立起天线。  
 • 请勿使用随机附赠之外的天线。  
 • 请勿在天线上施加过大的力量，否则会损坏天线。  
 • 包装本机时，应拆除天线以防止损坏。



- English**  
**Connecting the power cable to an AC wall outlet**  
 Plug the power cable into the AC wall outlet.
- 中文**  
**将电源线连接至交流墙壁电源插座**  
 将电源线插入交流墙壁电源插座。



## English

## Optimizing the speaker settings automatically (YPAO)

The Yamaha Parametric room Acoustic Optimizer (YPAO) function detects speaker connections, measures the distances from them to your listening position(s), and then automatically optimizes the speaker settings, such as volume balance and acoustic parameters, to suit your room.

Note the following regarding YPAO measurement

- Test tones are output at high volume and may surprise or frighten small children.
- Test tone volume cannot be adjusted.
- Keep the room as quiet as possible.
- Stay in a corner of the room behind the listening position so that you do not become an obstacle between speakers and the YPAO microphone.
- Do not connect headphones.

1. Press **⏻** (receiver power) to turn on the unit.
2. Turn on the TV and switch the TV input to display video from the unit (HDMI OUT jack).
3. Turn on the subwoofer and set the volume to half. If the crossover frequency is adjustable, set it to maximum.
4. Place the YPAO microphone at your listening position and connect it to the YPAO MIC jack on the front panel.

Place the YPAO microphone at your listening position (same height as your ears). We recommend the use of a tripod as a microphone stand. You can use the tripod screws to stabilize the microphone.

5. To start the measurement, use the cursor keys to select "Measure" and press ENTER.

The measurement will start in 10 seconds. It takes about 3 minutes to measure. The right screen appears on the TV when the measurement finishes.

6. If any error message (such as E-1) or warning message (such as W-2) appears, see "Error messages" or "Warning messages" in the Owner's Manual.
7. If the warning message "W-1: Out of Phase" appears, see "If 'W-1: Out of Phase' appears".

8. Use the cursor keys to select "Save/Cancel" and press ENTER.
9. Use the cursor keys to select "SAVE" and press ENTER.
10. Use the cursor keys to select "YES" to enable YPAO Volume and press ENTER.

For details on YPAO Volume, refer to the Owner's Manual.

11. Disconnect the YPAO microphone from the unit.

Do not leave the YPAO microphone in a place where it will be exposed to direct sunlight or high temperature for an extended period of time.

This completes optimization of the speaker settings.

## If "W-1: Out of Phase" appears

Follow the procedure below to check the speaker connections.

1. Use the cursor keys to select "Result" and press ENTER.
2. Check cable connections (+/-) for the problem speaker.
3. Check the cable connections (+/-) of the speaker that was identified as being "Reverse" in the warning message.

## If the speaker is connected incorrectly:

Turn off the unit, reconnect the speaker cable, and then try YPAO measurement again.

## If the speaker is connected correctly:

Depending on the type of speakers or room environment, this message may appear even if the speakers are connected correctly.

In this case, ignore the message and proceed to step 6.

## 中文

## 自动优化音箱设置 (YPAO)

Yamaha Parametric room Acoustic Optimizer (YPAO) 功能将检测音箱的连接, 测试从音箱到您聆听位置的距离, 并且自动优化音箱设置 (如音量平衡和音响参数) 以适应房间。

请注意以下有关 YPAO 测量信息的说明。

- 测试曲调输出音量较高, 可能会惊吓到孩童。
- 测试曲调的音量无法调节。
- 应尽可能保持房间内安静。
- 站立于聆听位置后方的房间墙角内, 这样您不会阻挡音箱和 YPAO 麦克风。
- 不要连接耳机。

1. 按 **⏻** (接收器电源) 打开本机。
2. 打开电视, 然后切换电视输入以显示来自本机的视频 (HDMI OUT 插孔)。
3. 打开低音炮, 然后将其音量设为原始音量的一半。如果穿越频率可调节, 则将其设为最大。
4. 将 YPAO 麦克风放置在收听位置 (与您耳朵的高度相同), 然后将它连接至前面板上的 YPAO MIC 插孔。

将 YPAO 麦克风放置在收听位置 (与您耳朵的高度相同)。我们建议使用三脚架作为麦克风支架。您可以使用三角架螺钉稳定麦克风。

5. 若要开始测量, 请使用光标键选择 "测定", 然后按 ENTER。10 秒钟后将开始测量。测量大约需要 3 分钟时间。完成测量时, 电视上将出现右侧屏幕。

6. 如果出现了任何错误消息 (如 E-1) 或警告消息 (如 W-2), 请参见使用说明书中的 "错误消息" 或 "警告消息"。
7. 如果出现警告消息 "W-1: 极性接反", 请参阅 "如果出现 'W-1: 极性接反' "。

8. 使用光标键选择 "保存 / 取消", 然后按 ENTER。
9. 使用光标键选择 "保存", 然后按 ENTER。
10. 使用光标键选择 "是" 启用 YPAO 音量, 然后按 ENTER。有关 YPAO 音量的详情, 请参阅使用说明书。
11. 断开 YPAO 麦克风与本机的连接。

请勿使 YPAO 麦克风长时间暴露在阳光直射或高温的位置。

这将完成对音箱设置的优化。

## 如果出现 "W-1: 极性接反"

请按以下过程检查音箱连接。

1. 使用光标键选择 "测定结果", 然后按 ENTER。
2. 检查问题音箱的缆线连接 (+/-)。
3. 检查在警告消息中标识为 "反相" 的音箱的缆线连接 (+/-)。

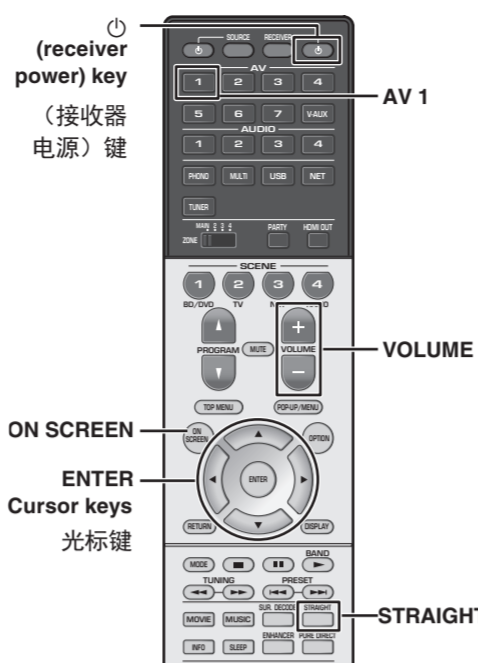
如果音箱连接不正确:

关闭本机并再次连接音箱缆线, 然后再次尝试 YPAO 测量。

如果音箱连接正确:

根据音箱类型或房间环境, 即使音箱连接正确, 此消息也可能出现。

在这种情况下, 忽略消息并前进至步骤 6。



## English

## Playing back a BD/DVD

Now let's play back a BD/DVD.

We recommend playing back multichannel audio (5.1-channel or more) to feel surround sound produced by the unit.

1. Turn on the BD/DVD player.
2. Press AV 1 to select "AV 1" as the input source.
3. Start playback on the BD/DVD player.
4. Press STRAIGHT repeatedly to select "STRAIGHT".
5. Press VOLUME to adjust the volume.

When surround sound is not heard, or no sound is output from a specific speaker, see "Troubleshooting" in the Owner's Manual.

This completes the basic setup procedure.

Continue with procedure 10 if the unit will be used with a wireless network connection.

## 中文

## 播放 BD/DVD

现在让我们播放 BD/DVD 光盘。

我们建议播放多声道音频 (5.1 声道或以上) 来感受本机所产生的环绕立体声。

1. 打开 BD/DVD 播放机。
2. 按 AV 1 选择 "AV 1" 作为输入源。
3. 开始在 BD/DVD 播放机上播放。
4. 反复按 STRAIGHT 选择 "STRAIGHT"。
5. 按 VOLUME 调节音量。

听不到环绕声时, 或者特定音箱未输出任何声音时, 请参阅使用说明书中的 "故障排除"。

这将完成基本的设置过程。

如果配合无线网络连接使用本机, 则执行步骤 10。

## English

## Connecting a router for wireless network connection

Connect the unit to a wireless router (access point).

There are several methods to connect the unit to a wireless network. This section describes the following three methods.

For details on other connection methods, refer to the Owner's Manual.

## A: Using the WPS button configuration

Set up a wireless connection with the WPS button on the wireless router (access point).

This configuration does not work if the security method of your wireless router (access point) is WEP. In this case, use other connection method.

1. Hold down INFO (WPS) on the front panel for 3 seconds. "Press WPS button on Access Point" appears on the front display.
2. Push the WPS button on the wireless router (access point). When the connection process finishes, "Completed" appears on the front display. If "Not connected" appears, repeat from step 1 or try another connection method.

## B: Sharing the iOS device setting

Set up a wireless connection by applying the connection settings on iOS devices (iPhone/iPad/iPod touch\*).

\* You need iOS devices with iOS 5.0 or later.

Before proceeding, confirm that your iOS device is connected to a wireless router.

1. Press ON SCREEN to display the on-screen menu on the TV.
2. Use the cursor keys to select "Setup" and press ENTER.
3. Use the cursor keys (</>) to select "Network" and use the cursor keys (Δ / ▽) to select "Network Connection", and then press ENTER.
4. Use the cursor keys (Δ / ▽) and ENTER to check "Wireless (Wi-Fi)" and select "OK".
5. Use the cursor keys (Δ / ▽) and ENTER to check "Share Wi-Fi Settings (iOS)" and select "NEXT".
6. Connect the iOS device to the USB jack, and disable the screen lock on the iOS device.
7. Use the cursor keys (Δ / ▽) to select "NEXT" and press ENTER.
8. Tap "Allow" in the message appeared on the iOS device. When the connection process finishes, "Completed" appears on the TV screen.
9. To exit from the menu, press ON SCREEN.

## C: Searching for an access point

Set up a wireless connection by searching available access points.

1. Perform steps 1 to 4 of "B: Sharing the iOS device setting".
2. Use the cursor keys (Δ / ▽) to select "Access Point Scan" and press ENTER.
3. Use the cursor keys and ENTER to check the desired access point and select "NEXT".
4. Use the cursor keys and ENTER to enter the security key and select "NEXT".
5. Use the cursor keys (</>) to select "CONNECT" and press ENTER to start the connection process. When the connection process finishes, "Completed" appears on the TV screen. If "Not connected" appears, repeat from step 1 or try another connection method.
6. To exit from the menu, press ON SCREEN.

## 中文

## 连接路由器执行无线网络连接

将本机连接至无线路由器 (接入点)。

有多种方式将本机连接至无线网络。本节说明了以下三种方法。

有关其他连接方式的详情, 请参阅使用说明书。

## A: 使用 WPS 按钮配置

使用无线路由器 (接入点) 上的 WPS 按钮设置无线连接。

如果您的无线路由器 (接入点) 的加密方式是 WEP, 则该配置不起作用。在这种情况下, 请使用其他连接方式。

1. 按住前面板上的 INFO (WPS) 3 秒钟。"Press WPS button on Access Point" 将显示在前显示屏上。
2. 在无线路由器 (接入点) 上按下 WPS 按钮。连接进度完成后, "Completed" 将显示在前方显示屏上。如果显示 "Not connected", 从步骤 1 开始重复, 或者尝试其他连接方式。

## B: 共享 iOS 设备设置

在 iOS 设备 (iPhone/iPad/iPod touch\*) 上应用连接设置设定无线连接。

\* 您需要安装有 iOS 5.0 或更高版本系统的 iOS 设备。

进行前, 请确认您的 iOS 设备已连接至无线路由器。

1. 按 ON SCREEN 在电视上显示屏幕菜单。
2. 使用光标键选择 "设定", 然后按 ENTER。
3. 使用光标键 (</>) 选择 "网络" 并使用光标键 (Δ / ▽) 选择 "网络连接", 然后按 ENTER。
4. 使用光标键 (Δ / ▽) 和 ENTER 选择 "无线" 并选择 "确定"。
5. 使用光标键 (Δ / ▽) 和 ENTER 选择 "共享 Wi-Fi 设定" 并选择 "下一步"。
6. 将 iOS 设备连接至 USB 插孔, 在 iOS 设备上禁用屏幕锁定。
7. 使用光标键 (Δ / ▽) 选择 "下一步", 然后按 ENTER。
8. 轻触 iOS 设备上所出现消息内的 "Allow"。连接进度完成后, "设定完成" 将显示在电视屏幕上。
9. 若要从菜单中退出, 请按 ON SCREEN。

## C: 搜索接入点

您可以通过搜索可用接入点设定无线连接。

1. 执行步骤 1 到 4, 如 "B: 共享 iOS 设备设置" 中所述。
2. 使用光标键 (Δ / ▽) 选择 "接入点浏览", 然后按 ENTER。
3. 使用光标键和 ENTER 检查所需的接入点, 选择 "下一步"。
4. 使用光标键和 ENTER 输入安全密钥, 选择 "下一步"。
5. 使用光标键 (</>) 选择 "连接", 然后按 ENTER 开始连接进度。连接进度完成后, "设定完成" 将显示在电视屏幕上。如果显示 "未连接", 从步骤 1 开始重复, 或者尝试其他连接方式。
6. 若要从菜单中退出, 请按 ON SCREEN。