

July, 2010

Subject: YSP-4100/YSP-5100 Firmware Update Version 7.03

Yamaha is pleased to offer the following firmware update to ensure the best possible performance and features for your Yamaha Sound Projector (YSP). This firmware adds 3D video pass-through and ARC (Audio Return Channel) capability for the HDMI connections.

Requirements:

- ◆ A computer capable of burning an audio CD
- ◆ BD/DVD/CD player* with optical or coaxial digital audio connection

*Note) CD PLAYER IS PREFERRED.

Some DVD players use digital filters, which affects the output signal of the devices. This firmware update may not work with DVD players which use these digital filters. CD player usually does not use these filters.

CHECK THE FIRMWARE VERSION PRIOR TO THIS UPDATE

On the YSP, press & hold **[INPUT]** button and while hold that button, power on using the remote controller. **“ADVANCED SETUP”** appears on YSP’s front display. Then, press & hold **[Volume -]** button on the YSP until version number appears on display.

Example: **“M&D Ver.: 7.03”**

If the version is **7.03** or higher, you **DO NOT** need to perform this update.
To exit, power off.

If you are not able to perform the update, please make arrangements to deliver the unit to an Authorized Yamaha Service Center and they will perform the update.

The following pages contain the procedures for this firmware update. The outline of the update is as follows:

1. Create an update disc (Audio CD)
2. Connect digital audio with CD, DVD or BD player
3. Enter firmware update mode
4. Play the update disc (firmware update)
5. Confirm updated firmware version
6. Initialize the YSP and perform AUTO SETUP

Note: Executing this update will RESET the YSP’s setting, including the AUTO SETUP (IntelliBeam) and radio station preset setting to factory default.

< IMPORTANT NOTICE >

Do not attempt to update your Yamaha Sound Projector using any other data file except those provided directly from the Yamaha website.

Follow the instructions carefully and do not attempt any other procedures not specified in the instructions provided by Yamaha.

Improperly updated products may cause improper operation, and any parts or service required to restore proper operation will not be covered under the Yamaha Limited Warranty.

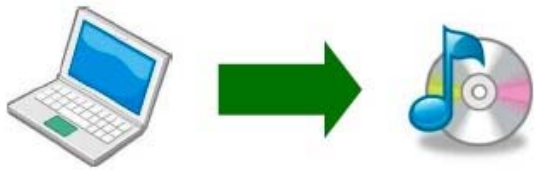
Instructions for Firmware Update:

STEP1 CREATE UPDATE DISC

Download the firmware from Yamaha website.

Unzip and burn the WAV file onto CD-R/RW as an Audio-CD. This will be your update disc.

If you need instructions on creating this firmware update CD, see your Personal Computer ("PC") CD burning software instructions on how to burn WAV file as an Audio CD.

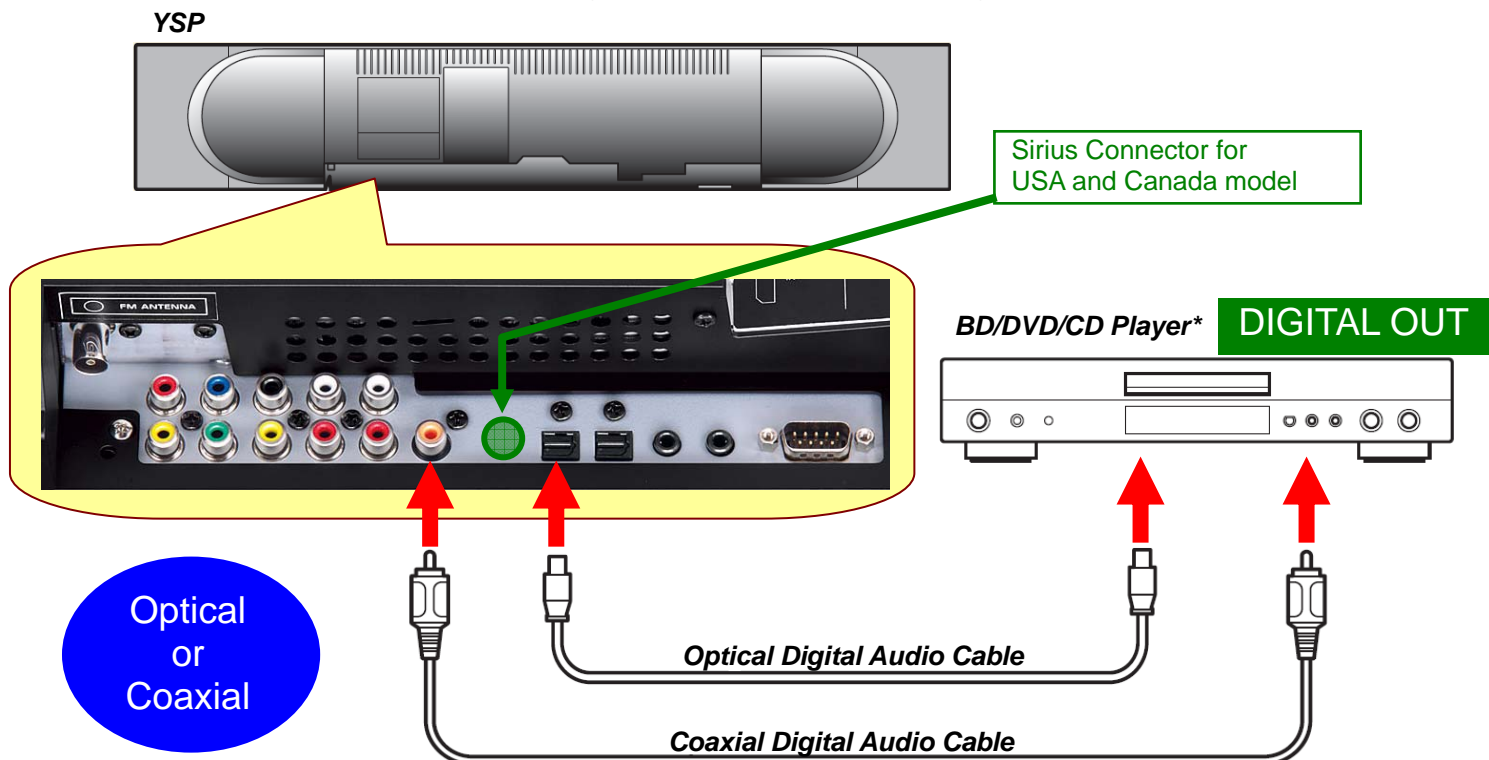


Note:

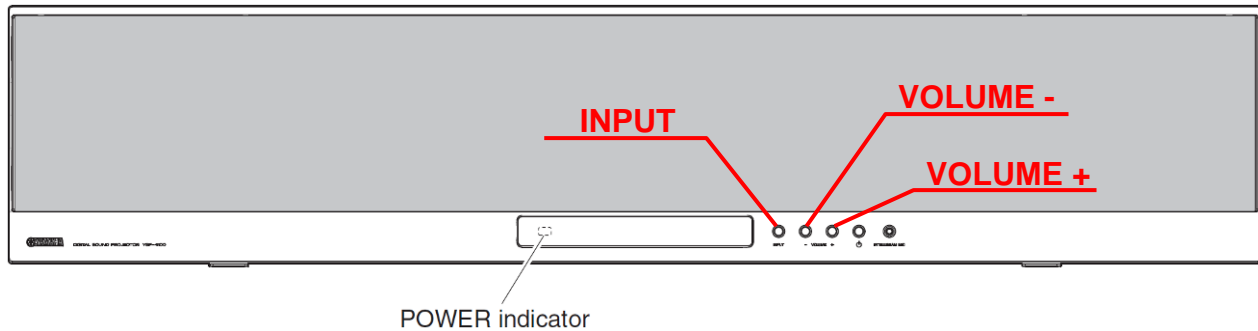
Conventional CD burning software is recommended. An audio CD burned by Windows Media Player may not work.

STEP2 CONNECT DIGITAL AUDIO WITH BD/DVD/CD PLAYER

Power off the YSP and BD/DVD/CD player. Then, connect the CD, DVD or BD player* to your YSP using either optical or coaxial digital cable.



*It is recommended to remove all other connection from the player. If the player is connected to another amplifier/receiver, make sure those components are powered off. Or else, the loud digital communication sound output during the update could cause damage to the speakers.



STEP3 ENTER FIRMWARE UPDATE MODE

Confirm that the power of YSP is off. Press and hold the **[INPUT]** button on the YSP and while holding that button, power on using the remote controller. **"ADVANCED SETUP"** will appear on the front display. Then, press and hold **[VOLUME +]** button on the YSP until **"CDDA Upgrader"** appears on the YSP's front display. Now your YSP is ready for firmware update.

Note:

Executing this update will RESET the YSP's setting, including the AUTO SETUP (IntelliBeam) and radio station preset setting to factory default.

STEP4 START FIRMWARE UPDATE

Power on the BD/DVD/CD player.


Load and play the Firmware Update CD (Audio CD) on the BD/DVD/CD player.

"Found Header" will appear on the YSP's front display for few seconds. Then, the firmware update starts. Rapidly changing numbers are displayed during the update.

*"Found Header" appears within 10 seconds from starting update disc playback. In case display doesn't change after 10 seconds, power off and retry the update process again from the beginning or check requirements for the update disc and connection. See **IN CASE OF ERROR** for details.*

While update is in progress,

DO NOT interrupt the YSP by pressing any buttons or switching off the power.

When completed, **"Update Success"**, **"Please..."** and **"Power off!!"** are displayed repeatedly. Press the  button on the YSP to turn off the power.

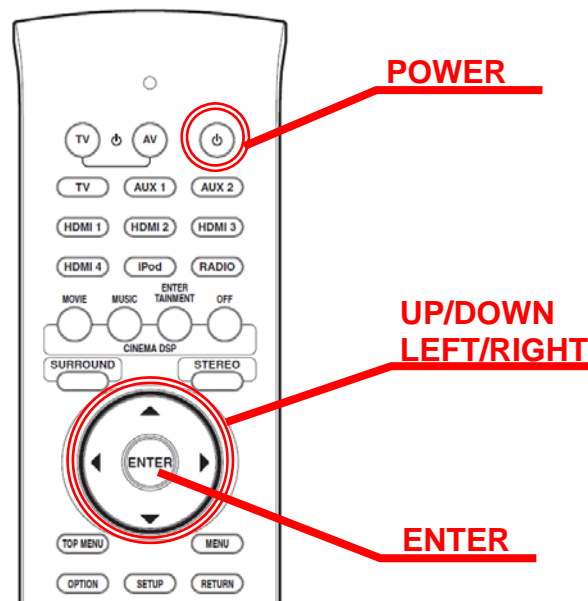
Stop the BD/DVD/CD player, remove update disc and power off.

STEP5 CONFIRM UPDATED VERSION

Press and hold the **[INPUT]** button and power on. **"ADVANCED SETUP"** will appear on the front display. Then, press and hold **[VOLUME -]** button until **"M&D Ver.: 7.03"** appears. Confirm the updated version number.

*If the version number doesn't match, retry the update procedure again from the beginning or check requirements for the update disc and connection. See **IN CASE OF ERROR** for details.*

To exit, power off.



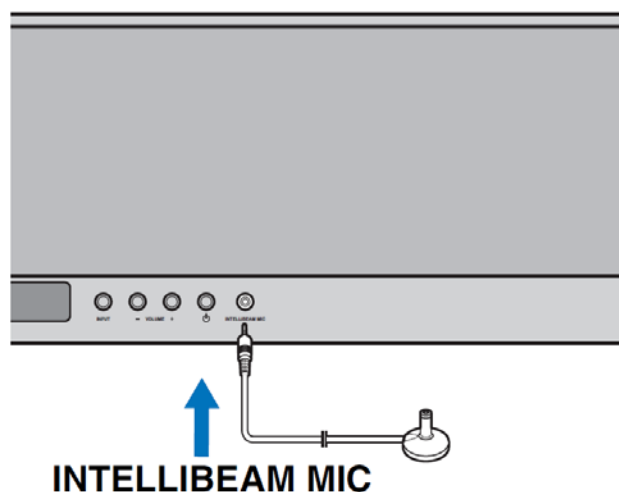
STEP6 INITIALIZE THE YSP AND PERFORM AUTO SETUP

Confirm that the power of YSP is off. Press and hold the **[INPUT]** button on the YSP and while holding that button, power on using the remote controller. **“ADVANCED SETUP”** will appear on the front display. Using the **[UP]** **[DOWN]** buttons on the remote controller, select **“FACTORY PRESET”** and press **[ENTER]**. Press **[RIGHT]** button on the remote controller and select **“PRST: RESET”**. Power off by remote controller. Initializing completed.

Your YSP is now ready for normal use.

Perform AUTO SETUP and optimize the sound beam adjustments with the new firmware.

(Refer to the AUTO SETUP (Intellibeam) section on the owners manual for details)



IN CASE OF ERROR

Case1 Display on the YSP “CDDA Upgrader” doesn’t change after playing the update disc on the BD/DVD/CD player.

- ◆ Check digital cable wiring. Only optical or coaxial connection can be used for this update. HDMI connection will not work.
- ◆ Check digital out setting. When using DVD/BD players, make sure the digital out is set to “PCM”. Once update is completed, reset DVD/BD player to its original settings.
- ◆ Check update disc. Make sure that your CD-R/RW is finalized and created as an “AUDIO CD”. (playable on any CD player)
- ◆ If all above are cleared and still having problems, your BD/DVD/CD player may not be suited for this update. Try another BD/DVD/CD player or contact your local authorized service center to update the YSP for you.

Case2 During the update, “Model type Error” appeared on the YSP’s front display.

YSP is having difficulty to pickup the digital communication signal from the disc player.

Try replacing the digital audio cable or re-burn the update CD. (In this case, burning onto a CD-R is recommended) Or try another disc player.

Case3 Can’t go to version display or firmware update mode after entering “ADVANCED SETUP”.

Setting of the front panel keys may be disabled.

Confirm that the F.PANEL KEY (Front Panel Key) in the Advanced Setup is set to “ON”

Case4 After the update, YSP doesn’t power on or doesn’t operate correctly with the remote controller.

Unplug the AC cable from wall outlet and plug again. If the YSP still doesn’t operate correctly, try “**Case5**”.

Case5 YSP doesn’t power on at all after the update.

Perform the following alternative update method to recover.

PL1. Unplug the AC cable from the wall outlet.

PL2. Press and hold [VOLUME +] button. While holding the [VOLUME +] button, plug the AC cable to the wall outlet. “CDDA Upgrader” will appear on the front display.

PL3. Repeat from STEP 4.