



SUBWOOFER

Installation Series IS1112(W)

OWNER'S MANUAL

Thank you for choosing this Yamaha speaker system. In order to take maximum advantage of the speaker's features and ensure optimum performance and longevity, please read this manual carefully before using the speaker system. Keep the manual in safe place for future reference.

BEDIENUNGSANLEITUNG

Vielen Dank für die Auswahl dieses Lautsprechersystems von Yamaha. Damit Sie die Eigenschaften dieses Lautsprechers optimal nutzen können, und um maximale Leistung und Lebensdauer sicherzustellen, lesen Sie bitte vor der Inbetriebnahme diese Anleitung sorgfältig durch. Bitte bewahren Sie diese Anleitung zum späteren Nachschlagen an einem sicheren Ort auf.

MODE D'EMPLOI

Nous vous remercions d'avoir acheté ces enceintes Yamaha. Pour obtenir les performances optimales de vos enceintes et garantir une longévité maximale, lisez attentivement ce mode d'emploi avant d'utiliser les enceintes. Conservez-le en lieu sûr pour pouvoir vous y référer ultérieurement.

MANUAL DE INSTRUCCIONES

Gracias por escoger este sistema de altavoces Yamaha. A fin de aprovechar al máximo las características de los altavoces y obtener un rendimiento y durabilidad óptimos, lea atentamente este manual antes de utilizar el sistema. Guarde este manual en un lugar seguro para futuras consultas.

MANUALE DI ISTRUZIONI

Grazie per avere scelto un sistema di altoparlanti Yamaha. Per sfruttare al massimo le caratteristiche e le funzioni avanzate degli altoparlanti e per massimizzarne prestazioni e longevità, leggere con attenzione questo manuale prima di utilizzare il sistema. Conservare il manuale per qualsiasi riferimento futuro.

РУКОВОДСТВО ПОЛЬЗОВАТЕЛЯ

Благодарим вас за приобретение акустической системы Yamaha. Чтобы максимально использовать все функции динамика и обеспечить оптимальную производительность и долговечность, перед использованием акустической системы внимательно прочитайте данное руководство. Храните руководство в безопасном месте для использования в дальнейшем.

使用说明书

感谢您购买这款Yamaha音箱系统。为了最大限度地利用音箱的功能，确保最佳的性能和最长的使用寿命，请在使用音箱系统前认真阅读本说明书。请将说明书存放在安全的地方，以便将来随时参阅。

取扱説明書

このたびは、ヤマハ製品をお買い求めいただきまして、まことにありがとうございます。
スピーカーの優れた性能を十分に生かして、未永くご愛用いただくために、この取扱説明書をご使用の前に必ずお読みください。

English

Deutsch

Français

Español

Italiano

Русский

中文

日本語

EN
DE
FR
ES
IT
RU
ZH
JA

EN IS1112(W) Pole Socket Precautions

The pole socket is provided for only mounting IF2108(W) or IF2208(W).
Do not mount the IS1112(W) on the pole in any orientation.
When mounting IF2108(W) or IF2208(W) on the IS1112(W), be sure that it is installed vertically.

DE IS1112(W) Warnhinweis für den Boxenflansch

Der Boxenflansch dient ausschließlich zur Aufständigung der Modelle IF2108(W) oder IF2208(W).
Stellen Sie die IS1112(W) auf keinen Fall geneigt auf.
Achten Sie bei der Aufständigung der IF2108(W) bzw. IF2208(W) auf die IS1112(W) darauf, dass sie senkrecht aufgestellt wird.

FR Précautions d'utilisation de l'insert du IS1112(W) pour fixation sur tube

L'insert pour fixation sur tube est fourni uniquement pour le montage des enceintes IF2108(W) et IF2208(W).
Le montage des enceintes à l'aide de l'insert de fixation sur un support en tube ne doit pas s'effectuer selon un angle arbitraire.
Lors du montage des enceintes IF2108(W) ou IF2208(W) au moyen de l'insert (puits) IS1112(W), assurez-vous que celles-ci sont montées verticalement.

ES Precauciones para la sujeción del soporte IS1112(W)

La sujeción del soporte se facilita únicamente para el montaje del IF2108(W) o del IF2208(W).
No monte el IS1112(W) en el soporte en ninguna otra orientación.
Al montar un IF2108(W) o un IF2208(W) en el IS1112(W), asegúrese de instalarlo verticalmente.

IT Precauzioni per l'utilizzo dell'asta sull' IS1112(W)

L'attacco dell'asta è progettato esclusivamente per il montaggio degli altoparlanti IF2108(W) o IF2208(W).
Non montare l'altoparlante IS1112(W) sull'asta, orizzontalmente o verticalmente (IF1112(W) in alto).
Quando si montano gli altoparlanti IF2108(W) o IF2208(W) sull' IS1112(W) dotato di asta, accertarsi che siano collocati in posizione verticale.

RU Предупреждение при использовании разъема с полюсами IS1112(W)

Разъем с полюсами поставляется только для монтажа IF2108(W) или IF2208(W).
Крепление разъема IS1112(W) к полюсу запрещено в любой ориентации.
При креплении IF2108(W) или IF2208(W) к разъему IS1112(W) убедитесь, что он смонтирован вертикально.

ZH IS1112(W) 电杆电源插座注意事项

本电杆电源插座仅供安装 IF2108(W) 或 IF2208(W) 使用。
请勿将 IS1112(W) 以任何方向安装到电杆上。
在 IS1112(W) 上安装 IF2108(W) 或 IF2208(W) 时，请务必将其垂直安装。

JA IS1112(W)ポールソケット使用のご注意

ポールソケットはフルレンジスピーカーをマウントするためのものです。
垂直、斜め、水平を問わず、ポールソケットを使用してIS1112(W)本体をマウントしないでください。
IF2108(W)またはIF2208(W)をIS1112(W)にマウントする場合は、必ずIS1112(W)を垂直に設置した状態でマウントしてください。

PRECAUTIONS

PLEASE READ CAREFULLY BEFORE PROCEEDING

* Please keep this manual in a safe place for future reference.



WARNING

Always follow the basic precautions listed below to avoid the possibility of serious injury or even death from electrical shock, short-circuiting, damages, fire or other hazards. These precautions include, but are not limited to, the following:

Do not open

- Do not open the device or attempt to disassemble the internal parts or modify them in any way. The device contains no user-serviceable parts. If it should appear to be malfunctioning, discontinue use immediately and have it inspected by qualified Yamaha service personnel.

Water warning

- Do not expose the device to rain, use it near water or in damp or wet conditions, or place containers on it containing liquids which might spill into any openings. If any liquid such as water seeps into the device, have the device inspected by qualified Yamaha service personnel.



CAUTION

Always follow the basic precautions listed below to avoid the possibility of physical injury to you or others, or damage to the device or other property. These precautions include, but are not limited to, the following:

Location

- If you intend to use the pole socket on the subwoofer for mounting a full range speaker, please read carefully "Precautions for Pole Mounting" on page 4. Failing to observe these precautions may cause the device to fall, and result in injury or damage to the internal components.
- Always consult qualified Yamaha service personnel if the device installation requires construction work, and make sure to observe the following precautions.
 - Choose mounting hardware and an installation location that can support the weight of the device.
 - Avoid locations that are exposed to constant vibration.
 - Make sure to use the specified hardware.
 - Inspect the device periodically.
- When transporting or moving the device, always use two or more people. Attempting to lift the device by yourself may damage your back, result in other injury, or cause damage to the device itself.
- Before moving the device, remove all connected cables.
- Do not use the speaker's handles for suspended installation. Doing so can result in damage or injury.
- Do not expose the device to excessive dust or vibration, or extreme cold or heat (such as in direct sunlight, near a heater, or in a car during the day) to prevent the possibility of distortion or damage to the components.
- Do not place the device in an unstable position (for example, on a shaky table or on an incline) where it might accidentally fall over.

Connections

- Before connecting the device to other devices, turn off the power for all devices. Before turning the power on or off for all devices, set all volume levels to minimum.
- Use only speaker cables for connecting speakers to the speaker jacks. Use of other types of cables may result in fire.
- Make sure to connect and neatly tie up the speaker cable so that the cable is not exposed to being tripped over, stepped on or inadvertently pulled. Also avoid pinching the cable (for example, between a heavy object and the floor). Improper handling can result in damage to the device, personal injury or fire as well as electrical shock hazard.

Handling caution

- Do not apply excessive input.
To prevent possible damage to the speakers or even fire, make sure to immediately lower the input level in the following cases.
 - Feedback caused when using a microphone.
 - Continuous high sound level produced by electronic instruments.
 - Popping noises caused by turning on other equipment, or by connecting or disconnecting system components while the amplifier is turned on.
 - Continuous high-power output of distorted signals.*
*The device may be damaged even when the output level of the power amplifier is lower than the specified permissible input level, if distorted signals are continuously output at high power.
- When turning on the AC power in your audio system, always turn on the power amplifier LAST, to avoid speaker damage. When turning the power off, the power amplifier should be turned off FIRST for the same reason.
- Do not operate this device for a long period of time at high volume levels or at a level that is uncomfortable, since it is capable of producing sound levels that could cause permanent hearing loss. If you experience any discomfort or ringing in the ears, or suspect an hearing loss, you should consult an audiologist.
- Do not stand on the device or put your feet on it, and do not hang it from the ceiling or any high place. Improper handling can result in damage to the device or even personal injury.

If you notice any abnormality

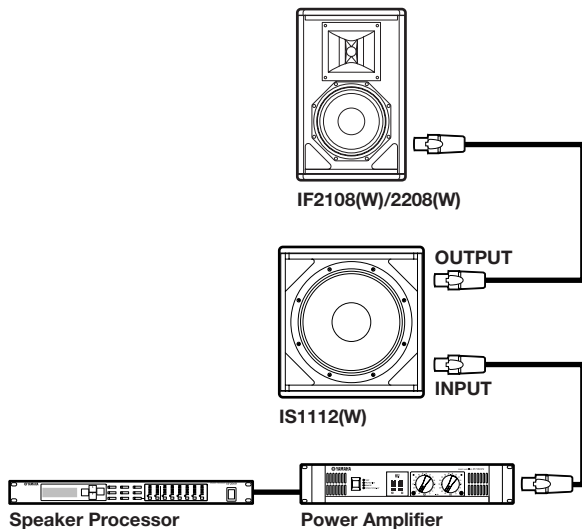
- If any unusual smell or smoke appears to be emitted from the device or caused by it, or if there is a sudden loss of sound during use, or if the device is dropped or damaged, discontinue using it immediately and have it inspected by qualified Yamaha service personnel.

Special Notice

The rubber feet included in this package can be attached to the speaker to prevent it from sliding when it is used on a slippery surface or if the speaker cabinet moves by vibration at a high volume. See "Dimensions" (page 29).

Yamaha cannot be held responsible for damage caused by improper use or modifications to the device.

Connections

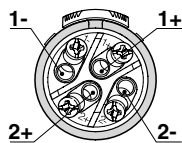


Neutrik Speakon NL4 plug wiring

Connect the plugs as shown below.

CAUTION

Be sure to use proper speaker cable – not shielded instrument or line cable – for all speaker connections.



NL4 plug	INPUT	OUTPUT
1 +/-	SUBWOOFER	FULL RANGE
2 +/-	FULL RANGE	UNUSED

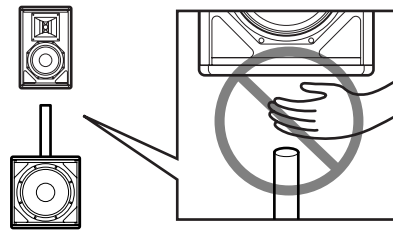
NOTE The Speakon jack 1+/- of INPUT side at the speaker and barrier strip terminals should be connected in parallel. For details, see the wiring diagram on page 29.

Precautions for Pole Mounting

A full-range speaker system can be attached to the IS1112(W) by inserting a pole to the pole socket of the sub-woofer. When you use a pole mount, please keep in mind the following points:

- Improper handling can result in damage to the speaker or even personal injury.
- Full-range speakers that can be mounted to the IS1112(W) are IF2108(W) and IF2208(W).
- Use a pole no longer than 90cm (35.4") with an outer diameter of 35mm (1-3/8").
- When pole mounting a speaker cabinet, always use two or more people.

- When pole mounting a speaker cabinet, avoid inserting your fingers or hands between the pole socket and pole.



- Make sure to keep the speaker cabinet steady with your hands until the pole is firmly and completely inserted into the pole socket.

Suspended Installation

CAUTION

- The strength of the suspension points on the speaker is **60 kg** per point (maximum).
- Before doing any installation or construction work, consult with an installation expert.
- When choosing the installation location, suspension wire and mounting hardware, make sure all are strong enough to support the weight of the speaker.
- Some fittings may deteriorate over extended periods of time due to wear and/or corrosion. For optimum safety, the installation should be checked thoroughly at regular intervals.

Yamaha cannot be held responsible for damage or injury caused by insufficient strength of the support structure or improper installation.

Using eye bolts for suspension

For optimum safety, make sure to carefully follow the precautions below.

CAUTION

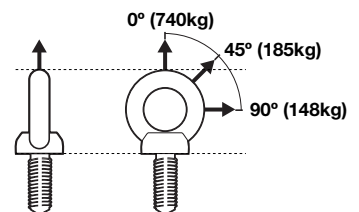
- Use only the supplied eye bolts.
- Use three or more eye bolts for suspended installations.
- Install the eye bolts to multiple surfaces of the speaker, not just one surface.

Eye bolt strength

Keep in mind that the strength of the eye bolt differs depending on the suspension angle of the speaker. Make sure that the load for each eye bolt is less than 740 kg when suspending at an angle of 0 degrees, and less than 185 kg at an angle of 45 degrees.

CAUTION

When using the eye bolts, make sure that the suspension angle is within the range of 0 to 45 degrees, as shown at right.



CAUTION

Do not suspend the eye bolts as shown in the diagram at right.



Specifications

General		
Frequency Range (-10dB) (full space)	45Hz – 2kHz	
Frequency Range (±3dB) (full space)	55Hz – 500Hz	
Nominal Coverage (H x V, -6dB)	n/a	
Power Rating	NOISE	700W (AES)
	PROGRAM	1400W
	MAX	2800W
Nominal Impedance	8 ohms	
Sensitivity (1W@1 m) (full space)	93dB SPL	
Calculated Peak SPL	127dB SPL	
Calculated Continuous SPL	121dB SPL	
Included Accessories	4 x M10 eyebolts, 4 x rubber feet, Owner's Manual	
Components		
LF	12" (30 cm) Woofer, 4" (100 mm) Voice Coil	
HF	n/a	
Enclosure		
Dimensions (W x H x D)	378 x 394 x 454 mm (14.9 x 15.5 x 17.9 in)	
Weight	24.0 kg (53 lbs)	
Shape	Rectangular	
Material	5/8 in (16 mm), 11-ply Finnish Birch	
Finish	Textured Black (Textured White)	
Grill	16 gauge powder coated perforated steel grilles, backed with acoustically transparent reticulated foam	
Connectors	Input: 1 x Neutrik NL4 and barrier strip, wired in parallel Output: 1 x Neutrik NL4	
Flying Hardware	12 x M10 for shoulder eyebolts	
Pole Mount	1 x ϕ 35 mm (1-3/8 in) pole mount on the top	
Handles	2 x Pocket handles	
Optional Accessories		
U-bracket	n/a	
Array Frame	n/a	
3rd Party Accessories		
OmniMount (US)	n/a	
Multimount (US, Allen Products)	n/a	
Powerdrive (UK)	n/a	
OHASHI (Japan)	n/a	

* Specifications and descriptions in this owner's manual are for information purposes only. Yamaha Corp. reserves the right to change or modify products or specifications at any time without prior notice. Since specifications, equipment or options may not be the same in every locale, please check with your Yamaha dealer.

* Die technischen Daten und Beschreibungen in dieser Bedienungsanleitung dienen nur der Information. Yamaha Corp. behält sich das Recht vor, Produkte oder deren technische Daten jederzeit ohne vorherige Ankündigung zu verändern oder zu modifizieren. Da die technischen Daten, das Gerät selbst oder Sonderzubehör nicht in jedem Land gleich sind, setzen Sie sich im Zweifel bitte mit Ihrem Yamaha-Händler in Verbindung.

* Les caractéristiques techniques et les descriptions du mode d'emploi ne sont données que pour information. Yamaha Corp. se réserve le droit de changer ou modifier les produits et leurs caractéristiques techniques à tout moment sans aucun avis. Du fait que les caractéristiques techniques, les équipements et les options peuvent différer d'un pays à l'autre, adressez-vous au distributeur Yamaha le plus proche.

* Las especificaciones y descripciones de este manual del propietario tienen sólo el propósito de servir como información. Yamaha Corp. se reserva el derecho a efectuar cambios o modificaciones en los productos o especificaciones en cualquier momento sin previo aviso. Puesto que las especificaciones, equipos u opciones pueden no ser las mismas en todos los mercados, solicite información a su distribuidor Yamaha.

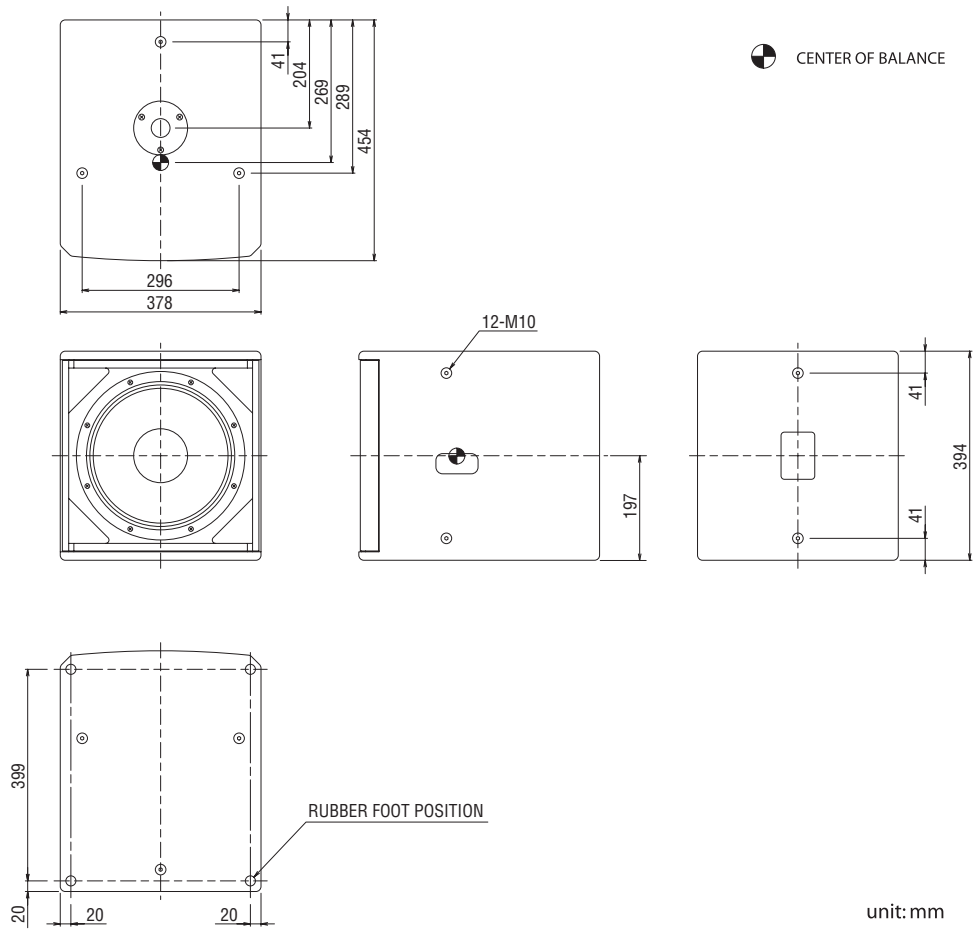
* Le specifiche e le descrizioni presenti in questo manuale sono fornite a fini puramente informativi. Yamaha Corp. si riserva il diritto di modificare prodotti o specifiche in qualsiasi momento senza preavviso. Dato che le specifiche, le apparecchiature o le opzioni possono essere diverse da paese a paese, verificarle con il proprio rappresentante Yamaha.

* Технические характеристики и их описания в данном руководстве пользователя предназначены только для общего сведения. Корпорация Yamaha Corp. оставляет за собой право изменять или модифицировать продукты или технические характеристики в любое время без предварительного уведомления. Так как технические характеристики, оборудование и компоненты могут различаться в разных странах, обратитесь за информацией к своему дилеру Yamaha.

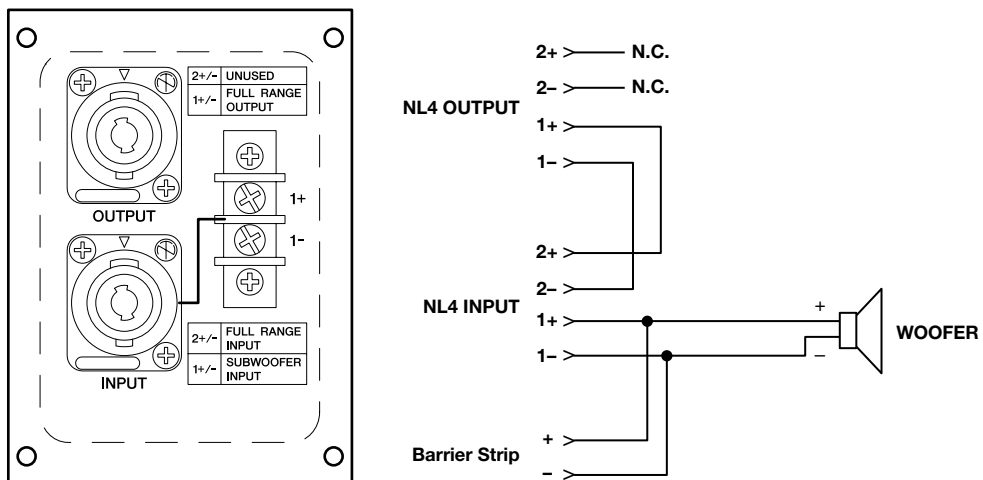
* 本使用说明书中的技术规格及介绍仅供参考。Yamaha公司保留随时更改或修订产品或技术规格的权利，若确有更改，恕不事先通知。技术规格、设备或选购件在各个地区可能均会有所不同，因此如有问题，请与当地Yamaha经销商确认。

* 仕様および外観は改良のため予告なく変更することがあります。

Dimensions



Wiring Diagram



Information for Users on Collection and Disposal of Old Equipment



This symbol on the products, packaging, and/or accompanying documents means that used electrical and electronic products should not be mixed with general household waste.
For proper treatment, recovery and recycling of old products, please take them to applicable collection points, in accordance with your national legislation and the Directives 2002/96/EC.

By disposing of these products correctly, you will help to save valuable resources and prevent any potential negative effects on human health and the environment which could otherwise arise from inappropriate waste handling.

For more information about collection and recycling of old products, please contact your local municipality, your waste disposal service or the point of sale where you purchased the items.

[For business users in the European Union]

If you wish to discard electrical and electronic equipment, please contact your dealer or supplier for further information.

[Information on Disposal in other Countries outside the European Union]

This symbol is only valid in the European Union. If you wish to discard these items, please contact your local authorities or dealer and ask for the correct method of disposal.

Verbraucherinformation zur Sammlung und Entsorgung alter Elektrogeräte



Befindet sich dieses Symbol auf den Produkten, der Verpackung und/oder beiliegenden Unterlagen, so sollten benutzte elektrische Geräte nicht mit dem normalen Haushaltsabfall entsorgt werden.

In Übereinstimmung mit Ihren nationalen Bestimmungen und den Richtlinien 2002/96/EC, bringen Sie alte Geräte bitte zur fachgerechten Entsorgung, Wiederaufbereitung und Wiederverwendung zu den entsprechenden Sammelstellen.

Durch die fachgerechte Entsorgung der Elektrogeräte helfen Sie, wertvolle Ressourcen zu schützen und verhindern mögliche negative Auswirkungen auf die menschliche Gesundheit und die Umwelt, die andernfalls durch unsachgerechte Müllentsorgung auftreten könnten.

Für weitere Informationen zum Sammeln und Wiederaufbereiten alter Elektrogeräte, kontaktieren Sie bitte Ihre örtliche Stadt- oder Gemeindeverwaltung, Ihren Abfallentsorgungsdienst oder die Verkaufsstelle der Artikel.

[Information für geschäftliche Anwender in der Europäischen Union]

Wenn Sie Elektrogeräte ausrangieren möchten, kontaktieren Sie bitte Ihren Händler oder Zulieferer für weitere Informationen.

[Entsorgungsinformation für Länder außerhalb der Europäischen Union]

Dieses Symbol gilt nur innerhalb der Europäischen Union. Wenn Sie solche Artikel ausrangieren möchten, kontaktieren Sie bitte Ihre örtlichen Behörden oder Ihren Händler und fragen Sie nach der sachgerechten Entsorgungsmethode.

Information concernant la Collecte et le Traitement des déchets d'équipements électriques et électroniques.



Le symbole sur les produits, l'emballage et/ou les documents joints signifie que les produits électriques ou électroniques usagés ne doivent pas être mélangés avec les déchets domestiques habituels.

Pour un traitement, une récupération et un recyclage appropriés des déchets d'équipements électriques et électroniques, veuillez les déposer aux points de collecte prévus à cet effet, conformément à la réglementation nationale et aux Directives 2002/96/EC.

En vous débarrassant correctement des déchets d'équipements électriques et électroniques, vous contribuerez à la sauvegarde de précieuses ressources et à la prévention de potentiels effets négatifs sur la santé humaine qui pourraient advenir lors d'un traitement inapproprié des déchets.

Pour plus d'informations à propos de la collecte et du recyclage des déchets d'équipements électriques et électroniques, veuillez contacter votre municipalité, votre service de traitement des déchets ou le point de vente où vous avez acheté les produits.

[Pour les professionnels dans l'Union Européenne]

Si vous souhaitez vous débarrasser des déchets d'équipements électriques et électroniques veuillez contacter votre vendeur ou fournisseur pour plus d'informations.

[Information sur le traitement dans d'autres pays en dehors de l'Union Européenne]

Ce symbole est seulement valable dans l'Union Européenne. Si vous souhaitez vous débarrasser de déchets d'équipements électriques et électroniques, veuillez contacter les autorités locales ou votre fournisseur et demander la méthode de traitement appropriée.

Información para Usuarios sobre Recolección y Disposición de Equipamiento Viejo



Este símbolo en los productos, embalaje, y/o documentación que se acompañe significa que los productos electrónicos y eléctricos usados no deben ser mezclados con desechos hogareños corrientes.

Para el tratamiento, recuperación y reciclado apropiado de los productos viejos, por favor llévelos a puntos de recolección aplicables, de acuerdo a su legislación nacional y las directivas 2002/96/EC.

Al disponer de estos productos correctamente, ayudará a ahorrar recursos valiosos y a prevenir cualquier potencial efecto negativo sobre la salud humana y el medio ambiente, el cual podría surgir de un inapropiado manejo de los desechos.

Para mayor información sobre recolección y reciclado de productos viejos, por favor contacte a su municipio local, su servicio de gestión de residuos o el punto de venta en el cual usted adquirió los artículos.

[Para usuarios de negocios en la Unión Europea]

Si usted desea deshacerse de equipamiento eléctrico y electrónico, por favor contacte a su vendedor o proveedor para mayor información.

[Información sobre la Disposición en otros países fuera de la Unión Europea]

Este símbolo sólo es válidos en la Unión Europea. Si desea deshacerse de estos artículos, por favor contacte a sus autoridades locales y pregunte por el método correcto de disposición.

Informazioni per gli utenti sulla raccolta e lo smaltimento di vecchia attrezzatura



Questo simbolo sui prodotti, sull'imballaggio, e/o sui documenti che li accompagnano significa che i prodotti elettriche e elettroniche non dovrebbero essere mischiati con i rifiuti domestici generici.

Per il trattamento, recupero e riciclaggio appropriati di vecchi prodotti, li porti, prego, ai punti di raccolta appropriati, in accordo con la Sua legislazione nazionale e le direttive 2002/96/CE.

Smaltendo correttamente questi prodotti, Lei aiuterà a salvare risorse preziose e a prevenire alcuni potenziali effetti negativi sulla salute umana e l'ambiente, che altrimenti potrebbero sorgere dal trattamento improprio dei rifiuti.

Per ulteriori informazioni sulla raccolta e il riciclaggio di vecchi prodotti, prego contatti la Sua amministrazione comunale locale, il Suo servizio di smaltimento dei rifiuti o il punto vendita dove Lei ha acquistato gli articoli.

[Per utenti imprenditori dell'Unione europea]

Se Lei desidera disfarsi di attrezzatura elettrica ed elettronica, prego contatti il Suo rivenditore o fornitore per ulteriori informazioni.

[Informazioni sullo smaltimento negli altri Paesi al di fuori dell'Unione europea]

Questo simbolo è validi solamente nell'Unione europea. Se Lei desidera disfarsi di questi articoli, prego contatti le Sue autorità locali o il rivenditore e richieda la corretta modalità di smaltimento.

For details of products, please contact your nearest Yamaha representative or the authorized distributor listed below.

Pour plus de détails sur les produits, veuillez-vous adresser à Yamaha ou au distributeur le plus proche de vous figurant dans la liste suivante.

Die Einzelheiten zu Produkten sind bei Ihrer unten aufgeführten Niederlassung und bei Yamaha Vertragshändlern in den jeweiligen Bestimmungsländern erhältlich.

Para detalles sobre productos, contacte su tienda Yamaha más cercana o el distribuidor autorizado que se lista debajo.

NORTH AMERICA

CANADA

Yamaha Canada Music Ltd.
135 Milner Avenue, Toronto, Ontario,
M1S 3R1, Canada
Tel: 416-298-1311

U.S.A.

Yamaha Corporation of America
6600 Orangethorpe Avenue, Buena Park, CA 90620,
U.S.A.
Tel: 714-522-9011

CENTRAL & SOUTH AMERICA

MEXICO

Yamaha de México, S.A. de C.V.
Av. Insurgentes Sur 1647 Piso 9, Col. San José
Insurgentes, Delegación Benito Juárez, México, D.F.,
C.P. 03900
Tel: 55-5804-0600

BRAZIL

Yamaha Musical do Brasil Ltda.
Rua Joaquim Floriano, 913 - 4º andar, Itaim Bibi, CEP
04534-013 São Paulo, SP. BRAZIL
Tel: 011-3704-1377

ARGENTINA

**Yamaha Music Latin America, S.A.,
Sucursal Argentina**
Olga Cossetini 1553, Piso 4 Norte,
Madero Este-C1107CEK
Buenos Aires, Argentina
Tel: 011-4119-7000

VENEZUELA

**Yamaha Music Latin America, S.A.,
Sucursal Venezuela**
C.C. Manzanares Plaza P4
Ofic. 0401- Manzanares-Baruta
Caracas Venezuela
Tel: 58-212-943-1877

PANAMA AND OTHER LATIN AMERICAN COUNTRIES/ CARIBBEAN COUNTRIES

Yamaha Music Latin America, S.A.
Torre Banco General, Piso No.7, Marbella,
Calle 47 y Aquilino de la Guardia,
Ciudad de Panamá, República de Panamá
Tel: +507-269-5311

EUROPE

THE UNITED KINGDOM/IRELAND

Yamaha Music Europe GmbH (UK)
Sherbourne Drive, Tilbrook, Milton Keynes,
MK7 8BL, U.K.
Tel: 01908-366700

GERMANY

Yamaha Music Europe GmbH
Siemensstraße 22-34, 25462 Rellingen, Germany
Tel: 04101-3030

SWITZERLAND/LIECHTENSTEIN

**Yamaha Music Europe GmbH
Branch Switzerland in Zürich**
Seefeldstrasse 94, 8008 Zürich, Switzerland
Tel: 044-387-8080

AUSTRIA/BULGARIA

Yamaha Music Europe GmbH Branch Austria
Schleiergasse 20, A-1100 Wien, Austria
Tel: 01-60203900

CZECH REPUBLIC/HUNGARY/ ROMANIA/SLOVAKIA/SLOVENIA

**Yamaha Music Europe GmbH
Branch Austria (Central Eastern Europe Office)**
Schleiergasse 20, A-1100 Wien, Austria
Tel: 01-60203900

POLAND/LITHUANIA/LATVIA/ESTONIA

**Yamaha Music Europe GmbH
Branch Poland Office**
ul. Wrotkowa 14 02-553 Warsaw, Poland
Tel: 022-500-2925

MALTA

Olimpus Music Ltd.
The Emporium, Level 3, St. Louis Street Msida
MSD06
Tel: 02133-2144

NETHERLANDS/BELGIUM/ LUXEMBOURG

Yamaha Music Europe Branch Benelux
Clarissenhof 5-b, 4133 AB Vianen, Netherlands
Tel: 0347-358 040

FRANCE

Yamaha Music Europe
7 rue Ambroise Croizat, Zone d'activites Pariest,
77183 Croissy-Beaubourg, France
Tel: 01-64-61-4000

ITALY

Yamaha Music Europe GmbH, Branch Italy
Viale Italia 88, 20020 Lainate (Milano), Italy
Tel: 02-935-771

SPAIN/PORTUGAL

**Yamaha Music Europe GmbH Ibérica, Sucursal en
España**
Ctra. de la Coruna km. 17,200, 28231
Las Rozas (Madrid), Spain
Tel: +34-91-639-88-88

GREECE

Philippos Nakas S.A. The Music House
147 Skiathou Street, 112-55 Athens, Greece
Tel: 01-228 2160

SWEDEN/FINLAND/ICELAND

**Yamaha Music Europe GmbH Germany filial
Scandinavia**
J. A. Wettergrensgata 1, Box 30053
S-400 43 Göteborg, Sweden
Tel: +46 31 89 34 00

DENMARK

**Yamaha Music Europe GmbH, Tyskland – filial
Denmark**
Generatorvej 6A, DK-2730 Herlev, Denmark
Tel: 44 92 49 00

NORWAY

**Yamaha Music Europe GmbH Germany -
Norwegian Branch**
Grini Næringspark 1, N-1361 Østerås, Norway
Tel: 67 16 78 00

RUSSIA

Yamaha Music (Russia) LLC.
Room 37, bld. 7, Kievskaya street, Moscow,
121059, Russia
Tel: 495 626 5005

OTHER EUROPEAN COUNTRIES

Yamaha Music Europe GmbH
Siemensstraße 22-34, 25462 Rellingen, Germany
Tel: +49-4101-3030

AFRICA

Yamaha Music Gulf FZE
Office JAFZA 16-512, P.O.Box 17328,
Jebel Ali - Dubai, UAE
Tel: +971-4-881-5868

MIDDLE EAST

TURKEY

**Yamaha Music Europe GmbH
Merkezi Almanya Türkiye İstanbul Şubesi**
Maslak Meydan Sokak No:5 Spring Giz Plaza
Bağimsız Böl. No:3, 34398 Şişli İstanbul
Tel: +90-212-999-8010

CYPRUS

Yamaha Music Europe GmbH
Siemensstraße 22-34, 25462 Rellingen, Germany
Tel: 04101-3030

OTHER COUNTRIES

Yamaha Music Gulf FZE
Office JAFZA 16-512, P.O.Box 17328,
Jebel Ali - Dubai, U.A.E
Tel: +971-4-881-5868

ASIA

THE PEOPLE'S REPUBLIC OF CHINA

Yamaha Music & Electronics (China) Co.,Ltd.
2F, Yunhedasha, 1818 Xinzha-lu, Jingan-qu,
Shanghai, China
Tel: 021-6247-2211

INDIA

Yamaha Music India Pvt. Ltd.
Spazedge building, Ground Floor, Tower A, Sector 47,
Gurgaon- Sohna Road, Gurgaon, Haryana, India
Tel: 0124-485-3300

INDONESIA

PT. Yamaha Musik Indonesia (Distributor)
Yamaha Music Center Bldg. Jalan Jend. Gatot Subroto
Kav. 4, Jakarta 12930, Indonesia
Tel: 021-520-2577

KOREA

Yamaha Music Korea Ltd.
8F, 9F, Dongsung Bldg. 158-9 Samsung-Dong,
Kangnam-Gu, Seoul, Korea
Tel: 02-3467-3300

MALAYSIA

Yamaha Music (Malaysia) Sdn., Bhd.
No.8, Jalan Perbandaran, Kelana Jaya, 47301
Petaling Jaya, Selangor, Malaysia
Tel: 03-78030900

SINGAPORE

Yamaha Music (Asia) Private Limited
Block 202 Hougang Street 21, #02-00,
Singapore 530202, Singapore
Tel: 65-6747-4374

TAIWAN

Yamaha Music & Electronics Taiwan Co.,Ltd.
3F, No.6, Section 2 Nan-Jing East Road, Taipei,
Taiwan R.O.C.
Tel: 02-2511-8688

THAILAND

Siam Music Yamaha Co., Ltd.
3, 4, 15 and 16th floor, Siam Motors Building,
891/1 Rama 1 Road, Wangmai,
Pathumwan, Bangkok 10330, Thailand
Tel: 02-215-2622

VIETNAM

Yamaha Music Vietnam Company Limited
15th Floor, Nam A Bank Tower, 201-203 Cach Mang
Thang Tam St., Ward 4, Dist.3,
Ho Chi Minh City, Vietnam
Tel: +84-8-3818-1122

OTHER ASIAN COUNTRIES

**Yamaha Corporation
Sales & Marketing Division**
Nakazawa-cho 10-1, Naka-ku, Hamamatsu,
Japan 430-8650
Tel: +81-53-460-2312

OCEANIA

AUSTRALIA

Yamaha Music Australia Pty. Ltd.
Level 1, 99 Queensbridge Street, Southbank,
Victoria 3006, Australia
Tel: 3-9693-5111

COUNTRIES AND TRUST TERRITORIES IN PACIFIC OCEAN

**Yamaha Corporation
Sales & Marketing Division**
Nakazawa-cho 10-1, Naka-ku, Hamamatsu,
Japan 430-8650
Tel: +81-53-460-2312



Yamaha Pro Audio global web site
<http://www.yamahaproaudio.com/>

Yamaha Manual Library
<http://www.yamaha.co.jp/manual/>

C.S.G., PA Development Division
© 2008-2013 Yamaha Corporation

WQ38120 311MW-B0